

AKM

English **Instructions Manual**
Deutsch **Betriebsanleitung**
Italiano **Manuale di Istruzioni**
Español **Manual de Instrucciones**
Français **Manuel d'Installation**
Русский **Руководство по эксплуатации**



Edition January 2017

European Version (CE region)

 English  Deutsch  Italiano  Español  Français  Русский
Original Language is English. All other content is translated from the original language.



Keep all manuals as a product component during the life span of the product. Pass all manuals to future users and owners of the product.

Conserve el manual durante toda la vida útil del producto.

Entregue el manual a posteriores usuarios o propietarios del producto.

Сохраняйте все руководства как составную часть продукта в течение всего срока его эксплуатации. Передавайте руководство следующему пользователю или владельцу продукта.

Bewahren Sie alle Anleitungen während der gesamten Nutzungsdauer des Produkts als Produktkomponente auf. Händigen Sie alle Anleitungen künftigen Anwendern/Besitzern des Produkts aus.

Conservare il manuale per l'intera durata del prodotto. In caso di cambio di proprietà il manuale deve essere fornito al nuovo utilizzatore quale parte integrante del prodotto.

Le manuel faisant partie intégrante du produit, conservez-le pendant toute la durée de vie du produit. Remettez le manuel au futur utilisateur ou propriétaire du produit.

KOLLMORGEN

Because Motion Matters™

Record of Document Revisions

Revision	Remarks
...	Table with lifecycle information of this document (→ # 209)
05 / 2016	Feedbacks GM/GN/GP/GR mapped for AKD only, DriveCliQ power connector updated, shaft seal notes, LVD 2014/35/EU, EMCD 2014/30/EU, IP protection class updated, SpeedTec connector drawing updated, AKM and Washdown mating connectors added, keyway standard added
01/ 2017	Option KTY83-110 added, Washdown installation and mating connectors updated, AKM1 dimensions updated, DriveCliq dimensions added, Brake specification updated, Brake and feedback derating updated, Hybrid cable option updated,

Table of Contents

	Instructions Manual	English	(→ # 3)	Technical Data	(→ # 167)
	Betriebsanleitung	Deutsch	(→ # 29)	Dimension Drawings	(→ # 186)
	Manuale di Istruzioni	Italiano	(→ # 55)	Connector Pinout	(→ # 200)
	Manual de Instrucciones	Español	(→ # 83)	Approvals	(→ # 207)
	Manuel d'Installation	Français	(→ # 111)		
	Руководство по эксплуатации	Русский	(→ # 139)		

Trademarks

- EnDat is a registered trademark of Dr. Johannes Heidenhain GmbH
- HIPERFACE is a registered trademark of Max Stegmann GmbH
- DRIVE-CLiQ and SIMATIC are registered trademarks of SIEMENS Aktiengesellschaft

Technische Änderungen, die der Verbesserung der Geräte dienen, vorbehalten!

Gedruckt in der BRD. Alle Rechte vorbehalten. Kein Teil des Werkes darf in irgendeiner Form (Fotokopie, Mikrofilm oder in einem anderen Verfahren) ohne schriftliche Genehmigung der Firma Kollmorgen Europe GmbH reproduziert oder unter Verwendung elektronischer Systeme verarbeitet, vervielfältigt oder verbreitet werden.

Technical changes to improve the performance of the equipment may be made without prior notice!

Printed in the Federal Republic of Germany. All rights reserved. No part of this work may be reproduced in any form (by photocopying, microfilm or any other method) or stored, processed, copied or distributed by electronic means without the written permission of Kollmorgen Europe GmbH.

Il produttore si riserva la facoltà di apportare modifiche tecniche volte al miglioramento degli apparecchi

Stampato nella Repubblica federale tedesca. Tutti i diritti riservati. Nessuna parte di questo documento può essere rielaborata, riprodotta in qualsiasi forma (fotocopia, microfilm o altro processo) o diffusa mediante l'uso di sistemi elettronici senza l'approvazione scritta della ditta Kollmorgen Europe GmbH o rielaborata, riprodotta o diffusa mediante l'uso di sistemi elettronici.

Reservado el derecho de introducir modificaciones técnicas para la mejora de los equipos

Impreso en la RFA. Reservados todos los derechos. Prohibida la reproducción total o parcial de la presente obra por cualquier medio (fotocopia, microfilm u otros), así como su procesamiento, reproducción y divulgación por medio de sistemas electrónicos, sin expresa autorización escrita de la empresa Kollmorgen Europe GmbH.

Toutes modifications techniques concourant pour l'amélioration des appareils réservées !

Imprimé en Allemagne. Tous droits réservés. Aucune partie de l'ouvrage ne peut être reproduite sous quelque forme que ce soit (imprimée, photocopie, microfilmée ou par un autre procédé) ou encore traitée, reproduite ou diffusée au moyen de systèmes électroniques sans autorisation écrite préalable de Kollmorgen Europe GmbH.

Сохраняется право вносить технические изменения, служащие для совершенствования устройств!

Напечатано в ФРГ. Все права защищены. Без письменного согласия фирмы Kollmorgen Europe GmbH запрещается воспроизводить какие бы то ни было части данного руководства в любой форме (в печатной, в виде фотокопии, микрофильма или другим способом), а также обрабатывать, размножать или распространять их с использованием электронных систем.

1 English

1.1 General	4
1.1.1 About this manual	4
1.1.2 Abbreviations used	4
1.1.3 Symbols Used	4
1.2 Safety	5
1.2.1 You should pay attention to this	5
1.2.2 Use as directed	7
1.2.3 Prohibited use	7
1.2.4 Handling	8
1.3 Package	10
1.3.1 Delivery package	10
1.3.2 Nameplate	10
1.3.3 Model number description	11
1.4 Technical Description	15
1.4.1 General technical data	15
1.4.2 Style	15
1.4.3 Flange	15
1.4.4 Protection class	15
1.4.5 Insulation material class	16
1.4.6 Surface	16
1.4.7 Shaft end, A-side	16
1.4.8 Shaft seal	16
1.4.9 Protective device	16
1.4.10 Vibration class	17
1.4.11 Wiring technology	17
1.4.12 Holding brake	18
1.4.13 Fan for AKM7	18
1.4.14 Washdown and Washdown Food	19
1.5 Mechanical Installation	22
1.5.1 Important Notes	22
1.6 Electrical Installation	23
1.6.1 Important notes	23
1.6.2 Guide for electrical installation	24
1.6.3 Connection of the motors with preassembled cables	24
1.7 Setup	25
1.7.1 Important notes	25
1.7.2 Guide for setup	26
1.7.3 Trouble Shooting	27
1.8 Definition of Terms for Technical Data	28

1.1 General

1.1.1 About this manual

This manual describes the AKM series of synchronous servomotors (standard version). The motors are operated in drive systems together with Kollmorgen servo amplifiers. Please observe the entire system documentation, consisting of:

- Instructions manual for the servo amplifier
- Manual Bus Communication (e.g. CANopen or EtherCAT)
- Online help of the amplifier's setup software
- Regional accessories manual
- Technical description of the AKM series of motors








More background information can be found in our "Product WIKI", available at www.wiki-kollmorgen.eu.

1.1.2 Abbreviations used

NOTE

Abbreviations used for technical data see chapter "Definition of terms" (→ # 28).
In this document, the symbolism (→ # 53) means: see page 53.

1.1.3 Symbols Used

Symbol	Indication
 DANGER	Indicates a hazardous situation which, if not avoided, will result in death or serious injury.
 WARNING	Indicates a hazardous situation which, if not avoided, could result in death or serious injury.
 CAUTION	Indicates a hazardous situation which, if not avoided, could result in minor or moderate injury.
NOTICE	Indicates situations which, if not avoided, could result in property damage.
NOTE	This symbol indicates important notes.
	Warning of a danger (general). The type of danger is specified by the text next to the symbol.
	Warning of danger from electricity and its effects.
	Warning of danger from hot surface.
	Warning of suspended loads.

1.2 Safety

This section helps you to recognize and avoid dangers to people and objects.

1.2.1 You should pay attention to this

Specialist staff required!

Only properly qualified personnel are permitted to perform such tasks as transport, assembly, setup and maintenance. Qualified specialist staff are persons who are familiar with the transport, installation, assembly, commissioning and operation of motors and who bring their relevant minimum qualifications to bear on their duties:

- Transport: only by personnel with knowledge of handling electrostatically sensitive components.
- Mechanical Installation: only by mechanically qualified personnel.
- Electrical Installation: only by electrically qualified personnel.
- Setup: only by qualified personnel with extensive knowledge of electrical engineering and drive technology

The qualified personnel must know and observe IEC 60364 / IEC 60664 and national accident prevention regulations.

Read the documentation!

Read the available documentation before installation and commissioning. Improper handling of the motor can cause harm to people or damage to property. The operator must therefore ensure that all persons entrusted to work on the motor have read and understood the manual and that the safety notices in this manual are observed.

Pay attention to the technical data!

Adhere to the technical data and the specifications on connection conditions (rating plate and documentation). If permissible voltage values or current values are exceeded, the motors can be damaged, for example by overheating.

Perform a risk assessment!

The manufacturer of the machine must generate a risk assessment for the machine, and take appropriate measures to ensure that unforeseen movements cannot cause injury or damage to any person or property. Additional requirements on specialist staff may also result from the risk assessment.

Transport safely!

Lift and move motors with more than 20 kg weight (AKM7 and AKM8) only with lifting tools. Lifting unassisted could result in back injury. Always observe the hints on (→ # 8)

Secure the key!

Remove any fitted key (if present) from the shaft before letting the motor run without coupled load, to avoid the dangerous results of the key being thrown out by centrifugal forces. When delivered, the key is protected with a plastic cap.

Hot surface!

The surfaces of the motors can be very hot in operation, according to their protection category. Risk of minor burns! The surface temperature can exceed 100°C. Measure the temperature, and wait until the motor has cooled down below 40°C before touching it.



**Earthing! High voltages!**

It is vital that you ensure that the motor housing is safely earthed to the PE (protective earth) busbar in the switch cabinet. Risk of electric shock. Without low-resistance earthing no personal protection can be guaranteed and there is a risk of death from electric shock.

Not having optical displays does not guarantee an absence of voltage. Power connections may carry voltage even if the motor shaft is not rotating.

Do not unplug any connectors during operation. There is a risk of death or severe injury from touching exposed contacts. Power connections may be live even when the motor shaft is not rotating. This can cause flashovers with resulting injuries to persons and damage to the contacts.

After disconnecting the servo amplifier from the supply voltage, wait several minutes before touching any components which are normally live (e.g. contacts, screw connections) or opening any connections.

The capacitors in the servo amplifier can still carry a dangerous voltage several minutes after switching off the supply voltages. To be quite safe, measure the DC-link voltage and wait until the voltage has fallen below 60 V.

Secure hanging loads!

Built-in holding brakes do not ensure functional safety!

Hanging loads (vertical axes) require an additional, external mechanical brake to ensure personnel safety.

1.2.2 Use as directed

- The AKM series of synchronous servomotors is designed especially for drives for industrial robots, machine tools, textile and packing machinery and similar with high requirements for dynamics.
- The user is only permitted to operate the motors under the ambient conditions which are defined in this documentation.
- The use of **Washdown** motors is allowed in environments with caustic acids and bases with respect to the defined conditions on page (→ # 19).
- The use of **Washdown Food** motors is allowed in applications with indirect contact to food and beverage.
- The AKM series of motors is **exclusively** intended to be driven by servo amplifiers under speed and / or torque control.
- The motors are installed as components in electrical apparatus or machines and can only be commissioned and put into operation as integral components of such apparatus or machines.
- The thermal sensor which is integrated in the motor windings must be observed and evaluated.
- The holding brakes are designed as standstill brakes and are not suited for repeated operational braking.
- The conformity of the servo system to the standards mentioned in the CE Declaration of Conformity (→ # 207) is only guaranteed when the components (servo amplifier, motor, cables etc.) that are used have been supplied by Kollmorgen.

1.2.3 Prohibited use

- The use of the **Standard Motors** is prohibited
 - directly on mains supply networks,
 - in areas where there is a risk of explosions,
 - in contact with food and beverage,
 - in environments with caustic and/or electrically conducting acids, bases, oils, vapors, dusts.
- The use of the **Washdown Motors** is prohibited
 - directly on mains supply networks,
 - in areas where there is a risk of explosions,
 - in contact with food and beverage,
 - in environments with acids or bases with pH value below 2 or above 12,
 - in environments with acids or bases that have not been tested by Kollmorgen.
- The use of the **Washdown Food Motors** is prohibited
 - directly on mains supply networks,
 - in areas where there is a risk of explosions,
 - in direct contact with food and beverage.
- Commissioning the motor is prohibited if the machine in which it was installed
 - does not meet the requirements of the EC Machinery Directive,
 - does not comply with the EMC Directive,
 - does not comply with the Low Voltage Directive.
- Built-in holding brakes without further equipment must not be used to ensure functional safety.

1.2.4 Handling

1.2.4.1 Transport

- Climate category 2K3 according to EN61800-2, IEC 60721-3-2
- Temperature: -25...+70°C, max. 20K/hr change
- Humidity: rel. humidity 5% - 95% , no condensation
- Only by qualified personnel in the manufacturer's original recyclable packaging
- Avoid shocks, especially to the shaft end
- If the packaging is damaged, check the motor for visible damage. Inform the carrier and, if appropriate, the manufacturer.

Transport of motors with a weight of more than 20kg

Lifting eyes must be used to safely transport AKM7 and AKM8 motors (> 20kg). Observe any transport instructions included in the packaging of the motor.

We recommend the transport tool ZPZM 120/292 for moving the motors.

Suspension Unit ZPMZ 120/292 consists of a beam, suspended to the crane hook and two double-run chain suspenders.

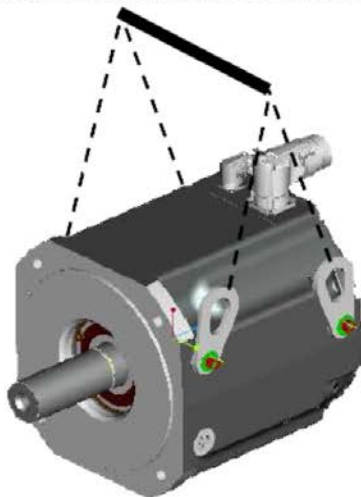


DANGER

Suspended load. Risk of death if load falls. Never step under the load, while the motor is raised.

- The fastening screws of the lifting eyes must be fully screwed in.
- The lifting eyes must be positioned on the supporting surface in an even and flat manner.
- Prior to use, check the lifting eyes for secure fitting and any obvious damages (corrosion, deformation).
- Lifting eyes with deformations must not continue to be used.

B1/ 4 x LIFTING BOLT PLUS LIFTING BEAM



B2/ 2 x LIFTING BOLT PLUS LIFTING BEAM



B3/ 2 x LIFTING BOLT PLUS LIFTING BEAM



1.2.4.2 Packaging

- Cardboard packing with Instapak® foam cushion.
- You can return the plastic portion to the supplier (see "Disposal").

Motor type	Packing	Max. stacking height	Motor type	Packing	Max. stacking height
AKM1	Cardboard	10	AKM5	Cardboard	5
AKM2	Cardboard	10	AKM6	Cardboard	1
AKM3	Cardboard	6	AKM7	Cardboard	1
AKM4	Cardboard	6	AKM8	Pallet	1

1.2.4.3 Storage

- Climate category 1K4 according to EN61800-2, IEC 60721-3-2
- Storage temperature: -25...+55°C, max. variation 20K/hr.
- Humidity: rel. humidity 5% - 95%, no condensation
- Store only in the manufacturer's original recyclable packaging
- Max. stacking height: see table in chapter "Packaging"
- Storage time: unlimited

1.2.4.4 Maintenance / Cleaning

- Maintenance and cleaning only by qualified personnel
- The ball bearings should be replaced after 20,000 hours of operation under rated conditions (by the manufacturer).
- Check the motor for bearing noise every 2500 operating hours, respectively each year. If any noises are heard, stop the operation of the motor, the bearings must be replaced (by the manufacturer).
- Opening the motor invalidates the warranty.
- If the housing is dirty, clean housing with Isopropanol or similar, do not immerse or spray

1.2.4.5 Repair / Disposal

Repair of the motor must be done by the manufacturer. Opening the motor invalidates the warranty. In accordance to the WEEE-2002/96/EG-Guidelines we take old devices and accessories back for professional disposal, if the transport costs are taken over by the sender. Send the motor to:

KOLLMORGEN Europe GmbH
 Pempelfurtstr. 1
 D-40880 Ratingen

1.3 Package

1.3.1 Delivery package

- Motor from the AKM series
- Product manual (multi language) printed, one per delivery

1.3.2 Nameplate

With standard engines the nameplate is adhesive on the housing side. With washdown motors the nameplate is engraved on the housing side, an additional nameplate is added to every motor package.

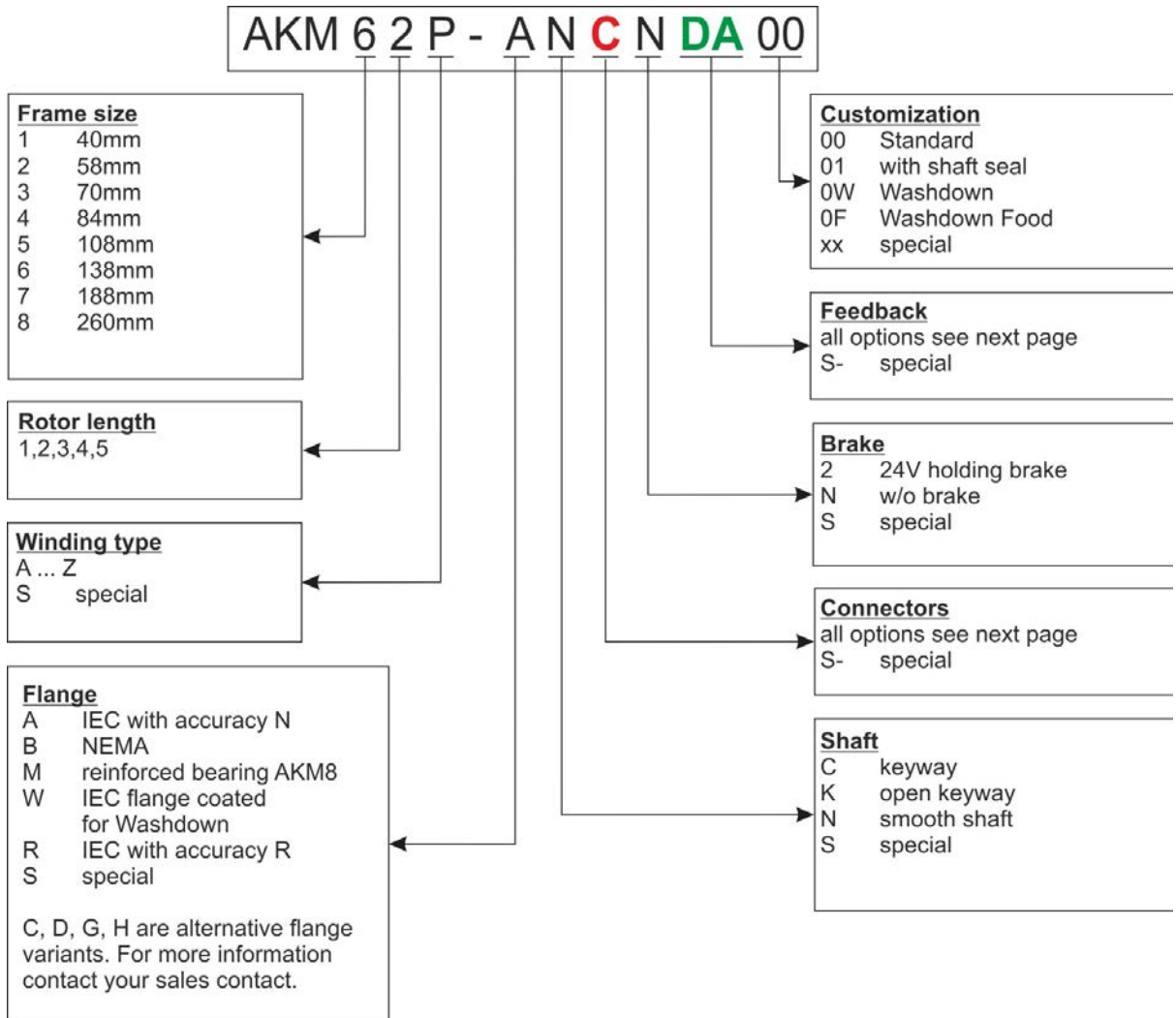


Legend:

MODEL	motor type
CUST P/N	customer part no.
Ics	I0rms (standstill current)
Tcs	M0 (standstill torque)
Vs	Un (DC bus link voltage)
Nrtd	nn (rated speed @ Un)
Prtd	Pn (rated power)
Rm	R25 (winding resistance @ 25°)
SERIAL	serial no.
AMBIENT	max. ambient temp.

Year of manufacturing is coded in the serial number: the first two digits of the serial number are the year of manufacturing, e.g. "14" means 2014.

1.3.3 Model number description



1.3.3.1 Connector Options (C)

Pinout for the connector options are listed in chapter "Connector Pinout" from (→ # 200).

Technical description of used connectors see Product Wiki ([Mating Connectors](#)).

Connector Description

Connector	Usage*	Contacts - Pins Power/Sig- nal	max. Cur- rent [A] Power/Sig- nal	max. Cross Section [mm ²] Power/Signal	Pro- tection Class	Suggested mating connector
M23 Speed- Tec Ready (Size 1)	Power & Brake	4 / 4	30 / 10	4 / 1.5	IP65	BSTA-108-NN-00-08-0036
	Feedback	- / 12	- / 10	- / 0.5	IP65	ASTA-021-NN-00-10-0035
	Feedback	- / 17	- / 9	- / 0.5	IP65	ASTA-035-NN-00-10-0035
	Hybrid*	4 / 4	30 / 10	4 / 1.5	IP65	BSTA-108-NN-00-08-0036
M40 (Size 1.5)	Power & Brake	4 / 2	75 / 30	16 / 4	IP65	CSTA-263-NN-00-26-0001
M12	DRIVE-CLiQ	- / 8	- / 2	- / 0.5	IP65	Standard Siemens Drive-ClIQ cable
M23-6	DRIVE-CLiQ	6 / -	30 / -	4 / -	IP65	
i-tec	Hybrid*	4 / 5	14 / 3.6	1.5 / 0.75	IP65	ESTB-202-NN-00-1110- 0500
y-tec	Power & Brake	4 / 5	14 / 3.6	1.5 / 0.75	IP65	ESTB-202-NN-00-31-0500
	Feedback	- / 12	- / 5	- / 0.75	IP65	ESTB-002-NN-00-31-0001
	Feedback	- / 15	- / 5	- / 0.75	IP65	ESTB-205-NN-00-31-0002
Terminal box	Power & Brake	4 / 2	150 / 15	25 / 2.5	IP65	-

* Hybrid means: Power and Feedback (plus Brake) on the same connector and in one cable

Reference Connector-Motor

PTC*	KTY 84- 130*	KTY 83- 110*	Connection	Usable with	Position of con- nection
B	1	3	2 SpeedTec Ready connectors	AKM2	Angular, rotatable, motor mounted
C	7	-	2 SpeedTec Ready connectors	AKM1-AKM2	0.5m cable mounted
C	1	3	2 SpeedTec Ready connectors	AKM3-AKM7 (≤ 23,5A)	Angular, rotatable, motor mounted
D**	-	D**	1 i-tec Hybrid connector	AKM1	Motor mounted
D**	-	D**	1 Hybrid connector SpeedTec Ready	AKM2-AKM6	Angular, rotatable, motor mounted
G	-	-	2 SpeedTec Ready connectors	AKM2-AKM6	Straight, motor mounted
H	1	3	1 power connector M40, 1 Feed- back connector SpeedTec Ready	AKM7 & AKM82T	Angular, rotatable, motor mounted
-	R**	-	1 power connector M23-6, 1 Feedback connector M12	AKM4-AKM7 (≤23,5A)	Motor mounted. M23-6 angular, rotat- able. M12 Straight.
T	2	4	1 Terminal box, 1 Feedback con- nector SpeedTec Ready	AKM8	Motor mounted
-	U**	-	1 power connector M23-6, 1 Feedback connector M12	AKM4-AKM7 (≤23,5A)	Straight, motor mounted
Y	1	3	1 y-tec connector	AKM1	Motor mounted

* Temperature sensor PTC or KTY (→ # 16)

** With connector options D, R, and U the temperature sensor type depends on the feedback, see (→ # 14)

1.3.3.2 Feedback Options (DA)

Motor length depends on the built-in feedback device, see dimension diagrams from (→ # 186).

Retrofitting is not possible. Pinout for the connector options are listed (→ # 200)(→ # 200)

Technical description of the feedback systems see Product Wiki ([MultiFeedback](#)).

Feedback Description

Code	Description	Type	Remarks	Lines per rev.	# of revs.	usable with drives
1-	Comcoder	EPC 15T	Single turn, optical	1024	1	All
2-	Comcoder	EPC 15T	Single turn, optical	2048	1	All
AA	BiSS B Encoder	AD34/AD58	Single turn, optical	2048	1	All
AB	BiSS B Encoder	AD34/AD58	Multi turn, optical	2048	4096	All
C-	SFD	Size 10/15/21	Single turn, inductive, 4 lines	11bit	1	AKD
CA	SFD3	Size 10/15/21	Single turn, inductive, 2 lines	11bit	1	AKD,S700
DA	EnDAT 2.1 Encoder	ECN1113/1313	Single turn, optical	512/2048*	1	All
DB	EnDAT 2.1 Encoder	EQN1125/1325	Multi turn, optical	512/2048*	4096	All
LA	EnDAT 2.1 Encoder	ECI1118/1319	Single turn, inductive	16/32**	1	All
LB	EnDAT 2.1 Encoder	EQI1130/1331	Multi turn, inductive	16/32**	4096	All
MA	DRIVE-CLiQ Encoder	ECN1324S	Safety Single turn, optical	24bit	1	Siemens
MB	DRIVE-CLiQ Encoder	EQN1336S	Safety Multi turn, optical	24bit	4096	Siemens
GA	HIPERFACE Encoder	SKS36	Single turn, optical	128	1	Sx
GB	HIPERFACE Encoder	SKM36	Multi turn, optical	128	4096	Sx
GC	HIPERFACE Encoder	SEK34	Single turn, capacitive	16	1	Sx
GD	HIPERFACE Encoder	SEL34	Multi turn, capacitive	16	4096	Sx
GE	HIPERFACE DSL Encoder	EKS36	Single turn, optical,	18bit	1	AKD,S700
GF	HIPERFACE DSL Encoder	EKM36	Multi turn, optical,	18bit + 12bit	4096	AKD,S700
GJ	HIPERFACE Encoder	SKS36	Single turn, optical	128	1	AKD
GK	HIPERFACE Encoder	SKM36	Multi turn, optical	128	4096	AKD
GM	Safe HIPERFACE Encoder	SKS36S	Safety, like GJ , SIL2, PLd, Cat.3	128***	1	AKD
GN	Safe HIPERFACE Encoder	SKM36S	Safety, like GK , SIL2, PLd, Cat.3	128***	4096	AKD
GP	HIPERFACE Encoder	SEK34	Single turn, capacitive	16	1	AKD
GR	HIPERFACE Encoder	SEL34	Multi turn, capacitive	16	4096	AKD
R-	Resolver	Size 10/15/21	Single turn, inductive	2 poles	1	All

* x/y data for AKM2-4/AKM5-8

** x/y data for AKM2-3/AKM4-8

*** Certificates for safety feedbacks: see Product-WIKI ([Approvals](#)) or Kollmorgen website.

Reference Feedback-Motor

Connector code (PTC/KTY83-110) Code	Feedback	B/1	C/1	C/7 (cable)	D/D Usable with AKM...	G/-	H/1	-R	T/2	-U	Y/1
1-	Comcoder	2	3-7	1-2	-	2-6	7,82T	-	8	-	1
2-	Comcoder	2	3-7	1-2	-	2-6	7,82T	-	8	-	1
AA	BiSS B	2	3-7	2	-	2-6	7,82T	-	8	-	-
AB	BiSS B	2	3-7	2	-	2-6	7,82T	-	8	-	-
C-	SFD*	2	3-7	1-2	1-6 (PTC)	2-6	7,82T	-	8	-	1
CA	SFD3	-	-	-	1-6 (KTY)	-	-	-	-	-	-
DA	EnDAT 2.1	2	3-7	2	-	2-6	7,82T	-	8	-	-
DB	EnDAT 2.1	2	3-7	2	-	2-6	7,82T	-	8	-	-
LA	EnDAT 2.1	2	3-7	2	-	2-6	7,82T	-	8	-	-
LB	EnDAT 2.1	2	3-7	2	-	2-6	7,82T	-	8	-	-
MA	DRIVE-CLiQ**	-	-	-	-	-	-	4-7	-	4-7	-
MB	DRIVE-CLiQ**	-	-	-	-	-	-	4-7	-	4-7	-
GA	Hiperface	2	3-7	2	-	2-6	7,82T	-	8	-	-
GB	Hiperface	2	3-7	2	-	2-6	7,82T	-	8	-	-
GC	Hiperface	-	-	1	-	-	-	-	-	-	1
GD	Hiperface	-	-	1	-	-	-	-	-	-	1
GE	Hiperface DSL	-	-	-	2-6 (KTY)	-	-	-	-	-	-
GF	Hiperface DSL	-	-	-	2-6 (KTY)	-	-	-	-	-	-
GJ	Hiperface	2	3-7	2	-	2-6	7,82T	-	8	-	-
GK	Hiperface	2	3-7	2	-	2-6	7,82T	-	8	-	-
GM	Safe Hiperface***	2	3-7	2	-	2-6	7,82T	-	8	-	-
GN	Safe Hiperface***	2	3-7	2	-	2-6	7,82T	-	8	-	-
GP	Hiperface	-	-	1	-	-	-	-	-	-	1
GR	Hiperface	-	-	1	-	-	-	-	-	-	1
R-	Resolver	2	3-7	1-2	-	2-6	7,82T	-	8	-	1

* no brake

** temperature sensor according to current Siemens requirements. For more information contact Kollmorgen.

*** with PTC temperature sensor only

1.4 Technical Description

1.4.1 General technical data

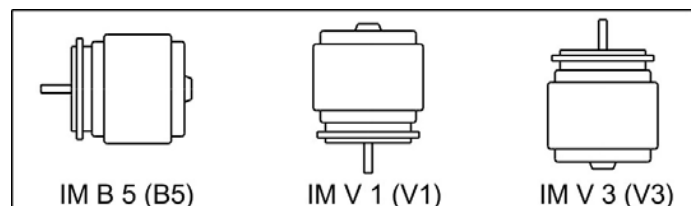
Ambient temperature (at rated values)	5...+40°C for site altitude up to 1000m amsl It is vital to consult our applications department for ambient temperatures above 40°C and encapsulated mounting of the motors.
Permissible humidity (at rated values)	95% rel. humidity, no condensation
Power derating (currents and torques)	1%/K in range 40°C...50°C up to 1000m amsl for site altitude above 1000m amsl and 40°C 6% up to 2000m amsl 17% up to 3000m amsl 30% up to 4000m amsl 55% up to 5000m amsl No derating for site altitudes above 1000m amsl with temperature reduction of 10K / 1000m
Ball-bearing life	≥ 20.000 operating hours

NOTE

Technical data for every motor type can be found in chapter "Technical Data" from (→ # 167).

1.4.2 Style

The basic style for the AKM motors is style IM B5 according to EN 60034-7.



1.4.3 Flange

IEC flange accuracy according to DIN 42955. Tolerances of shaft extension run-out and of mounting flanges for rotating electrical machines.

Code	Flange
A	IEC with accuracy N, fit AKM1: h7, fit AKM2-8: j6
R	IEC with accuracy R, fit AKM1: h7, fit AKM2-8: j6
M	IEC with accuracy N, fit j6, reinforced bearing, AKM8 only
W	IEC, fit j6, special flange coating for Washdown or Washdown Food motors
B	NEMA, dimensions see <i>AKM Selection Guide</i> (Kollmorgen website, US-English)

1.4.4 Protection class

Standard Motor	Connector Option	Shaft Seal	Protection class
AKM1	C, D	without	IP40
AKM1	C, D	with	IP65
AKM2-AKM7	B, C, D, G, H, T	without	IP54
AKM8	H, T	without	IP52
AKM2-AKM8	B, C, D, G, H, T	with	IP65
AKM2-AKM6 Washdown	B, C, D, G	with	IP67
AKM2-AKM6 Washdown Food	B, C, D, G	with	IP67

1.4.5 Insulation material class

The motors come up to insulation material class F according to IEC 60085 (UL1446 class F).

1.4.6 Surface

The motors are coated with polyester powder coating in matt black. This finish is not resistant against solvents (e.g. trichlorethylene, nitro-thinners, or similar).

1.4.7 Shaft end, A-side

Power transmission is made through the cylindrical shaft end A, fit k6 (AKM1: h7) to EN 50347, with a locking thread but **without a fitted keyway**.

Motors are also available with keyway and inserted key according to DIN 6885. The shaft with keyway is balanced with short (half) key.

Bearing life is calculated with 20.000 operating hours.

Order code	Shaft end	Available for
N	Smooth shaft	all types, standard
C	Keyway, closed	AKM 2...8
K	Keyway, open	AKM 1...8

Radial force

If the motors drive via pinions or toothed belts, then high radial forces will occur. The permissible values at the end of the shaft may be read from the diagrams in chapter "Drawings" from (→ # 186). The maximum values at rated speed you will find at the technical data from (→ # 167). Power take-off from the middle of the free end of the shaft allows a 10% increase in FR.

Axial force

When assembling pinions or wheels to the axis and use of e.g. angular gearheads axial forces arise. The maximum values at rated speed you will find at the technical data.

Coupling

Double-coned collets have proved to be ideal zero-backlash coupling devices, combined, if required, with metal bellows couplings.

1.4.8 Shaft seal

If AKM is connected to a machine flange with unsealed shaft region, then the shaft seal (option "01") ensures the shaft sealing.

- The Teflon shaft seal ensures the IP67 protection for the shaft area.
- The rated performance is achieved after some hours of shaft seal run-in. No special procedure for run-in is needed.
- Some "shedding" of Teflon material is normal and does not affect the function.
- Shaft seal operation in dry-running mode is prohibited. Contact Kollmorgen for special shaft seal solution in case the dry-running operation is required.
- Shaft seal is pre-lubricated by FDA grease.

1.4.9 Protective device

The standard version of each motor is fitted with an electrically isolated PTC (rated temperature 155°C ± 5%). The PTC does not provide any protection against short, heavy overloading.

The motor can be delivered with a KTY 83-110 or KTY 84-130 sensors optionally (see Connector Options 1, 2, 7 and D on (→ # 200)(→ # 12).

With digital feedback system SFD, SFD3, DSL (C-, CA, GE, GF) the temperature sensor status is transmitted digitally and evaluated in the drive.

Provided that our configured feedback cables are used, the sensor is integrated into the monitoring system of the digital servo amplifiers.

1.4.10 Vibration class

The motors are made to vibration class A according to EN 60034-14. For a speed range of 600-3600 rpm and a shaft center between 56-132 mm, this means that the actual value of the permitted vibration severity is 1.6 mm/s.

Velocity [rpm]	max. rel. Vibration Displacement [μm]	max. Run-out [μm]
≤ 1800	90	23
> 1800	65	16

1.4.11 Wiring technology

1.4.11.1 Connectors

Descriptions of the available connectors: (\rightarrow # 12). Connector pinout: from (\rightarrow # 200).

1.4.11.2 Wire cross sections

Power Cable, Combi Cable

Combi cables contain 4 power lines and 2 additional lines for motor holding brake control.

Cross Section		Current Carrying Capacity	Remarks
Cable	Combi Cable		
(4x1)	(4x1+(2x0.75))	$0\text{A} < I_{\text{rms}} \leq 10.1\text{A}$	The brackets (...) show the shielding. Current carrying capacity acc. to EN60204-1:2006 Table 6, Column B2
(4x1.5)	(4x1.5+(2x0.75))	$10.1\text{A} < I_{\text{rms}} \leq 13.1\text{A}$	
(4x2.5)	(4x2.5+(2x1))	$13.1\text{A} < I_{\text{rms}} \leq 17.4\text{A}$	
(4x4)	(4x4+(2x1))	$17.4\text{A} < I_{\text{rms}} \leq 23\text{A}$	
(4x6)	(4x6+(2x1))	$23\text{A} < I_{\text{rms}} \leq 30\text{A}$	
(4x10)	(4x10+(2x1.5))	$30\text{A} < I_{\text{rms}} \leq 40\text{A}$	
(4x16)	(4x16+(2x1.5))	$40\text{A} < I_{\text{rms}} \leq 54\text{A}$	
(4x25)	(4x25+(2x1.5))	$54\text{A} < I_{\text{rms}} \leq 70\text{A}$	

Feedback Cable

Type	Cross Section	Remarks
Resolver, SFD	(4x2x0.25)	
Encoder	(7x2x0.25)	BiSS, EnDAT, HIPERFACE
Comcoder	(8x2x0.25)	Incremental Encoder + Hall

Hybrid Cable

Type	Cross Section	Remarks
SFD	(4x1.0+2x(2x0.75))	4 power lines & 4 signal lines for SFD respectively
SFD	(4x1.5+2x(2x0.75))	
SFD3/DSL	(4x1.0+(2x0.34)+(2x0.75))	4 power lines & 2 brake lines & 2 signal lines for SFD3/DSL
SFD3/DSL	(4x1.5+(2x0.34)+(2x0.75))	
SFD3/DSL	(4x2.5+(2x0.34)+(2x1.0))	
SFD3/DSL	(4x4+(2x0.34)+(2x1.0))	

Technical description of Hybrid Cable see Product Wiki ([Hybrid Cables](#)).

1.4.12 Holding brake

All motors are optionally available with a holding brake. A spring applied brake (24V DC) is integrated into the motors. When this brake is de-energized it blocks the rotor.



WARNING

If there is a suspended load (vertical axes), the motor's holding brake is released, and, at the same time, the servo drive does not produce any output, the load may fall down! Risk of injury for the personnel operating the machine. Functional safety in case of hanging loads (vertical axes) can be ensured only by using an additional, external, mechanical brake.

NOTICE

The holding brakes are designed as standstill brakes and are not suited for repeated operational braking. In the case of frequent, operational braking, premature wear and failure of the holding brake is to be expected.

The motor length increases when a holding brake is mounted.

The holding brake can be controlled directly by the servo amplifier (no personal safety!), the winding is suppressed in the servo amplifier — additional circuitry is not required (see instructions manual of the servo amplifier). If the holding brake is not controlled directly by the servo drive, an additional wiring (e.g. varistor) is required. Consult our support department.

Brake data are listed in chapter "Technical Data Brakes" from (→ # 184).

1.4.13 Fan for AKM7

For the AKM7 model size, an add-on kit for forced ventilation is available. The integrated fan enables up to 30% more power output for the AKM7 motors. Assembly instructions for the fan kit is contained within the scope of delivery of the add-on kit.



The fan housing can be mounted either with both the supplied brackets and spacers or with the brackets only. The choice of mounting method depends on the application. If strong vibrations are expected, you should use both brackets and spacers. Motors with integrated brakes require the long spacers.

NOTICE

Make sure, that free air flow is available for the fan. Keep a space of at least 25 mm behind the fan guard.

The motors become dirty considerably faster due to forced convection. Dirt deposits lead to falling cooling capacity and can put the motors at risk. Dust may burn in case of overheating. So clean the air duct, the fan, and the motor at regular intervals.

By adding a fan, the mounting dimensions of AKM7 motors increase.

In case of AKM7 motors with connector option "C", winding "Q" and forced ventilation you must limit the motor current to 23,5 A for connector protection.

You can find technical information on AKM7 motors with fans (→ # 181).

You can find the dimensional drawing for AKM7 motors with fans on (→ # 195).

1.4.14 Washdown and Washdown Food

These motor variants are used in applications that are subject to strict hygiene regulations in which it is essential that the formation of nucleation and corrosion are avoided and in which machines must be cleaned cyclically.

The motors are based on the standard types AKM2 - AKM6 with special modifications for use in the food-processing industry or even in the packaging industry. In addition, it is also possible to coat the flange in each case – but then it is not possible to assure tolerance class N for the flange.

In the type code, the coating of the motor housing (type "W" for Washdown, "F" for Washdown Food) is defined separately in the version (last two digits) and the flange coating.

Washdown/Washdown Food Motor	Connector Options	Suggested mating connector	Flange Options
AKM2	B*, D*, G	Option B, C, D, G (Hummel M23 INOX connectors): Power & Brake: 7084943102 Feedback 12-pin: 7004912102	A, B, W, R
AKM3, 4, 6	C*, D*, G	Feedback 18-pin: 7003917102	A, B, W, R
AKM5	C*, D*, G		B, C, W

NOTICE

* Do not turn the connector on the motor more than +/- 180 °, greater rotation angle will damage the internal connections.

1.4.14.1 Washdown

AKM^{AAA}_{AAAA}^{AW} Washdown without flange coating
 AKM^{AAA}_{WAAAA}^{AW} Washdown with flange coating of IEC A flange

NOTE

The Washdown motors must not come into contact with any unpacked foodstuffs.

Application Area: Harsh environments, outdoors
Example: Transport in the foodstuff and packing area without contact with foodstuff, radar stations, wind turbines, offshore installations
Standards: UL, CE, RoHS
Surface: Silver coating
Immunity: Against tested industrial cleaning agent (→ #20), corrosion-proof
Degree of protection: IP67
Shaft: Stainless steel
Rotary shaft seal: PTFE
Lubricant: Industrial bearing grease, non-food-grade
Connector: Stainless steel, smooth surface
Screws: Stainless Steel
Name plate: Engraved, additional nameplate in the package
Size: AKM2 - AKM6

1.4.14.2 Washdown Food

AKM ^{AAA} - ^{AAAA} - ^A F	Washdown Food without flange coating
AKM ^{AAA} - ^W ^{AAAA} - ^A F	Washdown Food with flange coating of IEC A flange

NOTE

The surface of the Washdown food motor has passed all tests as per FDA GlobalMigration for indirect contact with foodstuffs. Any direct contact with unpacked foodstuffs is not permitted.

Application Area:	Foodstuffs and drinks industry, no direct contact with unpacked foodstuff
Example:	Cutting, packing and filling without direct contact with foodstuffs. Motor laterally or below the food.
Standards:	UL, CE, RoHS, FDA
Surface:	White coating
Immunity:	Against tested industrial cleaning agent (→ # 20), corrosion-proof
Global Migration:	US FDA Regulations 21 CFR 175.300, Condition of Use E
Degree of protection:	IP67
Shaft:	Stainless steel
Rotary shaft seal:	PTFE as per FDA
Lubricant:	food-grade as per FDA
Connector:	Stainless steel, smooth surface
Screws:	Stainless Steel
Name plate:	Engraved, additional nameplate in the package
Size:	AKM2 - AKM6

1.4.14.3 Tested and confirmed properties with respect to cleaning agents

The testing lab of ECOLAB Deutschland GmbH tested the resistance of the Washdown and Washdown Food surfaces to the following industrial cleaning agents:

- P3-topactive DES
- P3-topactive LA
- P3-topax 56
- P3-topax 66
- P3-topax 91

In the process, the surfaces were immersed in the respective cleaning agent at room temperature for 28 days. This corresponds to approx. 2,500 cleaning cycles with 15-minute contact each with the cleaning agent or 1,500 cleaning cycles with cleaning and subsequent disinfection.

The certificates are located in our Product WIKI on the [Approvals](#) page.

NOTICE

Kollmorgen can only give a guarantee for the motor's lifecycle if the tested cleansing agents are used. Any cleansing agent other than those mentioned above can be tested by Kollmorgen upon request and, if appropriate, be approved.

1.4.14.4 Installation and operating conditions

- The motors may be used only in ambient temperatures up to 50 °C.
- If the front flange is coated, the tolerance class N is not guaranteed.

NOTICE

Motors with flanges without wash-down coating: The flange surface must be protected by suitable assembly against the influence by cleaning agents.

NOTICE

During mounting and operation protect the motor from mechanical effects which can cause the scratches or cracks on the painted surface. The mishandling increases risk of corrosion.

1.4.14.5 Cleaning plan

Recommended cleaning plan (short form) with tested cleaning agents:

Flushing with water (40 °... 50 °C)

Flushing with low pressure. From top to bottom in the direction of the drain. Clean the drain.

Foam cleaning

Foaming from top to bottom.

Alkaline:	P3-topactive LA or P3-topax 66 (2-5%, 15 min daily)
Acid:	P3-topax 56 (2%, if necessary 15 min)
Temperature:	cold up to 40 °C

Disinfection

Spraying with water (40 °... 50 °C) with low pressure. From top to bottom.

Spray disinfection:	P3-topax 91 (1-2%, if necessary 30-60 min)
Foam disinfection:	P3-topactiv DES (1-3%, if necessary 10-30 min)

1.5 Mechanical Installation

NOTE

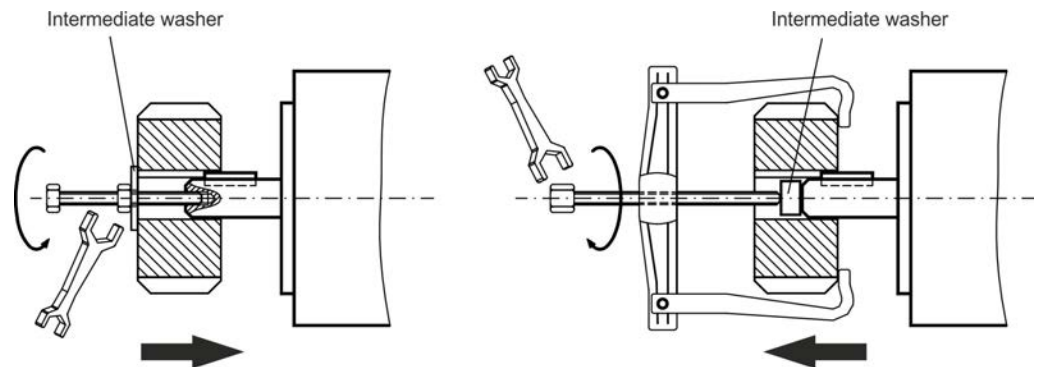
Dimension drawings can be found in chapter "Dimension Drawings" (→ # 186).

1.5.1 Important Notes

NOTE

Only qualified staff with knowledge of mechanical engineering are permitted to assemble the motor.

- Protect the motor from unacceptable stresses. During transport and handling no components must be damaged.
- The site must be free of conductive and aggressive material. For V3-mounting (shaft end upwards), make sure that no liquids can enter the bearings. If an encapsulated assembly is required, please consult Kollmorgen beforehand.
- Ensure an unhindered ventilation of the motors and observe the permissible ambient and flange temperatures. For ambient temperatures above 40°C please consult our applications department beforehand. Ensure that there is adequate heat transfer in the surroundings and the motor flange.
- Motor flange and shaft are especially vulnerable during storage and assembly - so avoid brute force. It is important to use the locking thread which is provided to tighten up couplings, gear wheels or pulley wheels and warm up the drive components, where possible. Blows or the use of force will lead to damage to the bearings and the shaft.



- Wherever possible, use only backlash-free, frictionally-locking collets or couplings. Ensure correct alignment of the couplings. A displacement will cause unacceptable vibration and the destruction of the bearings and the coupling.
- In all cases, do not create a mechanically constrained motor shaft mounting by using a rigid coupling with additional external bearings (e.g. in a gearbox).
- Take note of the no. of motor poles and the no. of resolver poles, and ensure that the correct setting is made in the servo amplifier which is used. An incorrect setting can lead to the destruction of the motor, especially with small motors.
- Avoid axial loads on the motor shaft, as far as possible. Axial loading significantly shortens the life of the motor.
- Check the compliance to the permitted radial and axial forces F_R and F_A . When you use a toothed belt drive, the minimal permitted diameter of the pinion e.g. follows from the equation: $d_{\min} \geq (M_0/F_R) \cdot 2$

1.6 Electrical Installation

NOTE

Pinout for the connector can be found in chapter "Connector Pinout" from (→ # 186). Pinout of the servo amplifier's end can be found in the instructions manual of the servo amplifier.

1.6.1 Important notes

NOTE

Only staff qualified and trained in electrical engineering are allowed to wire up the motor.



DANGER



Always make sure that the motors are de-energized during assembly and wiring, i.e. no voltage may be switched on for any piece of equipment which is to be connected.

There is a risk of death or severe injury from touching exposed contacts. Ensure that the switch cabinet remains turned off (barrier, warning signs etc.). The individual voltages will only be turned on again during setup.

Never undo the electrical connections to the motor while it is energized. Risk of electric shock! In unfavorable circumstances, electric arcs can arise causing harm to people and damaging contacts.

A dangerous voltage, resulting from residual charge, can be still present on the capacitors up to 10 minutes after switch-off of the mains supply. Even when the motor is not rotating, control and power leads may be live. Measure the DC-link voltage and wait until it has fallen below 60V.

NOTE

The ground symbol , which you will find in the wiring diagrams, indicates that you must provide an electrical connection, with as large a surface area as possible, between the unit indicated and the mounting plate in the switch cabinet. This connection is to suppress HF interference and must not be confused with the PE (protective earth) symbol  (protective measure to EN 60204).

To wire up the motor, use the wiring diagrams in the Installation and Setup Instructions of the servo amplifier which is used.

1.6.2 Guide for electrical installation

- Check that the servo amplifier and motor match each other. Compare the rated voltage and rated current of the unit. Carry out the wiring according to the wiring diagram in the instructions manual of the servo amplifier. The connections to the motor are shown in chapter "Connector Pinout" from (→ # 186).
- Install all cables carrying a heavy current with an adequate cross-section, as per EN 60204. The recommended cross-section can be found in the Technical data.

NOTE

In case of long motor cables (>25m) and dependent on the type of the used servo amplifier a motor choke (3YL or 3YLN) must be switched into the motor cable (see instructions manual of the servo amplifier and accessory manual).

- Ensure that there is proper earthing of the servo amplifier and the motor. Use correct earthing and EMC-shielding according to the instructions manual of the servo amplifier which is used. Earth the mounting plate and motor casing.
- If a motor power cable is used which includes integral brake control leads, then these brake control leads must be shielded. The shielding must be connected at both ends (see instructions manual of the servo amplifier).
- Cabling:
 - Route power cables as separately as possible from control cables
 - Connect up the resolver or encoder.
 - Connect the motor cables, install motor chokes close to the amplifier
 - Connect shields to shielding terminals or EMC connectors at both ends
 - Connect the holding brake, if used
 - Connect shielding at both ends.
- Connect up all shielding via a wide surface-area contact (low impedance) and metallized connector housings or EMC-cable glands.
- Requirements to cable material:

Capacity
 Motor cable: less than 150 pF/m
 Resolver cable: less than 120 pF/m

1.6.3 Connection of the motors with preassembled cables

- Carry out the wiring in accordance with the valid standards and regulations.
- Only use Kollmorgen preassembled shielded cables for the resolver and power connections.
- Incorrectly installed shielding leads to EMC interference and has an adverse effect on system function.
- The maximum cable length is defined in the instructions manual of the used servo amplifier.

NOTE

For a detailed description of configured cables, please refer to the regional accessories manual.

1.7 Setup

1.7.1 Important notes

NOTE

Only specialist personnel with extensive knowledge in the areas of electrical engineering / drive technology are allowed to commission the drive unit of servo amplifier and motor.

**DANGER**

Deadly voltages can occur, up to 900 V. Risk of electric shock! Check that all live connection points are safe against accidental contact.

Never undo the electrical connections to the motor when it is live. Risk of electric shock! The residual charge in the capacitors of the drive can produce dangerous voltages up to 10 minutes after the mains supply has been switched off.

Even when the motor is not rotating, control and power leads may be live. Measure the DC-link voltage and wait until it has fallen below 60 V.

**CAUTION**

The surface temperature of the motor can exceed 100°C in operation. Danger of light burns! Check (measure) the temperature of the motor. Wait until the motor has cooled down below 40°C before touching it.

**CAUTION**

The drive performing unplanned movements during commissioning cannot be ruled out.

Make sure that, even if the drive starts to move unintentionally, no danger can result for personnel or machinery.

The measures you must take in this regard for your task are based on the risk assessment of the application.

1.7.2 Guide for setup

The procedure for setup is described as an example. A different method may be appropriate or necessary, depending on the application of the equipment.

1. Check the assembly and orientation of the motor.
2. Check the drive components (clutch, gear unit, belt pulley) for the correct seating and setting (observe the permissible radial and axial forces).
3. Check the wiring and connections to the motor and the servo amplifier. Check that the earthing is correct.
4. Test the function of the holding brake, if used. (apply 24 V, brake must be released).
5. Check whether the rotor of the motor revolves freely (release the brake, if necessary). Listen out for grinding noises.
6. Check that all the required measures against accidental contact with live and moving parts have been carried out.
7. Carry out any further tests which are specifically required for your system.
8. Now commission the drive according to the setup instructions for the servo amplifier.
9. In multi-axis systems, individually commission each drive unit (amplifier and motor).

1.7.3 Trouble Shooting

The following table is to be seen as a “First Aid” box. There can be a large number of different reasons for a fault, depending on the particular conditions in your system. The fault causes described below are mostly those which directly influence the motor. Peculiarities which show up in the control loop behaviour can usually be traced back to an error in the parameterization of the servo amplifier. The documentation for the servo amplifier and the setup software provides information on these matters.

For multi-axis systems there may be further hidden reasons for faults.

Fault	Possible cause	Measures to remove the cause of the fault
Motor doesn't rotate	<ul style="list-style-type: none"> — Servo-amplifier not enabled — Break in setpoint lead — Motor phases in wrong sequence — Brake not released — Drive is mechanically blocked 	<ul style="list-style-type: none"> — Supply ENABLE signal — Check setpoint lead — Correct the phase sequence — Check brake controls — Check mechanism
Motor runs away	<ul style="list-style-type: none"> — Motor phases in wrong sequence 	<ul style="list-style-type: none"> — Correct the phase sequence
Motor oscillates	<ul style="list-style-type: none"> — Break in the shielding of the resolver cable — amplifier gain to high 	<ul style="list-style-type: none"> — Replace resolver cable — use motor default values
Error message: brake	<ul style="list-style-type: none"> — Short-circuit in the supply voltage lead to the motor holding brake — Faulty motor holding brake 	<ul style="list-style-type: none"> — Remove the short-circuit — Replace motor
Error message: output stage fault	<ul style="list-style-type: none"> — Motor cable has short-circuit or earth short — Motor has short-circuit or earth short 	<ul style="list-style-type: none"> — Replace cable — Replace motor
Error message: resolver	<ul style="list-style-type: none"> — Resolver connector is not properly plugged in — Break in resolver cable, cable crushed or similar 	<ul style="list-style-type: none"> — Check connector — Check cables
Error message: motor temperature	<ul style="list-style-type: none"> — Motor thermosensor has switched — Loose resolver connector or break in resolver cable 	<ul style="list-style-type: none"> — Wait until the motor has cooled down. Then investigate why the motor becomes so hot. — Check connector, replace resolver cable if necessary
Brake does not grip	<ul style="list-style-type: none"> — Required holding torque too high — Brake faulty — Motor shaft axially overloaded 	<ul style="list-style-type: none"> — Check the dimensioning — Replace motor — Check the axial load, reduce it. Replace motor, since the bearings have been damaged

1.8 Definition of Terms for Technical Data

NOTE

Technical data for every motor type can be found in chapter "Technical Data" (→ # 167).

All data valid for 40°C environmental temperature and 100K overtemperature of the winding. Determination of nominal dates with constant temperature of adapter flange of 65°C. The data can have a tolerance of +/- 10%.

Standstill torque M_0 [Nm]

The standstill torque can be maintained indefinitely at a speed $0 < n < 100$ rpm and rated ambient conditions.

Rated torque M_n [Nm]

The rated torque is produced when the motor is drawing the rated current at the rated speed. The rated torque can be produced indefinitely at the rated speed in continuous operation (S1).

Standstill current I_{0rms} [A]

The standstill current is the effective sinusoidal current which the motor draws at $0 < n < 100$ rpm to produce the standstill torque.

Peak current (pulse current) I_{0max} [A]

The peak current (effective sinusoidal value) is several times the rated current depending on the motor winding. The actual value is determined by the peak current of the drive which is used.

Torque constant K_{Trms} [Nm/A]

The torque constant defines how much torque in Nm is produced by the motor with 1A r.m.s. current. The relationship is $M = I \times K_T$ (up to $I = 2 \times I_0$).

Voltage constant K_{Erms} [mV/min⁻¹]

The voltage constant defines the induced motor EMF, as an effective sinusoidal value between two terminals, per 1000 rpm. Measured at 25°C.

Rotor moment of inertia J [kgcm²]

The constant J is a measure of the acceleration capability of the motor. For instance, at I_0 the acceleration time t_b from 0 to 3000 rpm is given as:

$$t_b \left[s \right] = \frac{3000 \cdot 2\pi}{M_0 \cdot 60s} \cdot \frac{m^2}{10^4 \cdot cm^2} \cdot J \quad \text{with } M_0 \text{ in Nm and } J \text{ in kgcm}^2$$

Thermal time constant t_{th} [min]

The constant t_{th} defines the time for the cold motor, under a load of I_0 , to heat up to an over-temperature of 0.63×105 Kelvin. This temperature rise happens in a much shorter time when the motor is loaded with the peak current.

Release delay time t_{BRH} [ms] / Engage delay time t_{BRL} [ms] of the brake

These constants define the response times of the holding brake when operated with the rated voltage from the servo amplifier.

U_N

Rated mains voltage

U_n

DC-Bus link voltage. $U_n = \sqrt{2} \cdot U_N$

2 Deutsch

2.1 Allgemeines	30
2.1.1 Über dieses Handbuch	30
2.1.2 Verwendete Abkürzungen	30
2.1.3 Verwendete Symbole	30
2.2 Sicherheit	31
2.2.1 Das sollten Sie beachten	31
2.2.2 Bestimmungsgemäße Verwendung	33
2.2.3 Nicht bestimmungsgemäße Verwendung	33
2.2.4 Handhabung	34
2.3 Produktidentifizierung	36
2.3.1 Lieferumfang	36
2.3.2 Typenschild	36
2.3.3 Typenschlüssel	37
2.4 Technische Beschreibung	41
2.4.1 Allgemeine technische Daten	41
2.4.2 Bauform	41
2.4.3 Flansch	41
2.4.4 Schutzart	41
2.4.5 Isolierstoffklasse	42
2.4.6 Oberfläche	42
2.4.7 Wellenende A-Seite	42
2.4.8 Wellendichtung	42
2.4.9 Schutzeinrichtung	42
2.4.10 Schwinggüte	43
2.4.11 Anschlusstechnik	43
2.4.12 Haltebremse	44
2.4.13 Lüfter für AKM7	44
2.4.14 Washdown und Washdown Food	45
2.5 Mechanische Installation	48
2.5.1 Wichtige Hinweise	48
2.6 Elektrische Installation	49
2.6.1 Wichtige Hinweise	49
2.6.2 Leitfaden für die elektrische Installation	50
2.6.3 Anschluss der Motoren mit vorkonfektionierten Kabeln	50
2.7 Inbetriebnahme	51
2.7.1 Wichtige Hinweise	51
2.7.2 Leitfaden für die Inbetriebnahme	52
2.7.3 Beseitigen von Störungen	53
2.8 Begriffsdefinitionen der technischen Daten	54

2.1 Allgemeines

2.1.1 Über dieses Handbuch

Dieses Handbuch beschreibt die Synchron-Servomotoren der Serie AKM (Standardausführung). Die Motoren werden im Antriebssystem zusammen mit den Kollmorgen Servoverstärkern betrieben. Beachten Sie daher die gesamte Dokumentation des Systems, bestehend aus:

- Betriebsanleitung des Servoverstärkers
- Handbuch Bus-Kommunikation (z.B CANopen oder EtherCAT)
- Online Hilfe der Inbetriebnahmesoftware des Servoverstärkers
- Regionales Zubehörhandbuch
- Betriebsanleitung Motorserie AKM (dieses Handbuch)









Weitere Hintergrundinformationen finden Sie im "Produkt-WIKI" (www.wiki-kollmorgen.eu).

2.1.2 Verwendete Abkürzungen



Verwendete Kürzel für technische Daten siehe Kapitel "Begriffsdefinitionen" (→ # 54). Die Symbolik (→ # 29) bedeutet in diesem Dokument : "siehe Seite 29".

2.1.3 Verwendete Symbole

Symbol	Bedeutung
 GEFAHR	Weist auf eine gefährliche Situation hin, die, wenn sie nicht vermieden wird, zum Tode oder zu schweren, irreversiblen Verletzungen führen wird.
 WARNUNG	Weist auf eine gefährliche Situation hin, die, wenn sie nicht vermieden wird, zum Tode oder zu schweren, irreversiblen Verletzungen führen kann.
 VORSICHT	Weist auf eine gefährliche Situation hin, die, wenn sie nicht vermieden wird, zu leichten Verletzungen führen kann.
ACHTUNG	Dieses Symbol weist auf eine Situation hin, die, wenn sie nicht vermieden wird, zu Beschädigung von Sachen führen kann.
 INFO	Dieses Symbol weist auf wichtige Informationen hin.
	Warnung vor einer Gefahr (allgemein). Die Art der Gefahr wird durch den nebenstehenden Warntext spezifiziert.
	Warnung vor gefährlicher elektrischer Spannung und deren Wirkung.
	Warnung vor heißer Oberfläche.
	Warnung vor hängender Last.

2.2 Sicherheit

Dieses Kapitel hilft Ihnen, Gefahren zu erkennen und zu vermeiden.

2.2.1 Das sollten Sie beachten

Fachpersonal erforderlich!

Nur qualifiziertes Fachpersonal darf Arbeiten wie Transport, Montage, Inbetriebnahme und Instandhaltung ausführen. Qualifiziertes Fachpersonal sind Personen, die mit Transport, Aufstellung, Montage, Inbetriebnahme und Betrieb von Motoren vertraut sind und über die ihrer Tätigkeit entsprechenden Mindestqualifikationen verfügen:

- Transport: nur durch Personal mit Kenntnissen in der Behandlung elektrostatisch gefährdeter Bauelemente
- Mech. Installation: nur durch Fachleute mit maschinenbautechnischer Ausbildung.
- Elektr. Installation: nur durch Fachleute mit elektrotechnischer Ausbildung.
- Inbetriebnahme: nur durch Fachleute mit weitreichenden Kenntnissen in den Bereichen Elektrotechnik / Antriebstechnik

Das Fachpersonal muss ebenfalls IEC 60364 / IEC 60664 und nationale Unfallverhütungsvorschriften kennen und beachten.

Dokumentation lesen!

Lesen Sie vor der Montage und Inbetriebnahme die vorliegende Dokumentation. Falsches Handhaben des Motors kann zu Personen- oder Sachschäden führen. Der Betreiber muss daher sicherstellen, dass alle mit Arbeiten am Motor betrauten Personen das Handbuch gelesen und verstanden haben und dass die Sicherheitshinweise in diesem Handbuch beachtet werden.

Technische Daten beachten!

Halten Sie die technischen Daten und die Angaben zu den Anschlussbedingungen (Typenschild und Dokumentation) ein. Wenn zulässige Spannungswerte oder Stromwerte überschritten werden, können die Motoren z.B. durch Überhitzung geschädigt werden.

Risikobeurteilung erstellen!

Der Maschinenhersteller muss eine Risikobeurteilung für die Maschine erstellen und geeignete Maßnahmen treffen, dass unvorhergesehene Bewegungen nicht zu Schäden an Personen oder Sachen führen können. Aus der Risikobeurteilung leiten sich eventuell auch zusätzliche Anforderungen an das Fachpersonal ab.

Sicher transportieren!

Heben und bewegen Sie Motoren mit mehr als 20kg Gewicht (AKM7 und AKM8) nur mit Hilfe von Hebevorrichtungen. Heben ohne Hilfsmittel kann zu Rückenverletzungen führen. Beachten Sie die Hinweise auf (→ # 34)

Passfeder sichern!

Entfernen oder sichern Sie eine eventuell vorhandene Wellen-Passfeder, falls der Motor ohne angekoppelte Last laufen soll, um ein Wegschleudern der Passfeder und die damit verbundene Verletzungsgefahr zu vermeiden. Im Auslieferungszustand ist die Passfeder mit einer Kunststoffkappe gesichert.



Heiße Oberfläche!

Während des Betriebes können Motoren ihrer Schutzart entsprechend heiße Oberflächen besitzen. Leichte Verbrennungsgefahr! Die Oberflächentemperatur kann 100°C überschreiten. Messen Sie die Temperatur und warten Sie, bis der Motor auf 40°C abgekühlt ist, bevor Sie ihn berühren.



Erdung! Hohe Spannungen!

Stellen Sie die ordnungsgemäße Erdung des Motors mit der PE-Schiene im Schaltschrank als Bezugspotential sicher. Ohne niederohmige Erdung ist keine personelle Sicherheit gewährleistet und es besteht Lebensgefahr durch elektrischen Schlag.

Das Fehlen von optische Anzeigen gewährleisten nicht die Spannungsfreiheit.

Leistungsanschlüsse können Spannung führen, auch wenn sich der Motor nicht dreht.

Ziehen Sie keine Stecker während des Betriebs. Es besteht die Gefahr von Tod oder schweren gesundheitlichen Schäden beim Berühren freiliegender Kontakte. In ungünstigen Fällen können Lichtbögen entstehen und Personen und Kontakte schädigen.

Warten Sie nach dem Trennen der Servoverstärker von den Versorgungsspannungen mehrere Minuten, bevor Sie spannungsführende Teile (z.B. Kontakte, Gewindebolzen) berühren oder Anschlüsse lösen.

Kondensatoren im Servoverstärker führen mehrere Minuten nach Abschalten der Versorgungsspannungen gefährliche Spannungen. Messen Sie zur Sicherheit die Spannung im Zwischenkreis und warten Sie, bis die Spannung unter 60V abgesunken ist.



Hängende Lasten sichern!

Eingebaute Haltebremsen sind nicht funktional sicher. Insbesondere bei hängender Last (Vertikalachsen) kann die funktionale Sicherheit nur mit einer zusätzlichen, externen mechanischen Bremse erreicht werden.

2.2.2 Bestimmungsgemäße Verwendung

- Synchron-Servomotoren der Serie AKM sind insbesondere als Antrieb für Handhabungsgeräte, Textilmaschinen, Werkzeugmaschinen, Verpackungsmaschinen und ähnliche mit hohen Ansprüchen an die Dynamik konzipiert.
- Sie dürfen die Motoren nur unter Berücksichtigung der in dieser Dokumentation definierten Umgebungsbedingungen betreiben.
- Der Betrieb von **Washdown** Motoren ist in Umgebungen mit ätzenden Säuren und Laugen unter Berücksichtigung der auf Seite (→ # 45) definierten Bedingungen erlaubt.
- Der Betrieb von **Washdown Food** Motoren ist in Applikationen mit indirektem Kontakt zu Lebensmitteln erlaubt.
- Die Motoren der Serie AKM sind **ausschließlich** dazu bestimmt, von digitalen Servoverstärkern drehzahl- und/oder drehmomentgeregelt angesteuert zu werden.
- Die Motoren werden als Bauteile in elektrische Anlagen oder Maschinen eingebaut und dürfen nur als integrierte Bauteile der Anlage in Betrieb genommen werden.
- Der in die Motorwicklungen eingebaute Thermoschutzsensor muss ausgewertet und überwacht werden.
- Eingebaute Haltebremsen sind als Stillstandsbremsen ausgelegt und für dauernde, betriebsmäßige Abbremsvorgänge ungeeignet.
- Die Konformität des Servosystems zu den in der EG-Konformitätserklärung (→ # 207) genannten Normen garantieren wir nur, wenn von uns gelieferte Komponenten (Servoverstärker, Motor, Leitungen usw.) verwendet werden.

2.2.3 Nicht bestimmungsgemäße Verwendung

- Der Betrieb von **Standard** Motoren ist verboten
 - direkt am Netz,
 - in explosionsgefährdeten Bereichen,
 - im Kontakt mit Lebensmitteln,
 - in Umgebungen mit ätzenden und/oder elektrisch leitenden Säuren, Laugen, Ölen, Dämpfen, Stäuben.
- Der Betrieb von **Washdown** Motoren ist verboten
 - direkt am Netz,
 - in explosionsgefährdeten Bereichen,
 - im Kontakt mit Lebensmitteln,
 - in Umgebungen mit Säuren oder Laugen mit PH Wert kleiner 2 oder größer 12,
 - in Umgebungen mit Säuren oder Laugen die nicht von Kollmorgen getestet wurden.
- Der Betrieb von **Washdown Food** Motoren ist verboten
 - direkt am Netz,
 - in explosionsgefährdeten Bereichen,
 - im direkten Kontakt mit Lebensmitteln.
- Der bestimmungsgemäße Betrieb des Motors ist untersagt, wenn die Maschine, in die er eingebaut wurde,
 - nicht den Bestimmungen der EG Maschinenrichtlinie entspricht,
 - nicht die Bestimmung der EMV-Richtlinie erfüllt,
 - nicht die Bestimmung der Niederspannungs-Richtlinie erfüllt.
- Eingebaute Haltebremsen alleine dürfen nicht für die Sicherstellung der funktionalen Sicherheit benutzt werden.

2.2.4 Handhabung

2.2.4.1 Transport

- Klimaklasse 2K3 nach EN61800-2, IEC 60721-3-2
- Temperatur: -25..+70°C, max. 20K/Stunde schwankend
- Luftfeuchtigkeit: relative Feuchte 5% ... 95% nicht kondensierend
- Nur von qualifiziertem Personal in der Original-Verpackung des Herstellers
- Vermeiden Sie harte Stöße, insbesondere auf das Wellenende
- Überprüfen Sie bei beschädigter Verpackung den Motor auf sichtbare Schäden. Informieren Sie den Transporteur und gegebenenfalls den Hersteller.

Transport von Motoren über 20kg Gewicht

Verwenden Sie für den sicheren Transport der Motoren AKM7 und AKM8 (>20kg) die beiliegenden Hebeösen. Beachten Sie die in der Motorverpackung beiliegende Anweisungen für den Transport.

Als Zubehör zum Transport der Motoren empfehlen wir die Transportvorrichtung ZPMZ 120/292.

Die Transportvorrichtung ZPMZ 120/292 besteht aus einer Traverse, die am Kranhaken eingehängt wird und zwei zweiadrigen Kettenanschlügen.

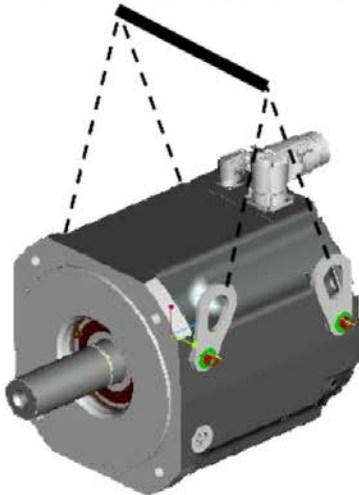


GEFAHR

Schwebende Last. Lebensgefahr wenn die Last abstürzt. Treten Sie während des Hebevorgangs niemals unter die Last!

- die Befestigungsschrauben der Hebeösen müssen vollständig eingedreht sein
- die Hebeösen müssen eben und vollflächig auf der Auflagefläche aufliegen
- Die Hebeösen vor dem Gebrauch auf festen Sitz und augenfällige Beschädigungen (Korrosion, Verformung) überprüfen.
- Hebeösen mit Verformungen dürfen nicht weiterbenutzt werden.

B1/ 4 x LIFTING BOLT PLUS LIFTING BEAM



B2/ 2 x LIFTING BOLT PLUS LIFTING BEAM



B3/ 2 x LIFTING BOLT PLUS LIFTING BEAM



2.2.4.2 Verpackung

- Kartonverpackung mit Instapak®-Ausschäumung.
- Den Kunststoffanteil können Sie an den Lieferanten zurückgeben

Motortyp	Verpackung	Max. Stapelhöhe	Motortyp	Verpackung	Max. Stapelhöhe
AKM1	Karton	10	AKM5	Karton	5
AKM2	Karton	10	AKM6	Karton	1
AKM3	Karton	6	AKM7	Karton	1
AKM4	Karton	6	AKM8	Mini-Palette	1

2.2.4.3 Lagerung

- Klimaklasse 1K4 nach EN61800-2, IEC 60721-3-2
- Lagertemperatur-25...+55°C, max. 20K/Stunde schwankend
- Luftfeuchtigkeitrelative Feuchte 5% ... 95% nicht kondensierend
- Nur in der Originalverpackung des Herstellers lagern
- Max. Stapelhöhe:siehe Tabelle in Kapitel "Verpackung"
- Lagerdauer:ohne Einschränkung

2.2.4.4 Wartung / Reinigung

- Wartung und Reinigung nur von qualifiziertem Personal.
- Nach 20.000 Betriebsstunden unter Nennbedingungen sollten die Kugellager erneuert werden (vom Hersteller).
- Prüfen Sie den Motor alle 2500 Betriebsstunden bzw. einmal jährlich auf Kugellagergeräusche. Wenn Sie Geräusche feststellen, darf der Motor nicht weiterbetrieben werden - die Lager müssen vom Hersteller erneuert werden.
- Öffnen der Motoren bedeutet den Verlust der Gewährleistung.
- Gehäusereinigung mit Isopropanol o.ä., nicht tauchen oder absprühen.

2.2.4.5 Reparatur / Entsorgung

Reparaturen des Motors darf nur der Hersteller durchführen, Öffnen der Geräte bedeutet Verlust der Gewährleistung. Gemäß der WEEE-2002/96/EG-Richtlinien nehmen wir Altgeräte und Zubehör zur fachgerechten Entsorgung zurück, sofern die Transportkosten vom Absender übernommen werden. Schicken Sie den Motor an:

KOLLMORGEN Europe GmbH
 Pempelfurtstr. 1
 D-40880 Ratingen

2.3 Produktidentifizierung

2.3.1 Lieferumfang

- Motor der Serie AKM
- Produkthandbuch gedruckt, mehrsprachig, einmal pro Lieferung

2.3.2 Typenschild

Bei Standardmotoren ist das Typenschild unverlierbar seitlich auf das Gehäuse geklebt. Bei Washdown Motoren ist das Typenschild seitlich in das Gehäuse eingraviert, je Verpackungseinheit liegt ein zusätzliches Typenschild bei.

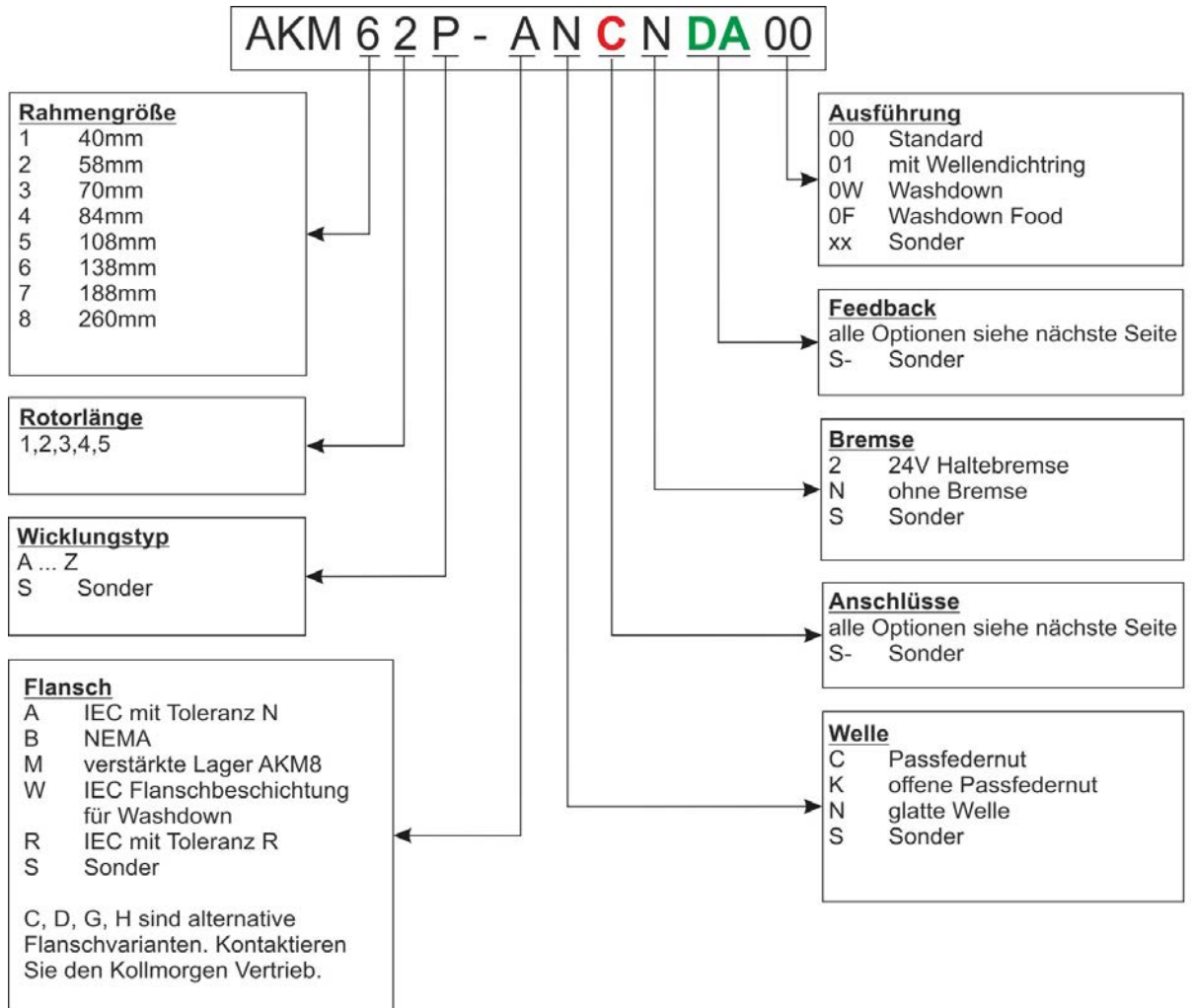


Legende:

MODEL	Typenbezeichnung
CUST P/N	Kunden-Mat.Nr
Ics	I0rms (Stillstandsstrom)
Tcs	M0 (Stillstandsrehnmoment)
Vs	Un (Zwischenkreisspannung)
Nrtd	nn (Nenndrehzahl bei Un)
Prtd	Pn (Nennleistung)
Rm	R25 (Wicklungswiderstand bei 25°)
SERIAL	Seriennummer
AMBIENT	zul. Umgebungstemp.

Das Baujahr des Motors ist in der Seriennummer kodiert: die ersten beiden Ziffern der Seriennummer bezeichnen das Jahr, z.B. bedeutet "14" 2014.

2.3.3 Typenschlüssel



2.3.3.1 Anschluss Optionen (C)

Die Steckerbelegungen für Leistung und Feedback finden Sie ab (→ # 200).

Die technische Beschreibung der diversen Stecker finden Sie im Produkt Wiki ([Gegenstecker](#)).

Anschluss Beschreibung

Steckertyp	Verwendung*	Kontakte Power/Signal	max. Strom [A] Power/Signal	max. Querschnitt [mm ²] Power/Signal	Schutz- klasse	Empfohlene Gegenstecker
M23 SpeedTec Ready (Größe 1)	Leistung & Bremse	4 / 4	30 / 10	4 / 1.5	IP65	BSTA-108-NN-00-08-0036
	Feedback	- / 12	- / 10	- / 0.5	IP65	ASTA-021-NN-00-10-0035
	Feedback	- / 17	- / 9	- / 0.5	IP65	ASTA-035-NN-00-10-0035
	Hybrid*	4 / 4	30 / 10	4 / 1.5	IP65	BSTA-108-NN-00-08-0036
M40 (Größe 1.5)	Leistung & Bremse	4 / 2	75 / 30	16 / 4	IP65	CSTA-263-NN-00-26-0001
M12	DRIVE-CLiQ	- / 8	- / 2	- / 0,5	IP65	Standard Siemens Drive- Cliq-Kabel
M23-6	DRIVE-CLiQ	6 / -	30 / -	4 / -	IP65	
i-tec	Hybrid*	4 / 5	14 / 3.6	1.5 / 0.75	IP65	ESTB-202-NN-00-1110-0500
y-tec	Leistung & Bremse	4 / 5	14 / 3.6	1.5 / 0.75	IP65	ESTB-202-NN-00-31-0500
	Feedback	- / 12	- / 5	- / 0.75	IP65	ESTB-002-NN-00-31-0001
	Feedback	- / 15	- / 5	- / 0.75	IP65	ESTB-205-NN-00-31-0002
Klemmkasten	Leistung & Bremse	4 / 2	150 / 15	25 / 2.5	IP65	-

* Hybrid bedeutet: Leistung und Feedback (Bremse) am selben Stecker und in einer Leitung.

Anschluss-Motor Referenz

PTC*	KTY 84-110*	KTY 83-110*	Anschlussart	Verwendbar mit	Position des Anschlusses
B	1	3	2 SpeedTec Ready M23 Stecker	AKM2	Abgewinkelt, drehbar, auf Motor montiert.
C	7	-	2 SpeedTec Ready M23 Stecker	AKM1-AKM2	An 0,5m Kabel.
C	1	3	2 SpeedTec Ready M23 Stecker	AKM3-AKM7 (≤23, 5A)	Abgewinkelt, drehbar, auf Motor montiert.
D**	-	D**	1 i-tec Hybrid Stecker	AKM1	Auf Motor montiert.
D**	-	D**	1 Hybrid Stecker SpeedTec Ready M23	AKM2-AKM6	Abgewinkelt, drehbar, auf Motor montiert.
G	-	-	2 SpeedTec Ready M23 Stecker	AKM2-AKM6	Gerade, auf Motor montiert.
H	1	3	1 Leistungsstecker M40, 1 Feedbackstecker SpeedTec Ready M23	AKM7 & AKM82T	Abgewinkelt, drehbar, auf Motor montiert.
-	R**	-	1 Leistungsstecker M23-6, 1 Feedbackstecker M12	AKM4-AKM7 (≤23, 5A)	Auf Motor montiert. M23-6 abgewinkelt, drehbar. M12 gerade.
T	2	4	1 Klemmkasten, 1 Feedbackstecker SpeedTec Ready M23	AKM8	Auf Motor montiert.
-	U**	-	1 Leistungsstecker M23-6, 1 Feedbackstecker M12	AKM4-AKM7 (≤23, 5A)	Gerade, auf Motor montiert.
Y	1	3	1 y-tec Stecker	AKM1	Auf Motor montiert.

* Temperatursensor PTC oder KTY(→ # 42)

** Bei Steckeroptionen D, R und U hängt die Art des Temperatursensors vom Feedbacktyp ab, siehe (→ # 40)

2.3.3.2 Feedback Optionen (DA)

Die Motorlänge hängt von der eingebauten Rückführeinheit (Feedback) ab, siehe Maßzeichnungen ab (→ # 186). Ein nachträglicher Einbau ist nicht möglich. Die Steckerbelegungen für die Optionen finden Sie ab (→ # 200).

Die technische Beschreibung der diversen Feedback Systeme finden Sie im Produkt Wiki ([Multi-Feedback](#)).

Feedback Beschreibung

Code	Bezeichnung	Type	Bemerkung	Striche/ Umdr.	Anzahl Umdr.	Verwendbar nur mit
1-	Comcoder	EPC 15T	Single Turn, optisch	1024	1	Alle
2-	Comcoder	EPC 15T	Single Turn, optisch	2048	1	Alle
AA	BiSS B Encoder	AD34/AD58	Single Turn, optisch	2048	1	Alle
AB	BiSS B Encoder	AD34/AD58	Multi Turn, optisch	2048	4096	Alle
C-	SFD	Size 10/15/21	Single Turn, induktiv, 4 adrig	11bit	1	AKD
CA	SFD3	Size 10/15/21	Single Turn, induktiv, 2 adrig	11bit	1	AKD,S700
DA	EnDAT 2.1 Encoder	ECN1113/1313	Single Turn, optisch	512/2048*	1	Alle
DB	EnDAT 2.1 Encoder	EQN1125/1325	Multi Turn, optisch	512/2048*	4096	Alle
LA	EnDAT 2.1 Encoder	ECI1118/1319	Single Turn, induktiv	16/32**	1	Alle
LB	EnDAT 2.1 Encoder	EQI1130/1331	Multi Turn, induktiv	16/32**	4096	Alle
MA	DRIVE-CLiQ Encoder	ECN1324S	Safety Single Turn, optisch	24bit	1	Siemens
MB	DRIVE-CLiQ Encoder	EQN1336S	Safety Multi Turn, optisch	24bit	4096	Siemens
GA	HIPERFACE Encoder	SKS36	Single Turn, optisch	128	1	Sx
GB	HIPERFACE Encoder	SKM36	Multi Turn, optisch	128	4096	Sx
GC	HIPERFACE Encoder	SEK34	Single Turn, kapazitiv	16	1	Sx
GD	HIPERFACE Encoder	SEL34	Multi Turn, kapazitiv	16	4096	Sx
GE	HIPERFACE DSL Encoder	EKS36	Single Turn, optisch,	18bit	1	AKD,S700
GF	HIPERFACE DSL Encoder	EKM36	Multi Turn, optisch,	18bit + 12bit	4096	AKD,S700
GJ	HIPERFACE Encoder	SKS36	Single Turn, optisch	128	1	AKD
GK	HIPERFACE Encoder	SKM36	Multi Turn, optisch	128	4096	AKD
GM	Safe HIPERFACE Encoder	SKS36S	Safety, wie GJ , SIL2, PLd, Kat.3	128***	1	AKD
GN	Safe HIPERFACE Encoder	SKM36S	Safety, wie GK , SIL2, PLd, Kat.3	128***	4096	AKD
GP	HIPERFACE Encoder	SEK34	Single Turn, kapazitiv	16	1	AKD
GR	HIPERFACE Encoder	SEL34	Multi Turn, kapazitiv	16	4096	AKD
R-	Resolver	Size 10/15/21	Single Turn, induktiv	2 polig	1	Alle

* x/y Daten für AKM2-4/AKM5-8

** x/y Daten für AKM2-3/AKM4-8

*** Zertifikate für sichere Geber finden Sie im Produkt-WIKI ([Zulassungen](#)) oder auf der Kollmorgen Website.

Feedback-Motor Referenz

Steckercode (PTC/KTY83-110) Code	Feedback	B/1	C/1	C/7 (Kabel)	D/D	G/-	H/1	-R	T/2	-U	Y/1
Verfügbar für AKM...											
1-	Comcoder	2	3-7	1-2	-	2-6	7,82T	-	8	-	1
2-	Comcoder	2	3-7	1-2	-	2-6	7,82T	-	8	-	1
AA	BISS B	2	3-7	2	-	2-6	7,82T	-	8	-	-
AB	BISS B	2	3-7	2	-	2-6	7,82T	-	8	-	-
C-	SFD*	2	3-7	1-2	1-6 (PTC)	2-6	7,82T	-	8	-	1
CA	SFD3	-	-	-	1-6 (KTY)	-	-	-	-	-	-
DA	EnDAT 2.1	2	3-7	2	-	2-6	7,82T	-	8	-	-
DB	EnDAT 2.1	2	3-7	2	-	2-6	7,82T	-	8	-	-
LA	EnDAT 2.1	2	3-7	2	-	2-6	7,82T	-	8	-	-
LB	EnDAT 2.1	2	3-7	2	-	2-6	7,82T	-	8	-	-
MA	DRIVE-CLiQ**	-	-	-	-	-	-	4-7	-	4-7	-
MB	DRIVE-CLiQ**	-	-	-	-	-	-	4-7	-	4-7	-
GA	Hiperface	2	3-7	2	-	2-6	7,82T	-	8	-	-
GB	Hiperface	2	3-7	2	-	2-6	7,82T	-	8	-	-
GC	Hiperface	-	-	1	-	-	-	-	-	-	1
GD	Hiperface	-	-	1	-	-	-	-	-	-	1
GE	Hiperface DSL	-	-	-	2-6 (KTY)	-	-	-	-	-	-
GF	Hiperface DSL	-	-	-	2-6 (KTY)	-	-	-	-	-	-
GJ	Hiperface	2	3-7	2	-	2-6	7,82T	-	8	-	-
GK	Hiperface	2	3-7	2	-	2-6	7,82T	-	8	-	-
GM	Safe Hiperface***	2	3-7	2	-	2-6	7,82T	-	8	-	-
GN	Safe Hiperface***	2	3-7	2	-	2-6	7,82T	-	8	-	-
GP	Hiperface	-	-	1	-	-	-	-	-	-	1
GR	Hiperface	-	-	1	-	-	-	-	-	-	1
R-	Resolver	2	3-7	1-2	-	2-6	7,82T	-	8	-	1

* ohne Bremse

** Temperatursensor gemäß aktueller Siemens Anforderung. Für weitere Informationen kontaktieren Sie Kollmorgen.

*** nur mit Temperatursensor PTC

2.4 Technische Beschreibung

2.4.1 Allgemeine technische Daten

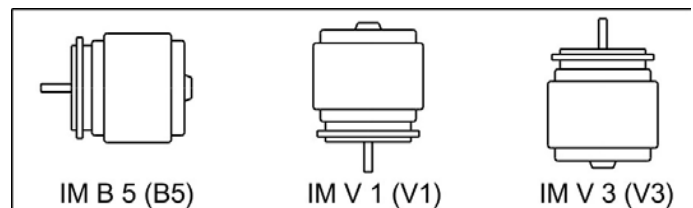
Umgebungstemperatur (bei Nenndaten)	5...+40°C bei Aufstellhöhe bis 1000m über NN Sprechen Sie bei Umgebungstemperaturen über 40°C und bei gekapseltem Einbau der Motoren unbedingt mit unserer Applikationsabteilung.
Zulässige Luftfeuchte (bei Nenndaten)	95% relative Feuchte, nicht betauend
Leistungsreduzierung (Ströme und Momente)	1%/K im Bereich 40°C...50°C bis 1000m über NN Bei Aufstellhöhen über 1000m über NN und 40°C 6% bei 2000m über NN 17% bei 3000m über NN 30% bei 4000m über NN 55% bei 5000m über NN Keine Leistungsreduzierung bei Aufstellhöhen über 1000m über NN und Temperaturreduzierung um 10K / 1000m
Kugellager-Lebensdauer	≥ 20.000 Betriebsstunden

INFO

Technische Daten der Motortypen finden Sie im Kapitel "Technical Data" ab (→ # 167).

2.4.2 Bauform

Die Grundbauform der AKM Motoren ist die Bauform IM B5 nach DIN EN 60034-7.



2.4.3 Flansch

IEC Flansche weisen eine Genauigkeit nach DIN 42955 auf. Rundlauf der Wellenenden, Koaxialität und Planlauf der Befestigungsflansche umlaufender elektrischer Maschinen

Code	Flansch
A	IEC mit Genauigkeit N, Passung AKM1: h7, Passung AKM2-8: j6
R	IEC mit Genauigkeit R, Passung AKM1: h7, Passung AKM2-8: j6
M	IEC mit Genauigkeit N, Passung j6, verstärkte Lager, nur AKM8
W	IEC, Passung j6, spezielle Flanschbeschichtung für Washdown oder Washdown Food Motoren
B	NEMA, Maße finden Sie im <i>AKM Selection Guide</i> (Kollmorgen Website, US-English)

2.4.4 Schutzart

Motor	Anschlusscode	Wellendichtring	Schutzart
AKM1	C, D	ohne	IP40
AKM1	C, D	mit	IP65
AKM2-AKM8	B, C, D, G, H, T	ohne	IP54
AKM8	H, T	ohne	IP52
AKM2-AKM8	B, C, D, G, H, T	mit	IP65
AKM2-AKM6 Washdown	B, C, D, G	mit	IP67
AKM2-AKM6 Washdown Food	B, C, D, G	mit	IP67

2.4.5 Isolierstoffklasse

Die Motoren entsprechen der Isolierstoffklasse F nach IEC 60085 (UL 1446 class F).

2.4.6 Oberfläche

Die Motoren sind mattschwarz mit Polyester pulverbeschichtet, eine Beständigkeit gegen Lösungsmittel (Tri, Verdünnung o.ä.) besteht nicht.

2.4.7 Wellenende A-Seite

Die Kraftübertragung erfolgt über das zylindrische Wellenende A, Passung k6 (AKM1: h7) nach EN50347 mit Anzuggewinde **aber ohne Passfedernut**. Die Motoren sind auch mit Nut und eingestecktem Schlüssel nach DIN 6885 zur Verfügung. Die Welle mit Nut wird mit kurzen (die Hälfte) Schlüssel ausgeglichen.

Für die Lebensdauer der Lager sind 20.000 Betriebsstunden zugrunde gelegt.

Bestellcode	Wellenende	verfügbar für
N	Glatte Welle	Alle Typen, Standard
C	Passfedernut, geschlossen	AKM 2...8
K	Passfedernut, offen	AKM 1...8

Radialkraft

Treiben die Motoren über Ritzel oder Zahnriemen an, so treten hohe Radialkräfte auf.

Zugelassene Werte am Wellenende abhängig von der Drehzahl: Diagramme ab (→ # 186).

Zugelassenen Maximalwerte: Kapitel "Technical Data" ab (→ # 167).

Bei Kraftangriff an der Mitte des freien Wellenendes darf FR 10% größer sein.

Axialkraft

Bei der Montage von Ritzel oder Riemenscheiben auf die Welle und bei Betrieb von z.B. Winkelgetrieben treten Axialkräfte auf. Die zugelassenen Maximalwerte finden Sie in den technischen Daten.

Kupplung

Als ideale spielfreie Kupplungselemente haben sich doppelt konische Spannzangen eventuell in Verbindung mit Metallbalg-Kupplungen bewährt.

2.4.8 Wellendichtung

Wenn der AKM an einen Maschinenflansch mit ungeschütztem Wellenbereich gekoppelt werden soll, stellt der Wellendichtring (Option 01) die Abdichtung sicher.

- Der Teflon Wellendichtring stellt den IP67 Schutz im Bereich der Motorwelle sicher.
- Die Nenndaten des Motors werden nach einigen Stunden (Run-In) im Normalbetrieb erreicht. Eine spezielle Run-In Prozedur wird nicht benötigt.
- Es kann sich Teflon Abrieb bilden. Dies beeinträchtigt die Funktion nicht.
- Der Betrieb des Wellendichtrings im Trockenlauf ist nicht erlaubt. Wenn Trockenlauf erforderlich ist, fragen Sie Kollmorgen nach einer Sonderlösung.
- Wellendichtung ist von der FDA Fett vorgeschmiert .

2.4.9 Schutzeinrichtung

In der Standardausführung ist jeder Motor mit einem potentialfreien PTC Temperatursensor ausgestattet. Der Schaltpunkt liegt bei $155^{\circ}\text{C} \pm 5\%$. Schutz gegen kurzzeitige, sehr hohe Überlastung bietet der PTC nicht.

Optional kann der Motor mit einem KTY 83-110, KTY 84-110 Sensoren ausgerüstet werden (siehe Anschlussoption 1, 2, 7 und D (→ # 200)(→ # 38)

Bei den digitalen Feedbacks SFD, SFD3, DSL (C-, CA, GE, GF) wird der Status des Temperatursensors digital übertragen und im Servoverstärker ausgewertet.

Der Sensor ist bei Verwendung unserer konfektionierten Feedbackleitungen in das Überwachungssystem der digitalen Servoverstärker integriert.

2.4.10 Schwinggüte

Die Motoren sind in Schwinggüte A nach EN 60034-14 ausgeführt. Das bedeutet für einen Drehzahlbereich von 600-3600 U/min und einer Achshöhe von 56mm bis 132mm eine zulässige Schwingstärke von 1,6mm/s als Effektivwert.

Drehzahl [rpm]	max. rel. Schwingweg[μ m]	max. Run-out [μ m]
≤ 1800	90	23
> 1800	65	16

2.4.11 Anschlusstechnik

2.4.11.1 Stecker

Eine Beschreibung der verfügbaren Stecker finden Sie auf (\rightarrow # 38).
Steckerbelegungen finden Sie im Anhang ab (\rightarrow # 200).

2.4.11.2 Kabelquerschnitte

Leistungs-Kabel, Kombi-Kabel

Kombikabel enthalten neben den 4 Leistungsadern zwei abgeschirmte Bremsadern.

Querschnitt		Strombelastbarkeit	Bemerkung
Kabel	Kombi-Kabel		
(4x1)	(4x1+(2x0,75))	$0A < I_{0rms} \leq 10,1A$	Die Klammern (...) deuten die Abschirmungen an. Strombelastbarkeit gem. EN60204-1:2006, Tabelle 6, Spalte B2
(4x1,5)	(4x1,5+(2x0,75))	$10,1A < I_{0rms} \leq 13,1A$	
(4x2,5)	(4x2,5+(2x1))	$13,1A < I_{0rms} \leq 17,4A$	
(4x4)	(4x4+(2x1))	$17,4A < I_{0rms} \leq 23A$	
(4x6)	(4x6+(2x1))	$23A < I_{0rms} \leq 30A$	
(4x10)	(4x10+(2x1,5))	$30A < I_{0rms} \leq 40A$	
(4x16)	(4x16+(2x1,5))	$40A < I_{0rms} \leq 54A$	
(4x25)	(4x25+(2x1,5))	$54A < I_{0rms} \leq 70A$	

Feedback-Kabel

Typ	Querschnitt	Bemerkung
Resolver, SFD	(4 x 2 x 0,25)	
Encoder	(7 x 2 x 0,25)	BiSS, EnDAT, HIPERFACE
Comcoder	(8 x 2 x 0,25)	Inkrementalgeber + Hall

Hybrid-Kabel

Typ	Querschnitt	Bemerkung
SFD	(4x1.0+2x(2x0.75))	4 Leistungsadern & 4 Signaladern für SFD bzw.
SFD	(4x1.5+2x(2x0.75))	
SFD3/DSL	(4x1.0+(2x0.34)+(2x0.75))	
SFD3/DSL	(4x1.5+(2x0.34)+(2x0.75))	4 Leistungsadern & 2 Bremsadern & 2 Signaladern für SFD3/DSL
SFD3/DSL	(4x2.5+(2x0.34)+(2x1.0))	
SFD3/DSL	(4x4+(2x0.34)+(2x1.0))	

Die technische Beschreibung des Hybrid-Kabel finden Sie im Produkt Wiki ([Hybrid-Kabel](#)).

2.4.12 Haltebremse

Die Motoren sind wahlweise mit eingebauter Haltebremse erhältlich. Die Federdruckbremse (24V DC) blockiert im spannungslosen Zustand den Rotor.



WARNUNG

Wenn bei hängender Last (Vertikalachsen) die Motorhaltebremse gelöst ist und gleichzeitig der Servoantrieb keine Leistung erbringt, kann die Last herunterfallen! Verletzungsgefahr für das Bedienpersonal der Maschine. Die funktionale Sicherheit kann bei vertikalen Achsen nur mit einer zusätzlichen, externen mechanischen Bremse erreicht werden.

ACHTUNG

Die Haltebremsen sind als Stillstandsbremsen ausgelegt und für dauernde, betriebsmäßige Abbremsvorgänge ungeeignet. Bei häufiger betriebsmäßiger Abbremsung ist ein vorzeitiger Verschleiß und Ausfall der Haltebremse wahrscheinlich.

Motorlänge vergrößert sich bei eingebauter Haltebremse.

Die Haltebremsen können direkt vom Servoverstärker angesteuert werden (nicht personell sicher!), dann erfolgt das Löschen der Bremswicklung im Servoverstärker — eine zusätzliche Beschaltung ist nicht erforderlich. Beachten Sie hierzu die Betriebsanleitung des Servoverstärkers. Wird die Haltebremse nicht vom Servoverstärker direkt angesteuert, muss eine zusätzliche Beschaltung (z.B. Varistor) vorgenommen werden. Sprechen Sie hierzu mit unserem Kundendienst.

2.4.13 Lüfter für AKM7

Für die Baugröße AKM7 ist ein Anbausatz zur Fremdbelüftung verfügbar. Der eingebaute Lüfter ermöglicht bis zu 30% höhere Leistungsabgabe der AKM7 Motoren. Eine Montageanweisung für den Lüfterbausatz ist im Lieferumfang des Anbausatzes enthalten.



Das Lüftergehäuse kann entweder nur mit den mitgelieferten Befestigungswinkeln oder zusätzlich mit den ebenfalls mitgelieferten Abstandsbolzen befestigt werden. Die Wahl der Befestigungsmethode hängt ab von der Applikation. Ist mit starken Vibrationen zu rechnen, benutzen Sie zur Sicherheit Winkel und Abstandsbolzen. Motoren mit eingebauter Bremse erfordern die langen Abstandsbolzen

ACHTUNG

Sorgen Sie für freie Luftzufuhr am Lüftergitter und halten Sie einen Freiraum von mindestens 25mm hinter dem Lüftergitter ein. Durch die erzwungene Konvektion verschmutzen die Motoren deutlich stärker. Schmutzablagerungen führen zu sinkender Kühlleistung und können die Motoren gefährden. Staubablagerungen können bei Überhitzung entflammen. Reinigen Sie daher regelmäßig die Luftführung, den Lüfter und die Motoren.

Durch den Lüfteranbau erhöhen sich die Einbaumaße der AKM7 Motoren.

AKM7 Motoren mit Steckeroption "C", Wicklung "Q" und Fremdbelüftung müssen Sie zum Schutz des Steckers den Strom auf 23,5 A begrenzen.

Technische Daten der AKM7 Motoren mit Lüfter finden Sie auf (→ # 181).

Die Maßzeichnung der AKM7 Motoren mit Lüfter finden Sie auf (→ # 195).

2.4.14.2 Washdown Food

AKM ^{AAA} - ^{AAAA} - ^A F	Washdown Food Lackierung ohne Flanschbeschichtung
AKM ^{AAA} - ^W ^{AAAA} - ^A F	Washdown Food mit Flanschbeschichtung des IEC A-Flansch

INFO

Die Oberfläche des Washdown Food Motoren hat alle Tests gemäß FDA GlobalMigration für indirekten Kontakt zu Lebensmitteln bestanden. Ein direkter Kontakt zu unverpackten Lebensmitteln ist nicht zulässig.

Einsatzgebiet:	Lebensmittel- und Getränkeindustrie, kein direkter Kontakt mit unverpackten Lebensmitteln
Beispiel:	Schneiden, Verpacken und Füllen ohne direkten Kontakt zum Lebensmittel, Motor seitlich oder unter dem Lebensmittel.
Standards:	UL, CE, RohS, FDA
Oberfläche:	Weißer Beschichtung
Beständigkeit:	Gegen geprüfte Reinigungsmittel (→ # 46), korrosionsfest
Global Migration:	US FDA Regulations 21 CFR 175.300, Condition of Use E
Schutzart:	IP67
Welle:	Edelstahl
Wellendichtring:	PTFE, gemäß FDA
Schmiermittel:	Lebensmitteltauglich, gemäß FDA
Stecker:	Edelstahl, glatte Oberfläche
Schrauben:	Edelstahl
Typenschild:	Eingraviert, je Verpackungseinheit ein zusätzliches Typenschild
Baugröße:	AKM2 - AKM6

2.4.14.3 Geprüfte und bestätigte Eigenschaften gegenüber Reinigungsmittel

Im Prüflabor der ECOLAB Deutschland GmbH wurde die Resistenz der Washdown und Washdown Food Oberflächen gegen folgende industrielle Reinigungsmittel geprüft:

- P3-topactive DES
- P3-topactive LA
- P3-topax 56
- P3-topax 66
- P3-topax 91

Dabei wurden die Oberflächen 28 Tage lang bei Raumtemperatur in das jeweilige Reinigungsmittel getaucht.

Dies entspricht ca. 2500 Reinigungszyklen mit jeweils 15 minütigem Kontakt zum Reinigungsmittel bzw. 1500 Reinigungszyklen mit Reinigung und nachfolgender Desinfektion.

Die Zertifikate finden Sie in unserem Produkt-WIKI auf der Seite [Zulassungen](#).

ACHTUNG

Kollmorgen kann eine Gewährleistung der Motorlebensdauer nur bei Einsatz der getesteten Reinigungsmittel geben. Andere als die oben genannten Reinigungsmittel kann Kollmorgen auf Anfrage testen und gegebenenfalls freigeben.

2.4.14.4 Montage- und Einsatzbedingungen

- Die Motoren dürfen nur bei Umgebungstemperaturen bis maximal 50°C eingesetzt werden.
- Bei beschichtetem Vorderflansch ist die Toleranzklasse N nicht gewährleistet.

ACHTUNG

Bei Motoren mit Flanschen ohne Washdown Beschichtung muss die Flanschfläche durch geeignete Montage vor dem Einfluss von Reinigungsmitteln geschützt werden.

ACHTUNG

Bei Montage und Betrieb schützen Sie den Motor vor mechanischen Einwirkungen, die Kratzer oder Risse auf der lackierten Oberfläche verursachen können. Das Fehlverhalten erhöht das Korrosionsrisiko.

2.4.14.5 Reinigungsplan

Empfohlener Reinigungsplan (Kurzform) mit den getesteten Reinigungsmitteln:

Spülen mit Wasser (40 °... 50 °C)

Spülen mit niedrigem Druck. Von oben nach unten in Richtung zum Abfluss. Den Abfluss reinigen.

Schaumreinigung

Schäumen von oben nach unten.

Alkalisch:	P3-topactive LA oder P3-topax 66 (2-5%, täglich 15 min)
Sauer:	P3-topax 56 (2%, wenn erforderlich 15 min)
Temperatur:	kalt bis zu 40 °C

Desinfektion

Absprühen mit Wasser (40°... 50°C) mit niedrigem Druck. Von oben nach unten.

Sprühdesinfektion:	P3-topax 91 (1-2%, wenn erforderlich 30-60 min)
Schaumdesinfektion:	P3-topactiv DES (1-3%, wenn erforderlich 10-30 min)

2.5 Mechanische Installation

INFO

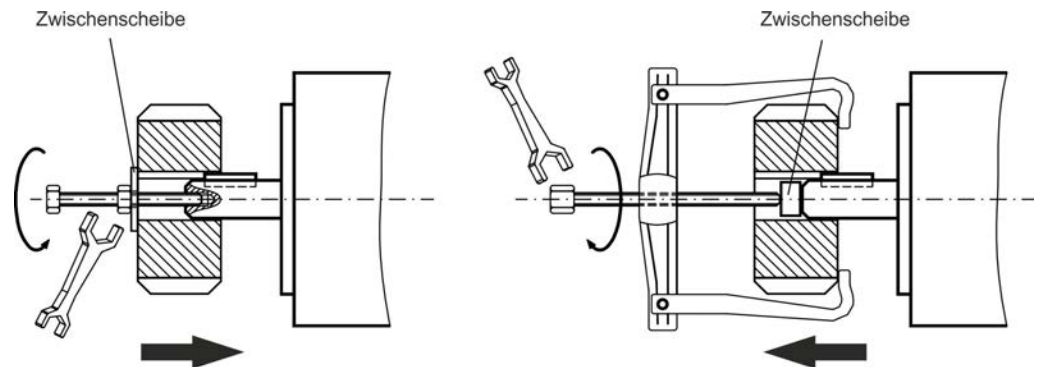
Maßzeichnungen finden Sie im Kapitel "Dimension Drawings" ab (→ # 186).

2.5.1 Wichtige Hinweise

INFO

Nur Fachleute mit Maschinenbau-Kenntnissen dürfen den Motor montieren.

- Schützen Sie die Motoren vor unzulässiger Beanspruchung. Bei Transport und Handhabung dürfen keine Bauelemente beschädigt werden.
- Der Einbauort muss frei von leitfähigen und aggressiven Stoffen sein. Bei V3-Montage (Wellenende nach oben), darf keine Flüssigkeit in die Lager eindringen. Bei gekapseltem Einbau sprechen Sie zunächst mit unserer Applikationsabteilung.
- Stellen Sie die ungehinderte Belüftung der Motoren sicher und beachten Sie die zulässige Umgebungs- und Flanschttemperatur. Bei Umgebungstemperaturen über 40°C sprechen Sie mit unserer Applikationsabteilung.
- Servomotoren sind Präzisionsgeräte. Insbesondere Flansch und Welle sind bei Lagerung und Einbau gefährdet — vermeiden Sie daher rohe Kraftanwendung. Benutzen Sie zum Aufziehen von Kupplungen, Zahnradern oder Riemenscheiben unbedingt das vorgesehene Anzugsgewinde in der Motorwelle und erwärmen Sie, sofern möglich, die Abtriebs Elemente. Schläge oder Gewaltanwendung führen zur Schädigung von Kugellagern und Welle.



- Verwenden Sie nach Möglichkeit nur spielfreie, reibschlüssige Spannzangen oder Kupplungen. Achten Sie auf korrektes Ausrichten der Kupplung. Ein Versatz führt zu unzulässigen Vibrationen und zur Zerstörung von Kugellagern und Kupplung.
- Vermeiden Sie unter allen Umständen eine mechanisch überbestimmte Lagerung der Motorwelle durch starre Kupplung und externe Lagerung (z.B. im Getriebe).
- Beachten Sie die Motorpolzahl und die Resolverpolzahl und stellen Sie bei den verwendeten Servoverstärkern die Polzahlen unbedingt korrekt ein. Falsche Einstellung kann besonders bei kleinen Motoren zur Zerstörung führen.
- Vermeiden Sie möglichst eine axiale Belastung der Motorwelle. Eine axiale Belastung verkürzt die Lebensdauer des Motors erheblich.
- Prüfen Sie die Einhaltung der zulässigen Radial- und Axialbelastungen F_R und F_A . Bei Verwendung eines Zahnriemen-Antriebs ergibt sich der minimal zulässige Durchmesser des Ritzels z.B. nach der Gleichung: $d_{\min} \geq (M_0/F_R)*2$

2.6 Elektrische Installation

INFO

Steckerbelegungen finden Sie im Kapitel "Connector Pinout" ab (→ # 186). Die Pinbelegung auf der Verstärkerseite finden Sie in der Betriebsanleitung des Servoverstärkers.

2.6.1 Wichtige Hinweise

INFO

Nur Fachleute mit elektrotechnischer Ausbildung dürfen den Motor verdrahten.



GEFAHR



Verdrahten Sie die Motoren immer im spannungsfreien Zustand, d.h. keine der Betriebsspannungen eines anzuschließenden Gerätes darf eingeschaltet sein. Es besteht die Gefahr von Tod oder schweren gesundheitlichen Schäden beim Berühren freiliegender Kontakte. Sorgen Sie für eine sichere Freischaltung des Schaltschranks (Sperrleiste, Warnschilder etc.). Erst bei der Inbetriebnahme werden die einzelnen Spannungen eingeschaltet.

Lösen Sie die elektrischen Anschlüsse der Motoren nie unter Spannung. Gefahr durch elektrischen Schlag! In ungünstigen Fällen können Lichtbögen entstehen und Personen und Kontakte schädigen.

Restladungen in den Kondensatoren des Servoverstärkers können bis zu 10 Minuten nach Abschalten der Netzspannung gefährliche Werte aufweisen. Leistungsanschlüsse können Spannung führen, auch wenn sich der Motor nicht dreht.

Messen Sie die Spannung im Zwischenkreis und warten Sie, bis die Spannung unter 60V abgesunken ist.

INFO

Das Masse-Zeichen , das Sie in allen Anschlussplänen finden, deutet an, dass Sie für eine möglichst großflächige, elektrisch leitende Verbindung zwischen dem gekennzeichneten Gerät und der Montageplatte in Ihrem Schaltschrank sorgen müssen. Diese Verbindung soll die Ableitung von HF-Störungen ermöglichen und ist nicht zu verwechseln mit dem PE-Zeichen  (Schutzmaßnahme nach EN 60204). Beachten Sie auch die Hinweise in den Anschlussplänen in der Betriebsanleitung des verwendeten Servoverstärkers.

2.6.2 Leitfaden für die elektrische Installation

- Prüfen Sie die Zuordnung von Servoverstärker und Motor. Vergleichen Sie Nennspannung und Nennstrom der Geräte. Führen Sie die Verdrahtung nach dem Anschlussbild in der Betriebsanleitung des Servoverstärkers aus. Die Anschlüsse des Motors sind im Kapitel "Connector Pinout" ab (→ # 186) dargestellt.
- Verlegen Sie sämtliche starkstromführenden Leitungen in ausreichendem Querschnitt nach EN 60204. Die empfohlenen Querschnitte finden Sie in den technischen Daten.

INFO

Abhängig vom Typ des verwendeten Servoverstärkers muss bei langen Motorleitung (> 25m) eine Motordrossel (3YL oder 3YLN) in die Motorleitung geschaltet werden (siehe Betriebsanleitung des Servoverstärkers und Zubehörhandbuch).

- Achten Sie auf einwandfreie Erdung von Servoverstärker und Motor. EMV-gerechte Abschirmung und Erdung siehe Betriebsanleitung des verwendeten Servoverstärkers. Erden Sie Montageplatte und Motorgehäuse.
- Bei Verwendung eines Motorleistungskabels mit integrierten Bremssteueradern müssen die Bremssteueradern abgeschirmt sein. Der Schirm muss beidseitig aufgelegt werden (siehe auch Betriebsanleitung des Servoverstärkers).
- Verdrahtung:
 - Leistungs- und Steuerkabel möglichst getrennt verlegen
 - Rückführsystem (Feedback) anschließen
 - Motorleitungen anschließen (Motordrossel nahe am Servoverstärker), Abschirmungen beidseitig auf Schirmklemmen bzw. EMV-Stecker
 - Motor-Haltebremse anschließen, Abschirmung beidseitig auflegen.
- Legen Sie Abschirmungen großflächig (niederohmig) über metallisierte Steckergehäuse bzw. EMV-gerechte Kabelverschraubungen auf.
- Anforderungen an das Leitungsmaterial:
 - Kapazität**
 - Motorleitung: kleiner als 150 pF/m
 - Feedback-Leitung: kleiner als 120 pF/m

2.6.3 Anschluss der Motoren mit vorkonfektionierten Kabeln

- Führen Sie die Verdrahtung gemäß den geltenden Vorschriften und Normen aus.
- Verwenden Sie für Leistungs- und Feedbackanschluss ausschließlich vorkonfektionierte, abgeschirmte Leitungen von AKM.
- Nicht korrekt aufgelegte Abschirmungen führen unweigerlich zu EMV-Störungen und Funktionsbeeinträchtigungen des Systems.
- Die maximale Leitungslänge ist in der Betriebsanleitung des verwendeten Servoverstärkers definiert.

INFO

Technische Daten unserer konfektionierten Leitungen finden Sie im Zubehörhandbuch.

2.7 Inbetriebnahme

2.7.1 Wichtige Hinweise

INFO

Nur Fachleute mit weitreichenden Kenntnissen in den Bereichen Elektrotechnik und Antriebstechnik dürfen die Antriebseinheit Servoverstärker/Motor in Betrieb nehmen.



GEFAHR

Es treten Spannungen bis zu 900V auf. Lebensgefahr durch elektrischen Schlag! Prüfen Sie, ob alle spannungsführenden Anschlussteile gegen Berührung sicher geschützt sind.

Lösen Sie die elektrischen Anschlüsse der Motoren nie unter Spannung. Restladungen in den Kondensatoren des Servoverstärkers können bis zu 10 Minuten nach Abschalten der Netzspannung gefährliche Werte aufweisen. Steuer- und Leistungsanschlüsse können Spannung führen, auch wenn sich der Motor nicht dreht.

Messen Sie die Spannung im Zwischenkreis und warten Sie, bis die Spannung unter 60V abgesunken ist.



VORSICHT

Die Oberflächentemperatur des Motors kann im Betrieb 100°C überschreiten. Gefahr leichter Verbrennungen! Prüfen (messen) Sie die Temperatur des Motors.

Warten Sie, bis der Motor auf 40°C abgekühlt ist, bevor Sie ihn berühren.



VORSICHT

Während der Inbetriebnahme ist nicht auszuschließen, dass der Antrieb ungeplant eine Bewegung durchführt.

Stellen Sie sicher, dass auch bei ungewollter Bewegung des Antriebs keine Gefährdung von Personen oder Sachen eintreten kann.

Die Maßnahmen, die Sie dazu in Ihrer Anwendung treffen müssen, ergeben sich aus der Risikobeurteilung der Anwendung.

2.7.2 Leitfaden für die Inbetriebnahme

Das Vorgehen bei der Inbetriebnahme wird exemplarisch beschrieben. Je nach Einsatz der Geräte kann auch ein anderes Vorgehen sinnvoll und erforderlich sein.

1. Prüfen Sie Montage und Ausrichtung des Motors.
2. Prüfen Sie die Abtriebs Elemente (Kupplung, Getriebe, Riemenscheibe) auf festen Sitz und korrekte Einstellung (zulässige Radial- und Axialkräfte beachten).
3. Prüfen Sie die Verdrahtung und Anschlüsse am Servoverstärker. Achten Sie auf ordnungsgemäße Erdung.
4. Prüfen Sie die Funktion der Haltebremse, sofern vorhanden. (24V anlegen, Bremse muss lüften).
5. Prüfen Sie, ob der Rotor des Motors sich frei drehen lässt (eventuell vorhandene Bremse vorher lüften). Achten Sie auf Schleifgeräusche.
6. Prüfen Sie, ob alle erforderlichen Berührungsschutz-Maßnahmen für bewegte und spannungsführende Teile getroffen wurden.
7. Führen Sie weitere für Ihre Anlage spezifischen und notwendigen Prüfungen durch.
8. Nehmen Sie nun entsprechend der Inbetriebnahmeanweisung des Servoverstärkers den Antrieb in Betrieb.
9. Nehmen Sie bei Mehrachs-Systemen jede Antriebseinheit Servoverstärker/Motor einzeln in Betrieb.

2.7.3 Beseitigen von Störungen

Abhängig von den Bedingungen in Ihrer Anlage können vielfältige Ursachen für die auftretende Störung verantwortlich sein. Beschrieben werden vorwiegend die Fehlerursachen, die den Motor direkt betreffen. Auftretende Auffälligkeiten im Regelverhalten haben meist ihre Ursache in fehlerhafter Parametrierung des Servoverstärkers. Informieren Sie sich hierzu in der Dokumentation des Servoverstärkers und der Inbetriebnahmesoftware.

Bei Mehrachssystemen können weitere versteckte Fehlerursachen vorliegen.

Fehler	Mögliche Fehlerursachen	Maßnahmen
Motor dreht nicht	<ul style="list-style-type: none"> —Servoverstärker nicht freigegeben —Sollwertleitung unterbrochen —Motorphasen vertauscht —Bremsen sind nicht gelöst —Antrieb ist mechanisch blockiert 	<ul style="list-style-type: none"> —ENABLE-Signal anlegen —Sollwertleitung prüfen —Motorphasen korrekt auflegen —Bremsenansteuerung prüfen —Mechanik prüfen
Motor geht durch	<ul style="list-style-type: none"> —Motorphasen vertauscht 	<ul style="list-style-type: none"> —Motorphasen korrekt auflegen
Motor schwingt	<ul style="list-style-type: none"> —Abschirmung Feedbackleitung unterbrochen —Verstärkung zu groß 	<ul style="list-style-type: none"> —Motor austauschen —Motordefaultwerte verwenden
Fehlermeldung Bremsen	<ul style="list-style-type: none"> —Kurzschluss in der Spannungsversorgung der Motorhaltebremse —defekte Motorhaltebremse 	<ul style="list-style-type: none"> —Kurzschluss beseitigen —Motor austauschen
Fehlermeldung Endstufenfehler	<ul style="list-style-type: none"> —Motorleitung hat einen Kurz- oder Erdschluss —Motor hat einen Kurz- oder Erdschluss 	<ul style="list-style-type: none"> —Motor austauschen —Motor austauschen
Fehlermeldung Resolver	<ul style="list-style-type: none"> — Resolverstecker ist nicht richtig aufgesteckt — Resolverleitung ist unterbrochen, gequetscht o.ä. 	<ul style="list-style-type: none"> — Steckverbindung überprüfen — Leitungen überprüfen
Fehlermeldung Motortemperatur	<ul style="list-style-type: none"> —Motorthermosensor hat angesprochen —Feedbackstecker lose —Feedbackleitung unterbrochen 	<ul style="list-style-type: none"> —Abwarten, bis der Motor abgekühlt ist. Danach überprüfen, warum der Motor zu heiß wird. —Stecker prüfen —Motor ersetzen
Bremsen greifen nicht	<ul style="list-style-type: none"> —Gefordertes Haltemoment zu hoch —Bremsen defekt —Motorwelle axial überlastet 	<ul style="list-style-type: none"> —Auslegung überprüfen —Motor austauschen —Axiale Last prüfen, reduzieren

2.8 Begriffsdefinitionen der technischen Daten

INFO

Technische Daten zum Motor finden Sie im Kapitel "Technical Data" ab (→ # 167).
Alle Angaben bei 40°C Umgebungstemperatur und 100K Wicklungsüber Temperatur.
Nenn datenermittlung bei konstanter Temperatur des Gegenflansches von 65°C.
Die Daten können eine Toleranz von +/- 10% aufweisen.

Stillstands drehmoment M_0 [Nm]

Das Stillstands drehmoment kann bei Drehzahl $0 < n < 100 \text{ min}^{-1}$ und Nenn-Umgebungsbedingungen unbegrenzt lange abgegeben werden.

Nenn drehmoment M_n [Nm]

Das Nenn drehmoment wird abgegeben, wenn der Motor bei Nenn drehzahl Nennstrom aufnimmt. Das Nenn drehmoment kann im Dauerbetrieb (S1) bei Nenn drehzahl unbegrenzt lange abgegeben werden.

Stillstandsstrom I_{0rms} [A]

Der Stillstandsstrom ist der Sinus-Effektiv-Stromwert, den der Motor bei $0 < n < 100 \text{ min}^{-1}$ aufnimmt, um das Stillstands drehmoment abgeben zu können.

Spitzenstrom (Impulsstrom) I_{0max} [A]

Der Spitzenstrom (Sinus-Effektivwert) ist ein Mehrfaches des Stillstandsstroms abhängig von der Wicklung. Der Spitzenstrom des verwendeten Servoverstärkers muss kleiner sein.

Drehmomentkonstante K_{Trms} [Nm/A]

Die Drehmomentkonstante gibt an, wie viel Drehmoment in Nm der Motor mit 1A Sinus-Effektivstrom erzeugt. Es gilt $M = I \times K_T$ (bis maximal $I = 2 \times I_0$)

Spannungskonstante K_{Erms} [mV/min]

Die Spannungskonstante gibt die auf 1000U/min bezogene induzierte Motor EMK als Sinus-Effektivwert zwischen zwei Klemmen an. Bei 25 ° C gemessen.

Rotorträgheitsmoment J [kgcm²]

Die Konstante J ist ein Maß für das Beschleunigungsvermögen des Motors. Mit I_0 ergibt sich z.B. die Beschleunigungszeit t_b von 0 bis 3000 min^{-1} zu :

$$t_b \left[s \right] = \frac{3000 \cdot 2\pi}{M_0 \cdot 60s} \cdot \frac{m^2}{10^4 \cdot cm^2} \cdot J \quad \text{mit } M_0 \text{ in Nm und } J \text{ in kgcm}^2$$

Thermische Zeitkonstante t_{th} [min]

Die Konstante t_{th} gibt die Erwärmungszeit des kalten Motors bei Belastung mit I_0 bis zum Erreichen von $0,63 \times 100$ Kelvin Über Temperatur an.

Bei Belastung mit Spitzenstrom erfolgt die Erwärmung in wesentlich kürzerer Zeit.

Lüftverzögerungszeit t_{BRH} [ms] / Einfallverzögerungszeit t_{BRL} [ms] der Bremse

Die Konstanten geben die Reaktionszeiten der Haltebremse bei Betrieb mit Nennspannung am Servoverstärker an.

U_N

Netzennspannung

U_n

Zwischenkreisspannung. $U_n = \sqrt{2} \cdot U_N$

3 Italiano

3.1	Indicazioni generali	56
3.1.1	Questo manuale	56
3.1.2	Abbreviazioni utilizzati	56
3.1.3	Simboli usati	56
3.2	Sicurezza	57
3.2.1	Attenersi a queste indicazioni!	57
3.2.2	Uso conforme	59
3.2.3	Uso conforme vietato	59
3.2.4	Maneggiamento	60
3.3	Identificazione del prodotto	62
3.3.1	Dotazione	62
3.3.2	Targhetta di omologazione	62
3.3.3	Codici dei modelli	63
3.4	Descrizione tecnici	67
3.4.1	Dati tecnici generali	67
3.4.2	Forma costruttiva	67
3.4.3	Flangia	67
3.4.4	Grado di protezione	67
3.4.5	Classe di isolamento	68
3.4.6	Superficie	68
3.4.7	Estremità di uscita albero	68
3.4.8	Guarnizione ad anello	68
3.4.9	Dispositivo di protezione	69
3.4.10	Resistenza alle vibrazioni	69
3.4.11	Sistema di collegamento	69
3.4.12	Freno di stazionamento	71
3.4.13	Ventola per AKM7	71
3.4.14	Washdown e Washdown Food	72
3.5	Installazione meccanica	75
3.5.1	Indicazioni importanti	75
3.6	Installazione elettrica	76
3.6.1	Indicazioni importanti	76
3.6.2	Guida ad installazione elettrica	77
3.6.3	Collegamento dei motori con cavi preconfezionati	77
3.7	Messa in funzione	78
3.7.1	Indicazioni importanti	78
3.7.2	Guida ad messa in funzione	79
3.7.3	Eliminazione dei guasti	80
3.8	Definizioni dei dati tecnici	81

3.1 Indicazioni generali

3.1.1 Questo manuale

Questo manuale descrive i servomotori sincroni della serie AKM (versione standard). Se i motori vengono utilizzati in un sistema di azionamento insieme ai servoamplificatori Kollmorgen. Attenersi pertanto alla documentazione dei prodotti composta da:

- Manuale di istruzioni del servoamplificatore
- Manuale comunicazione bus (per esempio CANopen o EtherCAT)
- Aiuto in linea del software operativo del servoamplificatore
- Manuale regiona ledegli accessori
- Descrizione tecnica dei motori serie AKM

Più informazioni di base possono essere trovate nel nostro "Prodotto WIKI", disponibile a www.wiki-kollmorgen.eu.

3.1.2 Abbreviazioni utilizzati

INFORMAZIONI Abbreviazioni utilizzate per i dati tecnici si veda il capitolo "Definizioni" (→ #81).
In questo documento, il simbolismo (→ #63) significa: vedere a pagina 63.

3.1.3 Simboli usati

Simbolo	Indicazione
 PERICOLO	Indica una situazione pericolosa che, se non evitata, provoca morte o lesioni gravi.
 AVVERTENZA	Indica una situazione pericolosa che, se non evitata, provoca morte o lesioni gravi.
 ATTENZIONE	Indica una situazione pericolosa che, se non evitata, provoca lesioni non gravi o moderate.
 AVVISO	Questo non è un simbolo di sicurezza. Questo simbolo indica una situazione pericolosa che, se non evitata, provoca danni materiali.
 INFORMAZIONI	Questo non è un simbolo di sicurezza. Questo simbolo indica note importanti.
	Avviso di pericolo (generale). Il tipo di pericolo è specificato nel testo a fianco.
	Avviso di pericolo dovuto all'elettricità e ai suoi effetti.
	Avviso di pericolo per la presenza di superfici calde.
	Avvertimento di un carico sospeso

3.2 Sicurezza

Questo capitolo vi aiuta a riconoscere e a evitare pericoli per persone e cose.

3.2.1 Attenersi a queste indicazioni!

È necessario l'intervento di personale tecnico qualificato!

I lavori di trasporto, montaggio, messa in funzione e manutenzione si possono affidare esclusivamente a personale tecnico qualificato, che abbia familiarità con il trasporto, l'installazione, il montaggio, la messa in funzione e il funzionamento dei motori e che disponga di opportune qualifiche per lo svolgimento di tali attività:

- Trasporto: solo a cura di personale con nozioni di movimentazione componenti sensibili alle cariche elettrostatiche.
- Installazione mecc.: solo da parte di meccanici specializzati
- Installazione elett.: solo a cura di elettricisti qualificati.
- Configurazione: solo a cura di personale qualificato con nozioni approfondite in materia di elettrotecnica e tecnologia di azionamento.

Il personale tecnico deve conoscere e osservare IEC 60364 / IEC 60664 e disposizioni antinfortunistiche nazionali.

Leggere la documentazione!

Leggere prima dell'installazione della documentazione disponibile. L'errata manipolazione del motore può comportare danni a persone o a cose. L'operatore è quindi tenuto ad assicurarsi che tutto il personale addetto a lavori con i motori abbia letto e compreso il manuale e che le indicazioni di sicurezza riportate nel manuale siano rispettate.

Rispettare i dati tecnici!

Osservare i dati tecnici e le indicazioni sulle condizioni di collegamento (targhetta di omologazione e documentazione). Se i valori di tensione e di corrente superano quelli consentiti, possono verificarsi danni ai motori, per esempio in seguito al surriscaldamento.

Eseguire l'analisi dei rischi!

Il produttore è tenuto a realizzare un'analisi dei rischi per il macchinario e ad adottare le misure necessarie, affinché eventuali movimenti imprevisti non causino danni a persone o a cose. L'analisi dei rischi potrebbe comportare la necessità di ulteriori requisiti per il personale tecnico.

Trasportare in modo sicuro!

Sollevarre e spostare motori con un peso superiore ai 20 kg (AKM7 e AKM8) solo con l'ausilio di opportuni dispositivi di sollevamento. Sollevare i motori senza dispositivi ausiliari può causare lesioni alla schiena. Attenersi alle indicazioni riportate a (→ # 60)

Fissare la chiavetta!

Se il motore ruota liberamente rimuovere/fissare l'eventuale chiavetta dell'albero per evitare l'espulsione con conseguente pericolo di lesioni. Al momento della consegna, la chiave è protetta da un cappuccio in plastica.

Superficie calda!

Durante il funzionamento i motori possono presentare superfici calde a seconda del loro grado di protezione. Pericolo di ustioni! La temperatura superficiale può varcare i 100°C. Misurare la temperatura e attendere che il motore abbia raggiunto i 40°C prima di toccarlo.





Messa a terra! Alta tensione!

Assicurare la regolare messa a terra della carcassa del motore con la bandella PE all'interno dell'armadio di distribuzione come potenziale di riferimento. Senza una messa a terra a bassa impedenza non viene garantita la sicurezza personale e sussiste pericolo di morte per scosse elettriche.

La mancanza di indicazioni ottiche non garantisce l'assenza di tensione. I collegamenti di potenza possono condurre tensione anche a motore fermo.

Non scollegare nessun connettore durante il funzionamento. Rischio di morte o gravi lesioni personali in caso di contatto con i contatti liberi. I collegamenti di potenza possono condurre tensione anche a motore fermo. In casi sfavorevoli possono venire a crearsi archi voltaici con conseguenti danni a carico di persone e cose.

Dopo aver scollegato i servoamplificatori dalle tensioni di alimentazione attendere parecchi minuti prima di toccare i componenti sotto tensione (ad esempio contatti, perni filettati) o di allentare collegamenti.

I condensatori nel servoamplificatore conducono tensioni pericolose parecchi minuti dopo la disinserzione delle tensioni di alimentazione. Per sicurezza, misurare la tensione nel circuito intermedio e attendere fino a quando il valore è sceso al di sotto dei 60V.

Fissare opportunamente i carichi sospesi!



I freni di stazionamento integrati non garantiscono la sicurezza funzionale! In presenza di carichi sospesi (assi verticali) è necessario utilizzare un freno meccanico esterno aggiuntivo per garantire la sicurezza del personale.

3.2.2 Uso conforme

- I servomotori sincroni della serie AKM sono stati concepiti in modo particolare come azionamento per dispositivi di movimentazione, macchine tessili, macchine utensili, confezionatrici e simili con elevati requisiti in termini di dinamica.
- Azionare i motori solo nel rispetto delle condizioni stabilite nella presente documentazione.
- Il funzionamento dei motori **Washdown** in ambienti con soluzioni alcaline e acidi corrosivi è consentito alle condizioni definite a (→ # 72).
- Il funzionamento dei motori **Washdown Food** è consentito in applicazioni a contatto indiretto con gli alimenti.
- I motori della serie AKM sono **esclusivamente** destinati ad essere comandati da servoamplificatori digitali con regolazione della velocità e/o della coppia.
- I motori vengono montati come componenti su impianti o macchine elettriche e possono essere messi in funzione solo come componenti integrati dell'impianto.
- Si richiedono l'analisi e il monitoraggio del termosensore di protezione montato negli avvolgimenti del motore.
- I freni di stazionamento sono predisposti come freni di stazionamento e non sono adatti per frenare in modo continuo durante il funzionamento.
- Garantiamo la conformità del servosistema alle norme menzionate nella EC Declaration of Conformity a (→ # 207) solo se vengono utilizzati componenti originali (servoamplificatori, motore, cavi, e così via) di Kollmorgen.

3.2.3 Uso conforme vietato

- Il funzionamento di motori **standard** non è consentito
 - direttamente dalla rete,
 - in ambienti a rischio di esplosione,
 - a contatto con gli alimenti,
 - in ambienti con oli, vapori, polveri, soluzioni alcaline, acidi corrosivi e/o conduttivi.
- Il funzionamento di motori **Washdown** non è consentito
 - direttamente dalla rete,
 - in ambienti a rischio di esplosione,
 - a contatto con gli alimenti,
 - in ambienti con acidi o soluzioni alcaline con un valore del PH inferiore a 2 o superiore a 12,
 - in ambienti con acidi o soluzioni alcaline non testati da Kollmorgen.
- Il funzionamento di motori **Washdown Food** non è consentito
 - direttamente dalla rete,
 - in ambienti a rischio di esplosione,
 - a contatto diretto con gli alimenti..
- L'uso conforme del motore è vietato quando la macchina cui è destinato
 - non è conforme alle disposizioni della Direttiva Macchine
 - non soddisfa le disposizioni della Direttiva sulla Compatibilità Elettromagnetica
 - non soddisfa le disposizioni della Direttiva Bassa Tensione
- Per garantire la sicurezza funzionale non vanno utilizzati i freni di stazionamento senza ulteriori dispositivi.

3.2.4 Maneggiamento

3.2.4.1 Trasporto

- Classe climatica 2K3 secondo EN61800-2, IEC 60721-3-2
- Temperatura :da -25 a +70°C, variazione max. 20K/ora
- Umidità atmosferica:umidità relativa del 5% 95% senza condensa
- Solo da parte di personale qualificato in imballaggio originale riciclabile del produttore
- Evitare urti violenti, in particolare sull'estremità dell'albero
- In caso di imballaggio danneggiato, verificare che il motore non presenti danni visibili. Informarne il trasportatore ed eventualmente il produttore.

Trasporto di motori con un peso superiore a 20 kg

Gli anelli di sollevamento vengono utilizzati per trasportare i motori AKM7 e AKM8 (> 20 kg) in sicurezza.

Rispettare le istruzioni di trasporto allegate alla confezione del motore. Sugeriamo l'attrezzo ZPZM 120/292 di trasporto per lo spostamento dei motori.

L'unità ZPMZ 120/292 della sospensione consiste di un fascio, sospeso al gancio della gru e due doppio-fanno funzionare le bretelle chain.

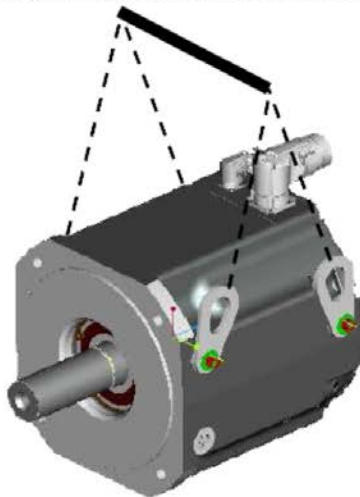


PERICOLO

Carico sospeso. Pericolo di morte in caso di caduta del carico. Quando si esegue la procedura di sollevamento non restare mai sotto il carico.

- Le viti di montaggio degli anelli di sollevamento devono essere serrate completamente.
- Gli anelli di sollevamento devono essere posizionati sulla superficie di supporto in maniera uniforme e in piano.
- Prima dell'utilizzo, verificare che gli anelli di sollevamento siano correttamente montati e privi di danni evidenti (corrosione, deformazione).
- Se si individuano delle deformazioni gli anelli di sollevamento non devono essere utilizzati.

B1/ 4 x LIFTING BOLT PLUS LIFTING BEAM



B2/ 2 x LIFTING BOLT PLUS LIFTING BEAM



B3/ 2 x LIFTING BOLT PLUS LIFTING BEAM



3.2.4.2 Imballaggio

- Imballaggio del cartone con rivestimento di Instapak®.
- Potete restituire la parte di plastica al fornitore (veda "Smaltimento")

Tipo	Imballaggio	Altezza max. d'impilaggio	Tipo	Imballaggio	Altezza max. d'impilaggio
AKM1	Cartone	10	AKM5	Cartone	5
AKM2	Cartone	10	AKM6	Cartone	1
AKM3	Cartone	6	AKM7	Cartone	1
AKM4	Cartone	6	AKM8	Cartone	1

3.2.4.3 Stoccaggio

- Classe climatica 1K4 secondo EN61800-2, IEC 60721-3-2
- Temperatura di stoccaggio da -25 a +55°C, variazione max. 20K/ora
- Umidità atmosferica um. rel. del 5% 95% senza condensa
- Solo in imballaggio originale riciclabile del produttore
- Per l'altezza d'impilaggio max. ved. tabella nella sezione "Imballaggio"
- Durata a magazzino illimitata

3.2.4.4 Manutenzione / Puliza

- Solo da parte di personale qualificato
- Dopo 20.000 ore d'esercizio alle condizioni nominali occorre sostituire i cuscinetti a sfere.
- Controllare il motore ogni 2500 ore d'esercizio o una volta l'anno per verificare la rumorosità dei cuscinetti a sfere. Se si riscontrano rumori evitare di utilizzare il motore i cuscinetti devono essere sostituiti.
- L'apertura dei motori comporta l'annullamento della garanzia.
- Pulizia con isopropanolo o similari, non immergere o nebulizzare

3.2.4.5 Riparazioni / Smaltimento

Il motore può essere riparato unicamente dal fabbricante; l'apertura dell'apparecchio annulla automaticamente la garanzia. Nell'accordo al WEEE-2002/96/EG-Guidelines prendiamo i vecchi dispositivi ed accessori indietro per eliminazione professionale, se i costi del trasporto sono rilevati il mittente. Trasmetta i dispositivi a:

KOLLMORGEN Europe GmbH
 Pempelfurtstr. 1
 D-40880 Ratingen

3.3 Identificazione del prodotto

3.3.1 Dotazione

- Motore della serie AKM
- Manuale Prodotto (multi linguale), uno per consegna

3.3.2 Targhetta di omologazione

Nei motori standard la targhetta di omologazione è saldamente incollata lateralmente sul carter. Nei motori Washdown i dati della targhetta di omologazione sono incisi lateralmente sul carter, per ogni unità di imballaggio è prevista una targhetta supplementare.

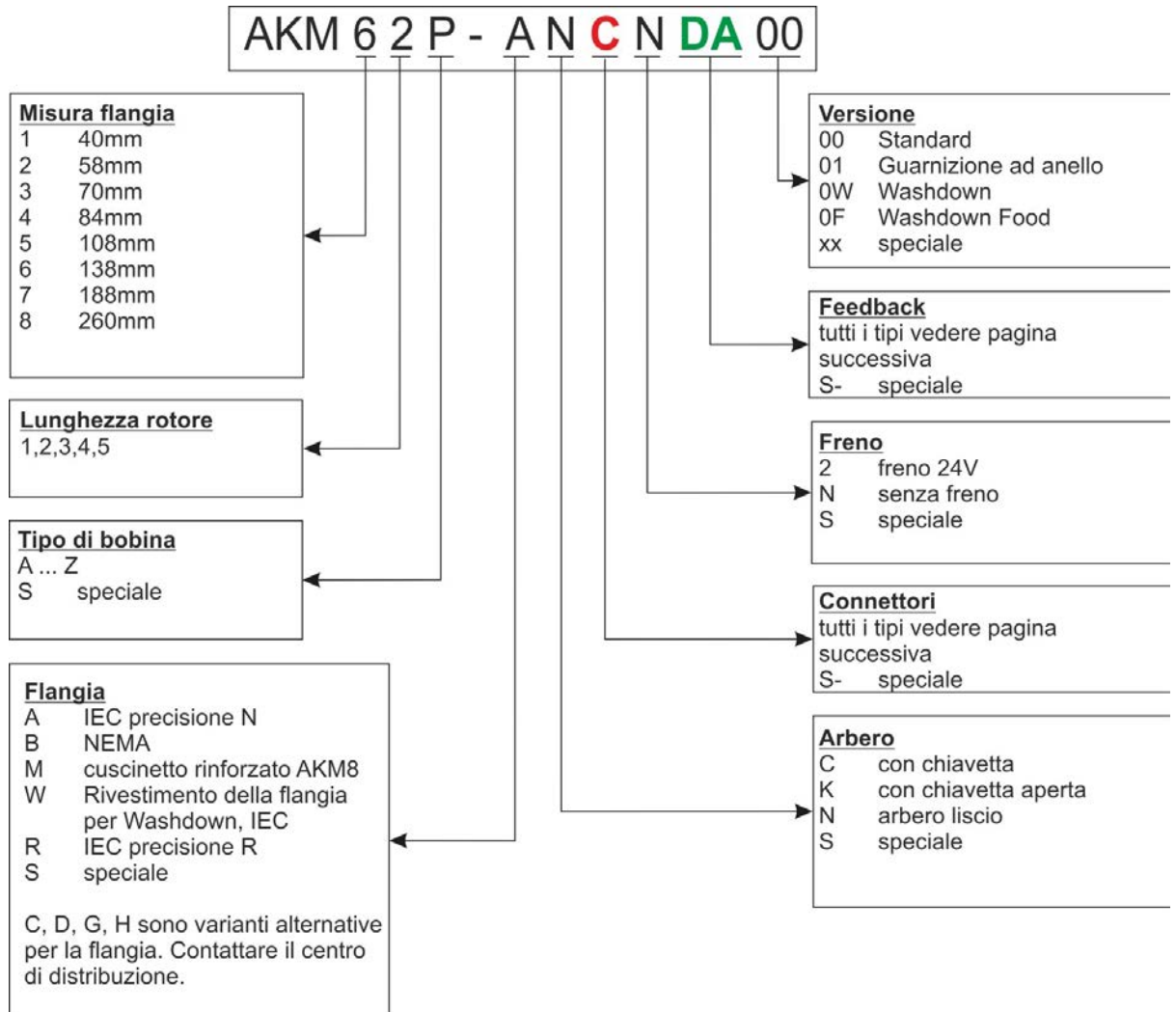


Legend:

MODEL	tipo del motore
CUST P/N	numero del pezzo del cliente
Ics	I0rms (corrente continuativa allo stallo)
Tcs	M0 (coppia continuativa allo stallo)
Vs	Un (tensione di circuito intermedio)
Nrtd	nn (velocità nominale @ Un)
Prtd	Pn (potenza nominale)
Rm	R25 (resistenza avvolgimento @ 25°)
SERIAL	numero di serie
AMBIENT	temperatura ambiente max.

L'anno di fabbricazione è codificato nel numero di serie: le prime due cifre del numero di serie sono l'anno di fabbricazione, per esempio "14" significa 2014.

3.3.3 Codici dei modelli



3.3.3.1 Opzioni di connettori (C)

L'assegnazione dei connettori per le opzioni è descritta da (→ # 200).

Descrizione tecnica dei connettori vedere Product Wiki ([Mating Connectors](#)).

Descrizione di connessioni

Connettore	Uso*	Numero di poli Potenza/Segnal- e	Corrente max. [A] Potenza/Segnal- e	Sezione max. [mm ²] Potenza/Segnal- e	Grado di protezion- e	Connettore di accoppiamento consigliato
M23 SpeedTec Ready (dim. 1.0)	Potenza & Freno	4 / 4	30 / 10	4 / 1.5	IP65	BSTA-108-NN-00-08-0036
	Feedback	- / 12	- / 10	- / 0.5	IP65	ASTA-021-NN-00-10-0035
	Feedback	- / 17	- / 9	- / 0.5	IP65	ASTA-035-NN-00-10-0035
	Ibrido*	4 / 4	30 / 10	4 / 1.5	IP65	BSTA-108-NN-00-08-0036
M40 (dim. 1.5)	Potenza & Freno	4 / 2	75 / 30	16 / 4	IP65	CSTA-263-NN-00-26-0001
M12	DRIVE- CLiQ	- / 8	- / 2	- / 0,5	IP65	Standard Siemens Drive- Cliq cavo
M23-6	DRIVE- CLiQ	6 / -	30 / -	4 / -	IP65	
i-tec	Ibrido*	4 / 5	14 / 3.6	1.5 / 0.75	IP65	ESTB-202-NN-00-1110-0500
y-tec	Potenza & Freno	4 / 5	14 / 3.6	1.5 / 0.75	IP65	ESTB-202-NN-00-31-0500
	Feedback	- / 12	- / 5	- / 0.75	IP65	ESTB-002-NN-00-31-0001
	Feedback	- / 15	- / 5	- / 0.75	IP65	ESTB-205-NN-00-31-0002
Scatola morsettiera	Potenza & Freno	4 / 2	150 / 15	25 / 2.5	IP65	-

* Hybrid significa: potenza e feedback (freno) sullo stesso connettore e una linea.

Riferimenti Connettore-Motore

PTC*	KTY 84- 130*	KTY 83- 110*	Tipo di connessione	Utilizzabile con	Posizione del connettore
B	1	3	2 connettori SpeedTec Ready	AKM2	Angolari, girevoli, sul motore
C	7	-	2 connettori SpeedTec Ready	AKM1-AKM2	Su cavo da 0,5 m
C	1	3	2 connettori SpeedTec Ready	AKM3-AKM7 (≤23, 5A)	Angolari, girevoli, sul motore
D**	-	D**	1 connettore ibrido i-tec	AKM1	Sul motore
D**	-	D**	1 connettore ibrido SpeedTec Ready	AKM2-AKM6	Angolari, girevoli, sul motore
G	-	-	2 connettori SpeedTec Ready	AKM2-AKM6	Diritti, sul motore
H	1	3	1 connettore potenza M40, 1 connettore Feedback SpeedTec Ready	AKM7 & AKM82T	Angolari, girevoli, sul motore
-	R**	-	1 connettore potenza M23-6, 1 connettore Feedback M12	AKM4-AKM7 (≤23, 5A)	Sul motore M23-6 angolari, girevoli. M12 diritti.
T	2	4	1 scatola morsettiera, 1 connettore Feedback SpeedTec Ready	AKM8	Sul motore
-	U**	-	1 connettore potenza M23-6, 1 connettore Feedback M12	AKM4-AKM7 (≤23, 5A)	Diritti, sul motore
Y	1	3	1 connettore y-tec	AKM1	Sul motore

* Sensore di temperatura PTC o KTY (→ # 69)

** Con l'opzione connettore D, R e U del tipo di sensore di temperatura dipende dal feedback, vedi (→ # 66)

3.3.3.2 Unità di retroazione (DA)

La lunghezza del motore dipende dall'unità di retroazione montata, vedere i disegni quotati da (→ # 186). Non è possibile integrare l'unità in un secondo tempo. L'assegnazione dei connettori è descritta da (→ # 200).

Descrizione tecnica del feedback sistemi vedere Product Wiki ([MultiFeedback](#)).

Descrizione Feedback

Code	Descrizione	Tipo	Commento	Lignes par tour	Numero di giri	Utilizzabile con amplificatori
1-	Comcoder	EPC 15T	Single Turn, ottico	1024	1	tutto
2-	Comcoder	EPC 15T	Single Turn, ottico	2048	1	tutto
AA	BiSS B Encoder	AD34/AD58	Single Turn, ottico	2048	1	tutto
AB	BiSS B Encoder	AD34/AD58	Multi Turn, ottico	2048	4096	tutto
C-	SFD, 4 lines	Size 10/15/21	Single Turn, induttivo	11bit	1	AKD
CA	SFD3, 2 lines	Size 10/15/21	Single Turn, induttivo	11bit	1	AKD,S700
DA	EnDAT 2.1 Encoder	ECN1113/131-3	Single Turn, ottico	512/2048*	1	tutto
DB	EnDAT 2.1 Encoder	EQN1125/132-5	Multi Turn, ottico	512/2048*	4096	tutto
LA	EnDAT 2.1 Encoder	ECI1118/1319	Single Turn, induttivo	16/32**	1	tutto
LB	EnDAT 2.1 Encoder	EQI1130/1331	Multi Turn, induttivo	16/32**	4096	tutto
MA	DRIVE-CLiQ Encoder	ECN1324S	Safety Single Turn, ottico	24bit	1	Siemens
MB	DRIVE-CLiQ Encoder	EQN1336S	Safety Multi Turn, ottico	24bit	4096	Siemens
GA	HIPERFACE Encoder	SKS36	Single Turn, ottico	128	1	Sx
GB	HIPERFACE Encoder	SKM36	Multi Turn, ottico	128	4096	Sx
GC	HIPERFACE Encoder	SEK34	Single Turn, capacitivo	16	1	Sx
GD	HIPERFACE Encoder	SEL34	Multi Turn, capacitivo	16	4096	Sx
GE	HIPERFACE DSL Encoder	EKS36	Single Turn, ottico	18bit	1	AKD,S700
GF	HIPERFACE DSL Encoder	EKM36	Multi Turn, ottico	18bit + 12bit	4096	AKD,S700
GJ	HIPERFACE Encoder	SKS36	Single Turn, ottico	128	1	AKD
GK	HIPERFACE Encoder	SKM36	Multi Turn, ottico	128	4096	AKD
GM	Safe HIPERFACE Encoder	SKS36S	Safety, come GJ , SIL2, PLd, Cat.3	128***	1	AKD
GN	Safe HIPERFACE Encoder	SKM36S	Safety, come GK , SIL2, PLd, Cat.3	128***	4096	AKD
GP	HIPERFACE Encoder	SEK34	Single Turn, capacitivo	16	1	AKD
GR	HIPERFACE Encoder	SEL34	Multi Turn, capacitivo	16	4096	AKD
R-	Resolver	Size 10/15/21	Single Turn, induttivo	2 poli	1	tutto

* x/y dati per AKM2-4/AKM5-8

** x/y dati per AKM2-3/AKM4-8

*** Certificati per "safety feedbacks": consultare Product-WIKI ([Approvals](#)) o websiteKollmorgen.

Riferimenti Feedback-Motore

Connettore (PTC/KTY83-110)		B/1	C/1	C/7 (cavo)	D/D	G/-	H/1	-/R	T/2	-/U	Y/1
Code	Feedback	Utilizzabile con AKM...									
1-	Comcoder	2	3-7	1-2	-	2-6	7,82T	-	8	-	1
2-	Comcoder	2	3-7	1-2	-	2-6	7,82T	-	8	-	1
AA	BiSS B	2	3-7	2	-	2-6	7,82T	-	8	-	-
AB	BiSS B	2	3-7	2	-	2-6	7,82T	-	8	-	-
C-	SFD*	2	3-7	1-2	1-6 (PTC)	2-6	7,82T	-	8	-	1
CA	SFD3	-	-	-	1-6 (KTY)	-	-	-	-	-	-
DA	EnDAT 2.1	2	3-7	2	-	2-6	7,82T	-	8	-	-
DB	EnDAT 2.1	2	3-7	2	-	2-6	7,82T	-	8	-	-
LA	EnDAT 2.1	2	3-7	2	-	2-6	7,82T	-	8	-	-
LB	EnDAT 2.1	2	3-7	2	-	2-6	7,82T	-	8	-	-
MA	DRIVE-CLiQ**	-	-	-	-	-	-	4-7	-	4-7	-
MB	DRIVE-CLiQ**	-	-	-	-	-	-	4-7	-	4-7	-
GA	Hiperface	2	3-7	2	-	2-6	7,82T	-	8	-	-
GB	Hiperface	2	3-7	2	-	2-6	7,82T	-	8	-	-
GC	Hiperface	-	-	1	-	-	-	-	-	-	1
GD	Hiperface	-	-	1	-	-	-	-	-	-	1
GE	Hiperface DSL	-	-	-	2-6 (KTY)	-	-	-	-	-	-
GF	Hiperface DSL	-	-	-	2-6 (KTY)	-	-	-	-	-	-
GJ	Hiperface	2	3-7	2	-	2-6	7,82T	-	8	-	-
GK	Hiperface	2	3-7	2	-	2-6	7,82T	-	8	-	-
GM	Safe Hiperface***	2	3-7	2	-	2-6	7,82T	-	8	-	-
GN	Safe Hiperface***	2	3-7	2	-	2-6	7,82T	-	8	-	-
GP	Hiperface	-	-	1	-	-	-	-	-	-	1
GR	Hiperface	-	-	1	-	-	-	-	-	-	1
R-	Resolver	2	3-7	1-2	-	2-6	7,82T	-	8	-	1

* Nessun freno

** Sensore di temperatura secondo le attuali esigenze di Siemens. Per ulteriori informazioni contattare Kollmorgen.

*** Solo con sensore di temperatura PTC

3.4 Descrizione tecnici

3.4.1 Dati tecnici generali

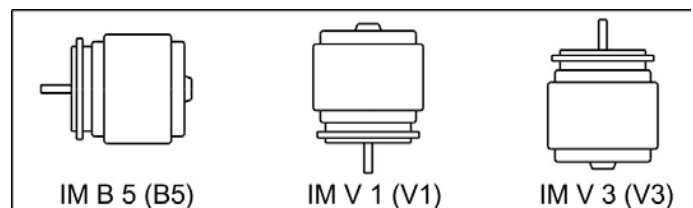
Temperatura ambiente (ai dati nominali)	da 5 a +40°C ad un'altitudine d'installazione fino a 1000 m sopra il livello del mare. In caso di temperature ambiente superiori ai 40°C e di motori in esecuzione chiusa contattare il nostro settore applicazioni.
Umidità atmosferica ammessa (ai dati nominali)	Umidità relativa dell'95%, non soggetta a condensa
Riduzione delle prestazioni (correnti e coppie)	1%/K in un intervallo da 40°C a 50°C fino a 1000m sopra il livello del mare (LdM) 6% a 2000 m sopra il LdM 17% a 3000 m sopra il LdM 30% a 4000 m sopra il LdM 55% a 5000 m sopra il LdM Nessuna riduzione delle prestazioni ad altitudini oltre i 1000 m sopra il LdM e riduzione della temperature di 10K/1000m
Durata dei cuscinetti a sfere	≥ 20.000 ore d'esercizio

INFORMAZIONI

Per i dati tecnici di ogni tipo di motore consultare il capitolo "Technical Data" da (→ # 167).

3.4.2 Forma costruttiva

I modelli base dei servomotori sincroni AKM hanno forma costruttiva IM B5 secondo EN 60034-7.



3.4.3 Flangia

Flangia conformi a norma IEC: precisione secondo DIN 42955. Tolleranze di albero di prolungamento run-out e di flange di montaggio per macchine elettriche rotanti.

Code	Flangia
A	IEC con una precisione N, accoppiamento AKM1: h7, accoppiamento AKM2-8: j6
R	IEC con una precisione R, accoppiamento AKM1: h7, accoppiamento AKM2-8: j6
M	IEC con una precisione N, accoppiamento j6, cuscinetto rinforzato, solo AKM8
W	IEC, accoppiamento j6, rivestimento della flangia per motori Washdown o Washdown Food
B	NEMA, le dimensioni possono essere trovati nel <i>AKM Selection Guide</i> (Kollmorgen Website, US-English)

3.4.4 Grado di protezione

Motor Standard	Connettore	Anello di Tenuta	Grado di protezione
AKM1	C, D	sin	IP40
AKM1	C, D	con	IP65
AKM2-AKM8	B, C, D, G, H, T	sin	IP54
AKM8	H, T	sin	IP52
AKM2-AKM8	B, C, D, G, H, T	con	IP65

Motor Standard	Connettore	Anello di Tenuta	Grado di protezione
AKM2-AKM6 Washdown / Washdown Food	B, C, D, G	con	IP67

3.4.5 Classe di isolamento

I motori sono conformi alla classe isolante F secondo IEC 60085 (UL 1446 class F)..

3.4.6 Superficie

I motori sono ricoperti di rivestimento della polvere del poliestere nel nero opaco non resistente ai solventi (tricloroetilene, diluenti o altro).

3.4.7 Estremità di uscita albero

La trasmissione della forza ha luogo attraverso l'estremità cilindrica di uscita dell'albero, accoppiamento k6 (AKM1: h7) secondo EN 50347 con filettatura di serraggio ma **senza sede per chiavetta**. I motori sono disponibili con scanalatura e chiave inserita anche secondo la norma DIN6885. L'albero con chiavetta è equilibrato con il tasto breve (metà).

Per la durata dei cuscinetti sono state calcolate come base 20.000 ore d'esercizio.

Codice	Arbero	Disponibile per
N	Arbero liscio	Tutti i tipi, standard
C	Chiavetta, chiuso	AKM 2...8
K	Chiavetta, aperta	AKM 1...8

Forca radiale

Se i motori si azionano mediante pignone o cinghie dentate vengono a determinarsi forze radiali elevate. I valori ammessi sull'estremità dell'albero, in funzione del numero di giri, sono indicati nei diagrammi nel cap. "Dimensions" (→ # 186). I valori massimi si trovano nei dati tecnici (→ # 167). In caso di applicazione della forza al centro dell'estremità libera dell'albero, il valore di FR può essere maggiore del 10%.

Forza assiale

Mentre pignoni o rotelle di montaggio all'asse o nel caso di uso del sistema d'ingranaggi angolare delle forze assiali presenti. I valori massimi si trovano nei dati tecnici.

Accoppiamenti

Come elementi di accoppiamento idealmente privi di gioco si sono rivelate valide le Pinze a doppio cono eventualmente abbinate a accoppiamenti con attacchi metallici a soffiello.

3.4.8 Guarnizione ad anello

Se AKM su una flangia di macchina con range di frequenza non protetto deve essere accoppiato, guarnizione ad anello (opzione 01) garantisce la tenuta.

- La tenuta dell'albero Teflon garantisce la protezione IP67 nel campo dell'albero motore.
- Il rating del motore può essere raggiunto dopo poche ore (run-in) durante il normale funzionamento. Non è necessaria una procedura speciale di run-in.
- Può formare Teflon abrasione. Ciò non compromette la funzione.
- Il funzionamento della tenuta meccanica per il funzionamento a secco non è permesso. Quando è necessario il funzionamento a secco, chiedere a Kollmorgen da una soluzione speciale.
- Tenuta dell'albero è pre-lubrificato con grasso FDA.

3.4.9 Dispositivo di protezione

Nella versione standard ogni motore dispone di un PTC a potenziale zero. Il punto di commutazione è a $155^{\circ}\text{C} \pm 5\%$. Questo PTC non offre alcuna protezione nei confronti di sovraccarichi brevi molto elevati.

In via opzionale il motore può essere dotato di un sensore KTY 83-110, KTY 84-130 ((vedere opzione di collegamento 1, 2, 7 e D on (→ # 200)(→ # 64). Con sistema di feedback digitale SFD, SFD3, DSL (C-, CA, GE, GF) lo stato del sensore di temperatura è trasmesso digitalmente e valutato nell' servoamplificatore.

Utilizzando il nostro cavo per feedback pre confezionato il sensore è integrato nel sistema di controllo dei servoamplificatori.

3.4.10 Resistenza alle vibrazioni

I motori sono eseguiti con resistenza alle vibrazioni A secondo EN 60034-14. Per un campo di velocità compreso tra 600 e 3600 giri/m e un asse di altezza compresa tra 56 e 132 mm questo determina un'ampiezza di oscillazione ammessa di 1,6 mm/s come valore efficace.

Velocità [rpm]	max. rel. Spostamento Vibratorio [μm]	max. Run-out [μm]
≤ 1800	90	23
> 1800	65	16

3.4.11 Sistema di collegamento

3.4.11.1 Connettore

Descrizioni dei connettori disponibili: (→ # 64). Pinout del connettore: (→ # 200).

3.4.11.2 Sezioni dei cavi

Cavo di potenza, cavo combinato

I cavi combinati contengono oltre ai 4 fili di potenza anche due fili dei freni schermati.

Cavo	Sezione Cavo combinato	Capacità di corrente	Commento
(4x1)	(4x1+(2x0.75))	$0\text{A} < I_{0\text{rms}} \leq 10.1\text{A}$	Le parentesi (...) indicano la schermatura.
(4x1.5)	(4x1.5+(2x0.75))	$10.1\text{A} < I_{0\text{rms}} \leq 13.1\text{A}$	
(4x2.5)	(4x2.5+(2x1))	$13.1\text{A} < I_{0\text{rms}} \leq 17.4\text{A}$	
(4x4)	(4x4+(2x1))	$17.4\text{A} < I_{0\text{rms}} \leq 23\text{A}$	Capacità di corrente secondo EN60204-1:2006, Tabella 6, colonna B2
(4x6)	(4x6+(2x1))	$23\text{A} < I_{0\text{rms}} \leq 30\text{A}$	
(4x10)	(4x10+(2x1.5))	$30\text{A} < I_{0\text{rms}} \leq 40\text{A}$	
(4x16)	(4x16+(2x1.5))	$40\text{A} < I_{0\text{rms}} \leq 54\text{A}$	
(4x25)	(4x25+(2x1.5))	$54\text{A} < I_{0\text{rms}} \leq 70\text{A}$	

Cavo di retroazione

Tipo	Sezione	Commento
Resolver, SFD	(4x2x 0.25)	
Encoder	(7x2x 0.25)	BiSS, EnDAT, HIPERFACE
Comcoder	(8x2x 0.25)	Encoder incremental + Hall

Cavo ibrido

Tipo	Sezione	Commento
SFD	$(4 \times 1.0 + 2 \times (2 \times 0.75))$	4 fili di potenza, 4 fili di trasmissione per SFD
SFD	$(4 \times 1.5 + 2 \times (2 \times 0.75))$	
SFD3/DSL	$(4 \times 1.0 + (2 \times 0.34) + (2 \times 0.75))$	o
SFD3/DSL	$(4 \times 1.5 + (2 \times 0.34) + (2 \times 0.75))$	4 fili di potenza & 2 fili di freno &
SFD3/DSL	$(4 \times 2.5 + (2 \times 0.34) + (2 \times 1.0))$	2 fili di trasmissione per SFD3/DSL
SFD3/DSL	$(4 \times 4 + (2 \times 0.34) + (2 \times 1.0))$	

Descrizione tecnica del cavo ibrido vedere Product Wiki ([Hybrid Cables](#)).

3.4.12 Freno di stazionamento

I motori sono disponibili a scelta con freno di stazionamento integrato. Il freno di tipo a molla (24VDC) blocca il rotore quando non è applicata tensione. In presenza del freno di stazionamento integrato la lunghezza del motore aumenta.



AVVERTENZA

Se in caso di carichi sospesi (assi verticali) il freno di arresto del motore è rilasciato e nello stesso tempo il servoazionamento non è attivo, il carico può cadere! Pericolo di lesioni per il personale addetto alla macchina. Per garantire la sicurezza funzionale in presenza di carichi sospesi (assi verticali) è necessario utilizzare un freno meccanico esterno aggiuntivo.

AVVISO

I freni di stazionamento sono predisposti come freni di stazionamento e non sono adatti per frenare in modo continuo durante il funzionamento. In caso di frenature operative frequenti è prevedibile l'usura prematura del freno di stazionamento.

I freni di stazionamento possono essere comandati direttamente dal servoamplificatore (non garantisce la sicurezza delle persone); il rilascio dell'avvolgimento del freno in questo caso avviene nel servoamplificatore non è necessario alcun componente supplementare. Se il freno di stazionamento non viene comandato direttamente dal servoamplificatore occorre il cablaggio di un componente supplementare (ad esempio un varistore). Contattare a questo proposito il nostro supporto tecnico.

3.4.13 Ventola per AKM7

Per le dimensioni AKM7 è disponibile un kit per la ventilazione forzata. La ventola montata consente un'erogazione di potenza dei motori AKM7 fino al 30% superiore. Nell'imballaggio del kit sono contenute istruzioni di montaggio relative al kit per la ventola.



L'alloggiamento del ventilatore può essere fissato utilizzando solo le squadre di fissaggio in dotazione o con l'aggiunta dei perni distanziatori, anch'essi forniti in dotazione. La scelta del metodo di fissaggio più idoneo dipende dall'applicazione. Qualora sia prevista la presenza di forti vibrazioni, utilizzare per sicurezza sia le squadre di fissaggio che i perni distanziatori. Per i motori con freno integrato sono necessari i perni distanziatori lunghi.

AVVISO

Garantire il libero afflusso d'aria sulla griglia del ventilatore e mantenere uno spazio libero di circa 25 mm dietro alla griglia.

Con la convezione forzata i motori si sporcano in misura notevolmente maggiore. I depositi di impurità determinano una riduzione della capacità di refrigerazione e possono compromettere il buon funzionamento dei motori. La polvere può bruciare in caso di surriscaldamento. Si raccomanda quindi di pulire regolarmente il condotto di aerazione, il ventilatore e il motore. In caso di motori AKM7 con opzione connettore "C", tipo di bobina "Q" e la ventilazione forzata è necessario limitare la corrente del motore a 23,5 A per la protezione del connettore.

Il montaggio della ventola determina un incremento delle dimensioni dei motori AKM7. I dati tecnici dei motori AKM7 con ventola sono riportati a (→ # 181).

Il disegno quotato dei motori AKM7 con ventola è riportato a (→ # 195).

3.4.14.2 Washdown Food

AKM ^{AAA} - ^{AAAA} - ^A F	Washdown Food senza rivestimento flangia
AKM ^{AAA} -W ^{AAAA} - ^A F	Washdown Food con rivestimento flangia IEC di tipo A

INFORMAZIONI

La superficie dei motori Washdown Food ha superato tutti i test conformemente ai requisiti di migrazione globale della FDA relativi al contatto indiretto con gli alimenti. Non è consentito il contatto diretto con alimenti non imballati.

Campo d'applicazione	Industria degli alimenti e delle bevande, senza contatto diretto con gli alimenti non imballati.
Esempio:	Taglio, imballaggio e riempimento senza contatto diretto con alimenti; il motore è a lato o sotto gli alimenti.
Norme:	UL, CE, RoHs, FDA
Superficie:	Rivestimento bianco
Resistenza:	A detergenti testati (→ # 73), resistente alla corrosione
Global Migration:	US FDA Regulations 21 CFR 175.300, Condition of Use E
Grado di protezione:	IP67
Albero:	Acciaio inossidabile
Guarnizione ad anello:	PTFE secondo FDA
Lubrificante:	Adatto agli alimenti secondo FDA
Connettore:	Acciaio inossidabile, superficie liscia
Viti:	Acciaio inossidabile
Targhetta di omologazione:	Incisa, per ogni unità di imballaggio è prevista una targhetta supplementare
Dimensioni:	AKM2 - AKM6

3.4.14.3 Analisi e verifica delle proprietà nei confronti dei detergenti

Nel laboratorio della ECOLAB Deutschland GmbH è stata analizzata la resistenza delle superfici Washdown e Washdown Food nei confronti dei seguenti detergenti industriali:

- P3-topactive DES
- P3-topactive LA
- P3-topax 56
- P3-topax 66
- P3-topax 91

Le superfici sono state immerse per 28 giorni a temperatura ambiente nel rispettivo detergente. Ciò corrisponde a circa 2500 cicli di lavaggio con almeno 15 minuti di contatto con il detergente o a 1500 cicli di lavaggio con pulizia e successiva disinfezione.

I certificati sono reperibili sul nostro "Prodotto WIKI" alla pagina [Approvals](#).

AVVISO

Kollmorgen fornisce una garanzia sul ciclo di vita dei motori solo se vengono utilizzati i detergenti testati. Su richiesta, Kollmorgen può testare detergenti diversi da quelli indicati sopra ed eventualmente autorizzarne l'uso.

3.4.14.4 Condizioni di montaggio e di utilizzo

- I motori devono essere utilizzati unicamente a temperature comprese tra la temperatura ambiente e 50°C.
- Se la flangia anteriore è rivestita, non è garantita la classe di tolleranza N.

AVVISO

Nei motori muniti di flange, senza rivestimento lavabile, la superficie della flangia deve essere protetta dall'azione dei detergenti mediante un opportuno montaggio.

AVVISO

Durante l'installazione e il funzionamento proteggere il motore da sollecitazioni meccaniche che possono causare graffi o crepe sulle superfici verniciate. Un uso improprio aumenta il rischio di corrosione.

3.4.14.5 Piano di pulizia

Piano di pulizia consigliato con i detergenti testati:

Sciacquare con acqua (40°... 50°C)

Sciacquare a bassa pressione, dall'alto verso il basso nella direzione di scarico. Pulire lo scarico.

Pulizia a schiuma

Pulire dall'alto verso il basso.

Detergenti alcalini	P3-topactive LA or P3-topax 66 (2-5%, 15 minuti al giorno)
Detergenti acidi	P3-topax 56 (2%, minuti se necessario)
Temperatura:	da fredda fino a 40°C

Disinfezione

Spruzzare con acqua (40°... 50°C) a bassa pressione, dall'alto verso il basso

Disinfezione a spruzzo	P3-topax 91 (1-2%, 30-60 minuti se necessario)
Disinfezione a schiuma	P3-topactiv DES (1-3%, 10-30 minuti se necessario)

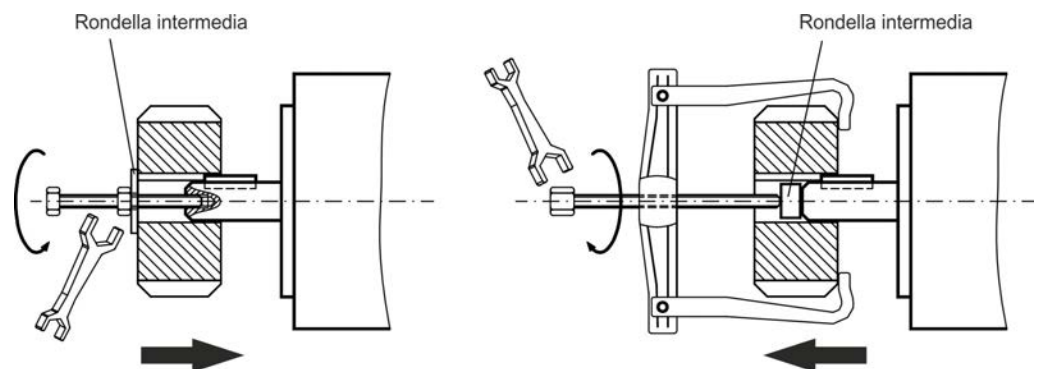
3.5 Installazione meccanica

INFORMAZIONI Le illustrazioni di dimensione possono essere trovate nel (→ # 186).

3.5.1 Indicazioni importanti

INFORMAZIONI Solo personale tecnico con esperienza di montaggio meccanico può montare il motore.

- Proteggere i motori da sollecitazioni non ammesse. Durante il trasporto e la movimentazione non ci devono essere le parti danneggiate.
- Il luogo di installazione deve essere privo di materiali conduttivi e aggressivi. In caso di il montaggio V3 (estremità dell'albero rivolta verso l'alto) assicurarsi che nessun liquido si infiltri nei cuscinetti. In caso di montaggio in esecuzione chiusa consultare prima il nostro settore applicazioni.
- Assicurare la libera ventilazione dei motori e rispettare i valori ammessi per la temperatura ambiente e della flangia. In caso di temperature ambiente superiori ai 40°C consultare prima il nostro settore applicazioni. Garantire una sufficiente dissipazione di calore nell'ambiente e sulla flangia del motore per non superare la temperatura massima ammessa per la flangia.
- In particolare flangia e albero possono trovarsi in una condizione critica durante lo stoccaggio ed il montaggio. Per fissare accoppiamenti, ruote dentate o pulegge utilizzare la filettatura di serraggio prevista per l'albero motore e, se possibile, riscaldare le prese di forza. Urti o l'esercizio di forza eccessiva possono danneggiare cuscinetti a sfere e albero.



- Se possibile impiegare esclusivamente Pinze o accoppiamenti privi di gioco, con accoppiamento per attrito. Assicurarsi che l'accoppiamento sia allineato correttamente. Eventuali spostamenti possono causare vibrazioni non ammesse e possono determinare la rottura dei cuscinetti a sfere e dell'accoppiamento stesso.
- Evitare sempre di sovradimensionare meccanicamente il supporto dell'albero motore usando un accoppiamento rigido e un supporto supplementare esterno (ad esempio nella trasmissione).
- Rispettare il numero di poli del motore e del resolver e nei servoamplificatori utilizzati impostare il numero di poli in modo corretto. Una regolazione errata può comportare danni irreversibili, in particolare nei motori di piccole dimensioni.
- Evitare il più possibile la sollecitazione assiale dell'albero motore. Una sollecitazione assiale riduce notevolmente la durata del motore.
- Verificare il rispetto delle sollecitazioni radiali e assiali ammesse F_R e F_A . Impiegando una trasmissione a cinghia dentata, il diametro minimo ammesso per il pignone viene ad esempio calcolato in base all'equazione: $d_{\min} \geq (M_0/F_R)^*2$

3.6 Installazione elettrica

INFORMAZIONI

Gli assegnazione dei connettori possono essere trovati nel cap. "Connector Pinout" (→ # 186). Pinout di servo amplificatore può essere trovato nella manuale d'istruzione di amplificatore.

3.6.1 Indicazioni importanti

INFORMAZIONI

Solo personale tecnico con esperienza nei collegamenti elettrici può cablare il motore.



PERICOLO

Montare e cablare i motori sempre in assenza di tensione, vale a dire senza inserire la tensione d'esercizio degli apparecchi da collegare.

In caso di contatto con contatti liberi sussiste rischio di morte o di gravi lesioni personali.



Assicurarsi che il quadro elettrico venga disinserito in modo sicuro (blocco, cartelli di avvertenza, e così via). Le singole tensioni verranno inserite solo con la messa in funzione.

Non allentare mai i collegamenti elettrici dei motori sotto tensione. Pericolo di scossa elettrica! In casi sfavorevoli possono venire a crearsi archi voltaici con conseguenti danni a carico di persone e contatti.

I condensatori del servoamplificatore possono presentare cariche residue pericolose fino a 10 minuti dopo l'interruzione della tensione di rete. I collegamenti di comando e di potenza possono condurre tensione anche a motore fermo.

Misurare la tensione nel circuito intermedio e attendere fino a quando il valore è sceso al di sotto dei 60V.

INFORMAZIONI

Il simbolo messa a terra  che si trova in tutti gli schemi di collegamento indica che occorre provvedere ad un collegamento conduttivo il più ampio possibile tra l'apparecchio identificato e la piastra di montaggio nel quadro elettrico ad armadio. Tale collegamento deve consentire la dispersione di interferenze ad alta frequenza e non deve essere confuso con il simbolo di terra  (misura di protezione secondo EN 60204).

Osservare anche le note negli schemi di collegamento delle manuale di istruzioni del servoamplificatore utilizzato.

3.6.2 Guida ad installazione elettrica

- Verificare l'abbinamento tra servoamplificatori e motore. Confrontare la tensione nominale e la corrente nominale degli apparecchi. Eseguire il cablaggio in base allo schema di collegamento riportato sul manuale del servoamplificatore. Il assegnazione dei connettori sono indicati da capitolo "Connector Pinout" (→ # 186).
- Tutti i cavi che conducono correnti elevate devono avere sezione sufficiente secondo EN 60204. Le sezioni consigliate sono indicate nei dati tecnici.

INFORMAZIONI

Nel caso del motore lungo cavo (>25m) ed il dipendente sul tipo del servoamplificatore utilizzato una scatola induttore (3YL / 3YLN) deve essere commutato nel cavo del motore (veda il manuale di istruzioni del servoamplificatore ed il manuale accessorio).

- Assicurarsi che la messa a terra di servoamplificatore e motore venga eseguita a regola d'arte. Per una schermatura e una messa a terra conformi ai requisiti di compatibilità elettromagnetica si vedano le manuale del servoamplificatore utilizzato. Collegare a terra la piastra di montaggio e la carcassa del motore.
- Se il cavo di potenza impiegato per il motore integra i conduttori di comando del freno questi ultimi devono essere schermati. La schermatura deve essere collegata su entrambe le estremità (vedere le istruzioni per l'installazione del servoamplificatore).
- Cablaggio
 - Se possibile, posare separatamente i cavi di potenza e di comando
 - Collegare l'unità di retroazione o encoder
 - Collegare i cavi del motore, l'induttore per motore vicino al servoamplificatore le schermature, su entrambe le estremità, ai morsetti o ai connettori EMC
 - Collegare l'eventuale il freno di stazionamento del motore.
Posare la schermatura su entrambi i lati
- Collegare le schermature in modo da coprire un'ampia superficie (a bassa impedenza), mediante un corpo connettore metallizzato o connettori filettati per cavi conformi ai requisiti sulla compatibilità elettromagnetica.
- Requisiti a materiale dei cavi:

Capacità
Cavo di motore: inferiore a 150 pF/m
Cavodie retroazione: inferiore a 120 pF/m

3.6.3 Collegamento dei motori con cavi preconfezionati

- Eseguire il cablaggio in base alle disposizioni ed alle norme vigenti.
- Per il collegamento di potenza e di retroazione utilizzare esclusivamente cavi schermati preconfezionati di Kollmorgen.
- Schermature non posizionate correttamente possono portare a interferenze EMV e possono pregiudicare il funzionamento del sistema.
- Lunghezza dei cavi max.: attenersi manuali d'istruzione del servoamplificatore.

INFORMAZIONI

Per la descrizione dettagliata dei cavi confezionamento consultare il manuale regionali degli accessori.

3.7 Messa in funzione

3.7.1 Indicazioni importanti

INFORMAZIONI

Solo tecnici con ampie conoscenze di elettrotecnica/tecniche di movimentazione possono mettere in funzione l'unità di azionamento con servoamplificatore/motore.



PERICOLO

Presenza di tensioni letali fino a 900V. Pericolo di scossa elettrica! Verificare che tutti gli elementi di collegamento sotto tensione siano protetti in modo sicuro contro il contatto.

Non allentare mai i collegamenti elettrici dei motori sotto tensione. I condensatori del servoamplificatore possono presentare cariche residue pericolose fino a 10 minuti dopo l'interruzione della tensione di rete.

I collegamenti di comando e di potenza possono condurre tensione anche a motore fermo.

Misurare la tensione nel circuito intermedio e attendere fino a quando il valore è sceso al di sotto dei 60V.



ATTENZIONE

La temperatura superficiale del motore può varcare i 100°C durante il funzionamento. Pericolo di ustioni lievi! Verificare (misurare) la temperatura del motore.

Prima di toccarlo attendere che abbia raggiunto i 40°C.



ATTENZIONE

Durante la messa in funzione non è possibile escludere un movimento imprevisto dell'azionamento.

Assicurarsi che qualsiasi movimento accidentale dell'azionamento non possa causare pericolo per persone o cose.

Le misure necessarie in questo caso per un'applicazione specifica possono essere desunte dall'analisi dei rischi dell'applicazione.

3.7.2 Guida ad messa in funzione

A titolo di esempio descriviamo la procedura da seguire per la messa in funzione. A seconda dell'impiego previsto può risultare opportuna o necessaria una procedura diversa.

- Controllare il montaggio e l'orientamento del motore.
- Verificare che gli elementi di azionamento (accoppiamento, trasmissione, puleggia) siano fissati nella relativa sede e che siano regolati correttamente (rispettare le forze radiali e assiali ammesse).
- Controllare il cablaggio e i collegamenti su motore e servoamplificatore. Assicurarsi che la messa a terra venga effettuata a regola d'arte.
- Controllare il funzionamento dell'eventuale freno di stazionamento. (Applicando 24V il freno deve essere rilasciato).
- Verificare se il rotore del motore può ruotare liberamente (rilasciare prima l'eventuale freno). Prestare attenzione ai rumori di sfregamento.
- Verificare che siano state adottate tutte le misure di protezione dal contatto necessarie per i componenti mobili e sotto tensione.
- Eseguire gli ulteriori controlli specifici e necessari per l'impianto in uso.
- Mettere in funzione l'azionamento in base alle istruzioni per la messa in funzione del servoamplificatore.
- In caso di sistemi multiasse mettere in funzione ogni unità di azionamento del servoamplificatore/motore singolarmente.

3.7.3 Eliminazione dei guasti

La seguente tabella è da intendersi come una "cassetta di pronto soccorso". A seconda delle condizioni dell'impianto in uso diverse possono essere le cause di un'anomalia. Si descrivono prevalentemente le cause dei guasti che riguardano direttamente il motore. Eventuali anomalie nel comportamento normale sono generalmente da ricondursi ad un'impostazione errata dei parametri del servoamplificatore. Consultare a questo proposito la documentazione del servoamplificatore e del software operativo.

Nei sistemi multiasse le ragioni possono essere a monte, e occulte.

Guasto	Cause possibili	Misure per l'eliminazione del guasto
Il motore non gira	<ul style="list-style-type: none"> — Servoamplificatore non abilitato — Cavo valori nominali interrotto — Fasi motore scambiate — Freno non rilasciato — Azionamento bloccato meccanicamente 	<ul style="list-style-type: none"> — Attivare il segnale ENABLE — Controllare il cavo valori nominali — Impostare le fasi del motore correttamente — Controllare il comando del freno — Controllare la meccanica
Motore fuorigiri	<ul style="list-style-type: none"> — Fasi motore scambiate 	<ul style="list-style-type: none"> — Impostare le fasi del motore correttamente
Il motore oscilla	<ul style="list-style-type: none"> — Schermatura cavo resolver interrotta — Amplificazione eccessiva 	<ul style="list-style-type: none"> — Sostituire il cavo resolver — Utilizzare i valori predefiniti del motore
Messaggio d'errore freno	<ul style="list-style-type: none"> — Cortocircuito nella linea di alimentazione della tensione del freno di arresto motore — Freno di stazionamento difettoso 	<ul style="list-style-type: none"> — Eliminare il cortocircuito — Sostituire il motore
Messaggio d'errore stadio finale	<ul style="list-style-type: none"> — Il cavo motore è in cortocircuito o ha una dispersione a terra — Il motore è in cortocircuito o ha una dispersione a terra 	<ul style="list-style-type: none"> — Sostituire il cavo — Sostituire il motore
Messaggio d'errore resolver	<ul style="list-style-type: none"> — Connettore resolver non inserito correttamente — Cavo resolver interrotto, schiacciato o simili 	<ul style="list-style-type: none"> — Controllare il connettore — Controllare i cavi
Messaggio d'errore temperatura motore	<ul style="list-style-type: none"> — Interruttore termico del motore intervenuto — Connettore resolver allentato o cavo resolver interrotto 	<ul style="list-style-type: none"> — Attendere fino a quando il motore si è raffreddato. Successivamente verificare la causa del surriscaldamento. — Controllare il connettore ed eventualmente inserire un nuovo cavo resolver
Il freno non fa presa	<ul style="list-style-type: none"> — Coppia di arresto richiesta eccessiva — Freno difettoso — Sollecitazione assiale albero motore 	<ul style="list-style-type: none"> — Controllare la disposizione — Sostituire il motore — Controllare la sollecitazione assiale e ridurla. Sostituire il motore in quanto i cuscinetti sono danneggiati.

3.8 Definizioni dei dati tecnici

INFORMAZIONI

Per i dati tecnici di tipo di motore consultare il capitolo "Technical Data" da (→ # 167).

Tutti i dati con la temperatura ambientale 40°C e la temperatura della bobina 100K aumentano. Determinazione delle date nominali con temperatura di flangia dell'adattatore costantemente 65°C. I dati possono avere una tolleranza di +/10%.

Coppia continuativa allo stallo M_0 [Nm]

La coppia continuativa allo stallo viene erogata ad un numero di giri $0 < n < 100$ giri/min ed alle condizioni nominali per un periodo illimitato.

Coppia nominale M_n [Nm]

La coppia nominale viene erogata quando il motore assorbe la corrente nominale al numero di giri nominale. La coppia nominale può essere erogata durante il funzionamento continuo (S1) al numero di giri nominale per un periodo illimitato.

Corrente continuativa allo stallo I_{0rms} [A]

La corrente continuativa ad un numero di giri $0 < n < 100$ giri/min è la corrente sinodale effettiva che il motore assorbe a riposo per poter erogare la coppia continuativa allo stallo.

Corrente di picco (corrente d'impulso) I_{0max} [A]

La corrente di picco (valore effettivo sinodale) è varie volte la corrente continuativa allo stallo secondo il motore. La corrente di picco del servoamplificatore utilizzato deve essere inferiore.

Costante di coppia K_{Trms} [Nm/A]

La costante di coppia indica in Nm la coppia generata dal motore con una corrente sinodale effettiva di 1A. Vale $M = I \times K_T$ (fino a max. $I = 2 \times I_0$)

Costante di tensione K_{Erms} [mV/min⁻¹]

La costante di tensione indica la forza elettromotrice indotta riferita al motore a 1000 giri/min. come valore effettivo sinodale tra due morsetti. Misurata a 25 ° C.

Momento di inerzia del rotore J [kgcm²]

La costante J è una misura della capacità di accelerazione del motore. Con I_0 si ottiene ad esempio il tempo di accelerazione t_b da 0 a 3000 giri/min.:

$$t_b \left[s \right] = \frac{3000 \cdot 2\pi}{M_0 \cdot 60s} \cdot \frac{m^2}{10^4 \cdot cm^2} \cdot J \quad \text{con } M_0 \text{ in Nm e } J \text{ in kgcm}^2$$

Costante di tempo termica t_{th} [min]

La costante t_{th} indica il tempo di riscaldamento del motore freddo con un carico di I_0 fino al raggiungimento di una sovratemperatura di $0,63 \times 100$ Kelvin. In caso di sollecitazione con corrente di picco, il riscaldamento ha luogo in un tempo notevolmente più breve.

Ritardo al rilascio t_{BRH} [ms]/ritardo all'inserzione t_{BRL} [ms] del freno

Le costanti indicano i tempi di reazione del freno di stazionamento applicando la tensione nominale al servoamplificatore.

U_N

Tensione di rete.

U_n

Tensione di circuito intermedio. $U_n = \sqrt{2} \cdot U_N$

-/-

4 Español

4.1 Generalidades	84
4.1.1 Sobre este manual	84
4.1.2 Abreviaturas utilizadas	84
4.1.3 Símbolos utilizados	84
4.2 Seguridad	85
4.2.1 Siga sus instrucciones!	85
4.2.2 Utilización conforme	87
4.2.3 Uso indebido	87
4.2.4 Manipulación	88
4.3 Identificación del producto	90
4.3.1 Volumen de suministro	90
4.3.2 Placa de identificación	90
4.3.3 Codificación de modelo	91
4.4 Descripción técnica	95
4.4.1 Datos técnicos generales	95
4.4.2 Forma de diseño	95
4.4.3 Brida	95
4.4.4 Tipo de protección	95
4.4.5 Clase de material aislante	96
4.4.6 Superficie	96
4.4.7 Extremo del eje, lado de accionamiento	96
4.4.8 Retén radial	96
4.4.9 Dispositivo protector	97
4.4.10 Calidad vibracional	97
4.4.11 Técnica de conexión	98
4.4.12 Freno de detención	99
4.4.13 Ventilador para AKM7	99
4.4.14 Washdown y Washdown Food	100
4.5 Instalación mecánica	103
4.5.1 Instrucciones importantes	103
4.6 Instalación eléctrica	104
4.6.1 Instrucciones importantes	104
4.6.2 Guía de instalación eléctrica	105
4.6.3 Conexión de los motores con cables confeccionadas	105
4.7 Puesta en funcionamiento	106
4.7.1 Instrucciones importantes	106
4.7.2 Guía de puesta en funcionamiento	107
4.7.3 Eliminación de perturbaciones	108
4.8 Definiciones de los términos de Datos Técnicos	109

4.1 Generalidades

4.1.1 Sobre este manual

El presente manual describe los servomotores síncronos de la Serie AKM (modelo estándar).

Los motores son utilizados en el sistema de accionamiento junto con los servoamplificadores. Por este motivo, tenga presente la totalidad de la documentación del sistema, compuesta por:

- Instrucciones de instalación del servoamplificador
- Manual de comunicación de bus (p. ej., CANopen o EtherCAT)
- Manual del usuario de software de operadores del servoamplificador
- Manual de accesorios regional
- Descripción técnica de la serie de motores AKM


Más información de fondo se puede encontrar en nuestro “Producto WIKI”, disponible en www.wiki-kollmorgen.eu.

4.1.2 Abreviaturas utilizadas

INFORMACIÓN

Abreviaturas utilizadas para los datos técnicos, véase capítulo (→ # 109).
En este documento, el simbolismo (→ # 53) significa: ver página 53.

4.1.3 Símbolos utilizados

Symbol	Indication
 PELIGRO	Indica una situación de peligro que, si no se evita, puede ocasionar lesiones graves o la muerte.
 ADVERTENCIA	Indica una situación de peligro que, si no se evita, podría ocasionar lesiones graves o la muerte.
 ATENCIÓN	Indica una situación de peligro que, si no se evita, podría ocasionar lesiones leves a moderadas.
 AVISO	Indica una situación que, si no se evita, podría ocasionar daños a la propiedad.
 INFORMACIÓN	Este no es un símbolo de seguridad. Este símbolo indica notas importantes.
	Advertencia de peligro (general). En el texto de aviso que aparece al lado se especifica el tipo de peligro.
	Advertencia de peligro por electricidad y sus efectos.
	Peligro por superficie caliente.
	Advertencia de las cargas suspendidas.

4.2 Seguridad

Este capítulo le ayudará a identificar y evitar los riesgos a los que están expuestas las personas y los objetos.

4.2.1 Siga sus instrucciones!

¡Se requiere personal cualificado!

Las operaciones de transporte, instalación, puesta en funcionamiento y mantenimiento sólo podrán ser realizadas por personal cualificado. Por personal cualificado se entiende las personas que están familiarizadas con el transporte, la instalación, el montaje, la puesta en funcionamiento y el manejo del producto y que disponen de las correspondientes calificaciones profesionales.

- Transporte: sólo a cargo de personal con conocimientos de manejo de elementos de montaje con riesgo electrostático
- Instalación mecánica: sólo a cargo de personal especializado con formación en ingeniería mecánica
- Instalación eléctrica: sólo a cargo de personal especializado con formación en electrotecnia
- Puesta en funcionamiento: sólo a cargo de personal especializado con amplios conocimientos sobre electrotecnia y la técnica de accionamientos

El personal especializado deberá conocer y observar IEC 60364 / IEC 60664 y normativa nacional de prevención de accidentes.

¡Lea la documentación!

Antes del montaje y de la puesta en funcionamiento, lea detenidamente la presente documentación. La manipulación incorrecta del motor puede provocar daños personales o materiales. Por este motivo, el operador debe asegurarse de que todas las personas que vayan a realizar trabajos en el motor hayan leído y comprendido el manual, y de que se cumplan las instrucciones de seguridad que contiene.

¡Preste atención a los datos técnicos!

Conserve los datos técnicos y las indicaciones referentes a las condiciones de conexión (placa de identificación y documentación). Si se superan los valores de tensión o de corriente permitidos, los motores, p. ej., pueden resultar dañados por sobrecalentamiento.

¡Realice una valoración de los riesgos!

El fabricante de la máquina elaborará un análisis de riesgo de la máquina y adoptará las medidas adecuadas para que movimientos imprevistos no puedan causar daños personales ni materiales. Es posible que de la valoración de los riesgos se deriven requisitos adicionales para el personal cualificado.

¡Llevar a cabo un transporte seguro!

Para elevar y desplazar motores con un peso superior a 20 kg (AKM7 y AKM8), utilice siempre dispositivos elevadores. Si se elevan estas piezas sin la ayuda de herramientas, pueden producirse lesiones en la espalda. Siga las indicaciones de la página (→ # 88)

¡Asegure la chaveta!

Si hay alguna chaveta de eje, retírela o asegúrela cuando el motor vaya a funcionar sin carga para que no salga despedida y evitar los consiguientes riesgos de lesión. En la entrega, el estado, se asegura la pluma con una tapa de plástico.



¡Superficie caliente!

Durante el funcionamiento, los motores pueden tener superficies calientes según la clase de protección. Riesgo de quemaduras! La temperatura de las superficies puede alcanzar 100°C. Mida la temperatura y, antes de tocar el motor, espere hasta que se haya enfriado a 40°C.



¡Toma de tierra, altas tensiones!

Asegúrese de la adecuada puesta a tierra del bloque del motor con la barra colectora del armario de distribución como potencial de referencia. Sin una toma de tierra de baja impedancia no se puede garantizar la seguridad personal y existe peligro de muerte por descarga eléctrica.

No abra el bastidor de distribución mientras estén funcionando los aparatos. La ausencia de indicaciones visuales no supone ninguna garantía de que no haya tensión. Las conexiones de potencia pueden estar activas aunque el motor no esté girando.

No extraiga ningún enchufe con el equipo en marcha. Existe el peligro de muerte o lesiones graves al tocar los contactos expuestos. Las conexiones pueden llevar tensión, incluso con el motor parado. En circunstancias desfavorables se pueden producir chispazos que dañen a las personas y a los contactos.

Al desconectar el servoamplificador de la corriente de alimentación, espere varios minutos antes de soltar piezas conductoras de corriente (por ejemplo, contactos, pernos, etc.). Los condensadores en el servoamplificador conducen tensiones peligrosas hasta unos varios minutos después de cortar la alimentación de corriente. Para mayor seguridad, mida la corriente en el circuito intermedio y espere a que la corriente se sitúe por debajo de 60V.



¡Asegurar las cargas suspendidas!

I freni di stazionamento integrati non garantiscono la sicurezza funzionale! In presenza di carichi sospesi (assi verticali) è necessario utilizzare un freno meccanico esterno aggiuntivo per garantire la sicurezza del personale.

4.2.2 Utilización conforme

- Los servomotores sincrónicos de la Serie AKM están diseñados especialmente para el accionamiento de equipos de manipulación, maquinaria textil, máquinas-herramientas, maquinaria de embalaje y similares con elevados requerimientos dinámicos.
- Están solamente autorizados a operar en motores cumpliendo las condiciones del entorno definidas en la presente documentación.
- Los motores de **Washdown** se pueden poner en funcionamiento en entornos con lejías y ácidos corrosivos siempre que se respeten las condiciones definidas en página (→ # 100).
- Se permite el uso de motores de **Washdown Food** en contacto directo con alimentos.
- Los motores de la Serie AKM está **exclusivamente** destinados a ser activados mediante servoamplificadores digitales regulados por velocidad y/o por par motor.
- Los motores se montan como componentes de instalaciones eléctricas o maquinaria y solamente pueden ser puestos en servicio como componentes integrados.
- El sensor de protección térmica integrado en las bobinas del motor debe evaluarse y supervisarse.
- Los frenos están diseñados como frenos de parada y no son adecuados para operaciones de frenado permanentes durante el servicio.
- Garantizamos la conformidad del servosistema con los términos de la EC Declaration of Conformity (→ # 207), solamente cuando se utilicen los componentes entregados por nosotros (servoamplificador, motor, cables, etc.).

4.2.3 Uso indebido

- No se permite el uso de motores **estándar**
 - directamente en la red,
 - en áreas con peligro de explosión,
 - en contacto con alimentos,
 - en entornos con partículas en suspensión, vapores, aceites, lejías o ácidos conductores de la electricidad y/o corrosivos.
- No se permite el uso de motores de **Washdown**
 - directamente en la red,
 - en áreas con peligro de explosión,
 - en contacto con alimentos,
 - en entornos con ácidos o lejías con un valor de pH inferior a 2 o superior a 12,
 - en entornos con ácidos o lejías que no hayan sido probados por Kollmorgen.
- No se permite el uso de motores de **Washdown Food**
 - directamente en la red,
 - en áreas con peligro de explosión,
 - en contacto directo con alimentos..
- Está prohibido utilizar el motor si la máquina en la que está instalado:
 - no cumple las disposiciones de la directiva comunitaria sobre máquinas;
 - no cumple las disposiciones de la directiva sobre compatibilidad electromagnética;
 - no cumple las disposiciones de la directiva sobre equipos de baja tensión.
- A fin de garantizar la seguridad funcional, no se deben utilizar frenos de detención integrados sin un equipo adicional.

4.2.4 Manipulación

4.2.4.1 Transporte

- Clase de clima: 2K3 según EN61800-2, IEC 60721-3-2
- Temperatura: -25...+70° C, oscilación máx. 20K / hora
- Humedad del aire: humedad relativa máx. 5%... 95% sin condensar
- Sólo a cargo de personal especializado en el envase original reciclable del fabricante
- Evite impactos fuertes, particularmente sobre el extremo del eje
- En caso de que el embalaje esté dañado, compruebe que el aparato no tiene daños visibles. Informe de ello al transportista y, en caso necesario, al fabricante.

Transporte de motores por encima de los 20 kg de peso

Utilice las argollas de elevación suministradas para el transporte seguro de los motores AKM7 y AKM8 (>20kg). Respete las instrucciones relativas al transporte incluidas en el embalaje del motor.

Recomendamos la herramienta ZPZM 120/292 del transporte para mover los motores..

La unidad ZPMZ 120/292 de la suspensión consiste en una viga, suspendida al gancho de la grúa y dos doble-funcionan las ligas de cadena.

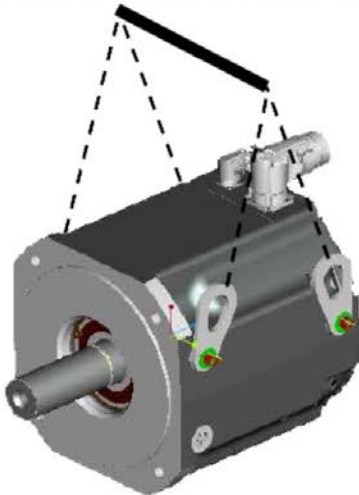


PELIGRO

¡Suspendido carga. ¡Peligro de muerte, cuando el último bloqueo. La zona bajo la carga debe estar despejada durante la elevación!

- Los tornillos de fijación de las argollas de elevación han de estar completamente enroscados.
- Las argollas de elevación deben asentarse totalmente planas en la superficie de apoyo.
- Antes de utilizarlas, comprobar si las argollas de elevación están firmemente asentadas y si presentan daños visibles (corrosión, deformación).
- Las argollas de elevación deformadas no deben utilizarse.

B1/ 4 x LIFTING BOLT PLUS LIFTING BEAM



B2/ 2 x LIFTING BOLT PLUS LIFTING BEAM



B3/ 2 x LIFTING BOLT PLUS LIFTING BEAM



4.2.4.2 Embalaje

- Caja de cartón amortiguador de la espuma de Instapak®.
- Usted puede volver la porción plástica al surtidor (véase la "Eliminación").

Modelo	Embalaje	Altura máx. de estiba	Modelo	Embalaje	Altura máx. de estiba
AKM1	Caja de cartón	10	AKM5	Caja de cartón	5
AKM2	Caja de cartón	10	AKM6	Caja de cartón	1
AKM3	Caja de cartón	6	AKM7	Caja de cartón	1
AKM4	Caja de cartón	6	AKM8	Paleta	1

4.2.4.3 Almacenamiento

- Clase de clima: 1K4 según EN61800-2, IEC 60721-3-2
- Temperatura: -25...+55°C, oscilación máx. 20K/hora
- Humedad del aire: humedad rel. máx. 5% ... 95% sin condensar
- Sólo en el embalaje original reciclable del fabricante
- Altura máx. de apilamiento véase la tabla en la sección "Embalaje"
- Tiempo de almacenamientosin limitación

4.2.4.4 Advertencia / Limpieza

- Advertencia / limpieza sólo por personal profesional
- Después de 20.000 horas de servicio en condiciones nominales, se deberían cambiar los cojinetes.
- Compruebe el motor cada 2500 horas de servicio, o bien, una vez al año para ruidos en los cojinetes. Si escucha ruidos en los cojinetes, detenga inmediatamente el motor y cambie los cojinetes
- La apertura de los motores trae consigo la pérdida de la garantía
- Límpiese con isopropanol o producto similar no sumergir ni pulverizar

4.2.4.5 Reparación

Sólo el fabricante debe ejecutar reparaciones en el motor; la apertura de los aparatos invalida la garantía. Ponga el aparato fuera de servicio y envíelo al fabricante:

KOLLMORGEN Europe GmbH
Pempelfurtstr. 1
D-40880 Ratingen

4.2.4.6 Eliminación

De conformidad con la directiva 2002/96/CE (RAEE), nos encargamos de eliminar de manera adecuada los aparatos y accesorios viejos si el remitente se hace cargo de los gastos de transporte. Envíe los aparatos a

KOLLMORGEN Europe GmbH
Pempelfurtstr. 1
D-40880 Ratingen

4.3 Identificación del producto

4.3.1 Volumen de suministro

- Motor de la Serie AKM
- Manual del producto (lengua multi), una por entrega

4.3.2 Placa de identificación

En los motores normales la placa de identificación se adhiere de forma permanente al lateral de la carcasa. En los motores lavables la placa de identificación se graba en el lateral de la carcasa. Con cada unidad de embalaje se incluye una placa de identificación adicional.

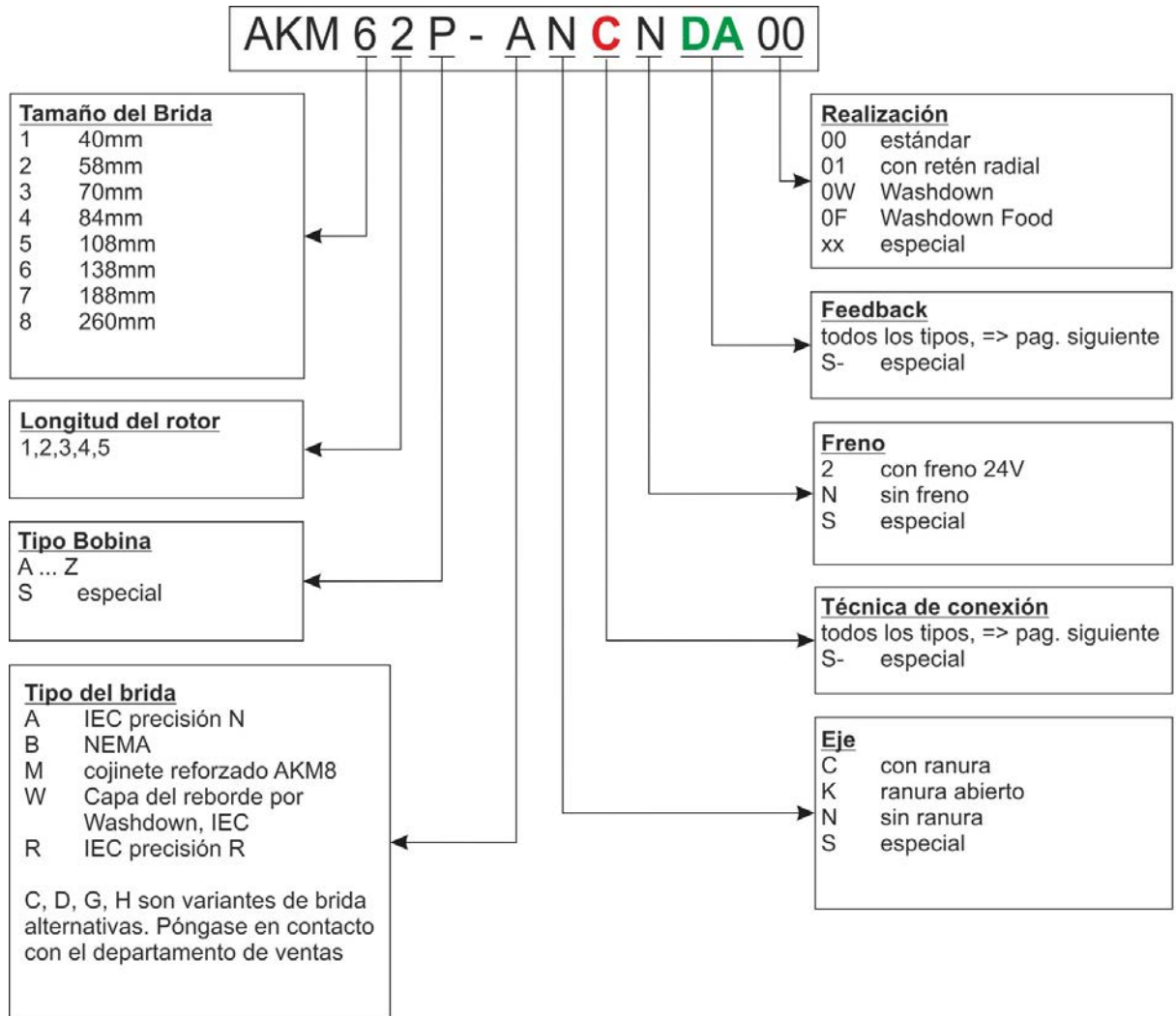


Leyenda:

MODEL	Modelo
CUST P/N	Número de pieza del client
Ics	I0rms (Corriente de parada)
Tcs	M0 (Par motor de parada)
Vs	Un (Tensión del circuito intermedio)
Nrtd	nn (Velocidad nominal @ Un)
Prtd	Pn (Potencia nominal)
Rm	R25 (Resistencia de la bobina @ 25°)
SERIAL	Número de serie
AMBIENT	Temperatura ambiental máx.

El año de fabricación se cifra en el número de serie: los primeros dos dígitos del número de serie son el año de fabricación, e.g. "14" significa 2014.

4.3.3 Codificación de modelo



4.3.3.1 Opciones de conexión (C)

Encontrará las asignaciones de enchufes de las opciones en (→ # 200) y siguientes.

Descripción técnica de utilizado conectores ver Product Wiki ([Mating Connectors](#)).

Descripción de Conexiones

Enchufes	Utilización *	N° de polos Potencia/Señal	Corriente máx. [A] Potencia/Señal	Sección máx. [mm ²] Potencia/Señal	Tipo de protección	Conector de acoplamiento sugerido
M23 SpeedTec Ready (talla 1)	Potencia & Freno	4 / 4	30 / 10	4 / 1.5	IP65	BSTA-108-NN-00-08-0036
	Feedback	- / 12	- / 10	- / 0.5	IP65	ASTA-021-NN-00-10-0035
	Feedback	- / 17	- / 9	- / 0.5	IP65	ASTA-035-NN-00-10-0035
	Híbrido*	4 / 4	30 / 10	4 / 1.5	IP65	BSTA-108-NN-00-08-0036
M40 (talla 1.5)	Potencia & Freno	4 / 2	75 / 30	16 / 4	IP65	CSTA-263-NN-00-26-0001
M12	DRIVE-CLiQ	- / 8	- / 2	- / 0,5	IP65	Estándar Siemens Drive-ClIQ por cable
M23-6	DRIVE-CLiQ	6 / -	30 / -	4 / -	IP65	
i-tec	Híbrido*	4 / 5	14 / 3.6	1.5 / 0.75	IP65	ESTB-202-NN-00-1110-0500
y-tec	Potencia & Freno	4 / 5	14 / 3.6	1.5 / 0.75	IP65	ESTB-202-NN-00-31-0500
	Feedback	- / 12	- / 5	- / 0.75	IP65	ESTB-002-NN-00-31-0001
	Feedback	- / 15	- / 5	- / 0.75	IP65	ESTB-205-NN-00-31-0002
Caja de bornes	Potencia & Freno	4 / 2	150 / 15	25 / 2.5	IP65	-

* Hybrid significa: potencia y feedback (freno) sobre el mismo conector y un cable.

Referencia Conexión-Motor

PTC*	KTY 84-130*	KTY 83-110*	Conexión	Se puede utilizar con	Posición de conexión
B	1	3	2 enchufes SpeedTec Ready	AKM2	Acodado, girable, en el motor
C	7	-	2 enchufes SpeedTec Ready	AKM1-AKM2	En cable de 0,5 m
C	1	3	2 enchufes SpeedTec Ready	AKM3-AKM7 (≤23, 5A)	Acodado, girable, en el motor
D**	-	D**	1 enchufe i-tec híbrido	AKM1	En el motor
D**	-	D**	1 enchufe híbrido SpeedTec Ready	AKM2-AKM6	Acodado, girable, en el motor
G	-	-	2 enchufes SpeedTec Ready	AKM2-AKM6	Rectos, en el motor
H	1	3	1 enchufe potencia M40, 1 enchufe Feedback SpeedTec Ready	AKM7 & AKM82T	Acodado, girable, en el motor
-	R**	-	1 enchufe potencia M23-6, 1 enchufe Feedback M12	AKM4-AKM7 (≤23, 5A)	En el motor. M23-6 acodado, girable M12 rectos.
T	2	4	1 caja de bornes, 1 enchufe Feedback SpeedTec Ready	AKM8	En el motor
-	U**	-	1 enchufe potencia M23-6, 1 enchufe Feedback M12	AKM4-AKM7 (≤23, 5A)	Rectos, en el motor
Y	1	3	1 enchufe y-tec	AKM1	En el motor

* Sensor de temperatura PTC o KTY (→ # 97)

** Con la opción de conector D, R y U el tipo de sensor de temperatura depende de la Feedback, véase (→ # 94).

4.3.3.2 Opciones de feedback (DA)

La longitud del motor depende de la unidad de feedback incorporada; consulte los planos acotados (→ # 186). No es posible realizar montajes posteriores. Encontrará las asignaciones de enchufes (→ # 200).

Descripción técnica de las sistemas Feedback ver Product Wiki ([MultiFeedback](#)).

Descripción de Feedback

Código	Descripción	Tipo	Comentario	Lignes par tour	Número de rotaciones	Sólo es utilizable con
1-	Comcoder	EPC 15T	Monovuelta, óptico	1024	1	Todos
2-	Comcoder	EPC 15T	Monovuelta, óptico	2048	1	Todos
AA	BiSS B Encoder	AD34/AD58	Monovuelta, óptico	2048	1	Todos
AB	BiSS B Encoder	AD34/AD58	Multivuelta, óptico	2048	4096	Todos
C-	SFD, 4 hilos	Size 10/15/21	Monovuelta, inductivo	11bit	1	AKD
CA	SFD3, 2 hilos	Size 10/15/21	Monovuelta, inductivo	11bit	1	AKD,S700
DA	EnDAT 2.1 Encoder	ECN1113/1313	Monovuelta, óptico	512/2048*	1	Todos
DB	EnDAT 2.1 Encoder	EQN1125/1325	Multivuelta, óptico	512/2048*	4096	Todos
LA	EnDAT 2.1 Encoder	ECI1118/1319	Monovuelta, inductivo	16/32**	1	Todos
LB	EnDAT 2.1 Encoder	EQI1130/1331	Multivuelta, inductivo	16/32**	4096	Todos
MA	DRIVE-CLiQ Encoder	ECN1324S	Safety, Monovuelta, óptico	24bit	1	Siemens
MB	DRIVE-CLiQ Encoder	EQN1336S	Safety, Multivuelta, óptico	24bit	4096	Siemens
GA	HIPERFACE Encoder	SKS36	Monovuelta, óptico	128	1	Sx
GB	HIPERFACE Encoder	SKM36	Multivuelta, óptico	128	4096	Sx
GC	HIPERFACE Encoder	SEK34	Monovuelta, capacitivo	16	1	Sx
GD	HIPERFACE Encoder	SEL34	Multivuelta, capacitivo	16	4096	Sx
GE	HIPERFACE DSL Encoder	EKS36	Monovuelta, óptico	18bit	1	AKD,S700
GF	HIPERFACE DSL Encoder	EKM36	Multivuelta, óptico	18bit + 12bit	4096	AKD,S700
GJ	HIPERFACE Encoder	SKS36	Monovuelta, óptico	128	1	AKD
GK	HIPERFACE Encoder	SKM36	Multivuelta, óptico	128	4096	AKD
GM	Safe HIPERFACE Encoder	SKS36S	Safety, al igual que GJ , SIL2, PLd, Cat.3	128***	1	AKD
GN	Safe HIPERFACE Encoder	SKM36S	Safety, al igual que GK , SIL2, PLd, Cat.3	128***	4096	AKD
GC	HIPERFACE Encoder	SEK34	Monovuelta, capacitivo	16	1	AKD
GD	HIPERFACE Encoder	SEL34	Multivuelta, capacitivo	16	4096	AKD
R-	Resolver	Size 10/15/21	Monovuelta, inductivo	2 polos	1	Todos

* x/y los datos para AKM2-4/AKM5-8

** x/y los datos para AKM2-3/AKM4-8

*** Certificados para evaluaciones de seguridad: ver Product-WIKI ([Approvals](#)) o Kollmorgen website.

Referencia Feedback-Motor

Código (PTC/KTY83-110)	B/1	C/1	C/7 (cable)	D/D	G/-	H/1	-/R	T/2	-/U	Y/1	
Código	Feedback	Se puede utilizar con AKM...									
1-	Comcoder	2	3-7	1-2	-	2-6	7,82T	-	8	-	1
2-	Comcoder	2	3-7	1-2	-	2-6	7,82T	-	8	-	1
AA	BiSS B	2	3-7	2	-	2-6	7,82T	-	8	-	-
AB	BiSS B	2	3-7	2	-	2-6	7,82T	-	8	-	-
C-	SFD*	2	3-7	1-2	1-6 (PTC)	2-6	7,82T	-	8	-	1
CA	SFD3	-	-	-	1-6 (KTY)	-	-	-	-	-	-
DA	EnDAT 2.1	2	3-7	2	-	2-6	7,82T	-	8	-	-
DB	EnDAT 2.1	2	3-7	2	-	2-6	7,82T	-	8	-	-
LA	EnDAT 2.1	2	3-7	2	-	2-6	7,82T	-	8	-	-
LB	EnDAT 2.1	2	3-7	2	-	2-6	7,82T	-	8	-	-
MA	DRIVE-CLiQ**	-	-	-	-	-	-	4-7	-	4-7	-
MB	DRIVE-CLiQ**	-	-	-	-	-	-	4-7	-	4-7	-
GA	Hiperface	2	3-7	2	-	2-6	7,82T	-	8	-	-
GB	Hiperface	2	3-7	2	-	2-6	7,82T	-	8	-	-
GC	Hiperface	-	-	1	-	-	-	-	-	-	1
GD	Hiperface	-	-	1	-	-	-	-	-	-	1
GE	Hiperface DSL	-	-	-	2-6 (KTY)	-	-	-	-	-	-
GF	Hiperface DSL	-	-	-	2-6 (KTY)	-	-	-	-	-	-
GJ	Hiperface	2	3-7	2	-	2-6	7,82T	-	8	-	-
GK	Hiperface	2	3-7	2	-	2-6	7,82T	-	8	-	-
GM	Safe Hiperface***	2	3-7	2	-	2-6	7,82T	-	8	-	-
GN	Safe Hiperface***	2	3-7	2	-	2-6	7,82T	-	8	-	-
GC	Hiperface	-	-	1	-	-	-	-	-	-	1
GD	Hiperface	-	-	1	-	-	-	-	-	-	1
R-	Resolver	2	3-7	1-2	-	2-6	7,82T	-	8	-	1

* sin freno

** Sensor de temperatura de acuerdo a los requisitos actuales de Siemens. Para obtener más información póngase en contacto con Kollmorgen

*** Sólo con sensor de temperatura PTC

4.4 Descripción técnica

4.4.1 Datos técnicos generales

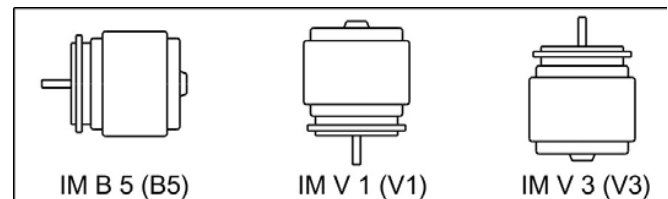
Temperatura ambiente (con datos nominales)	5...+40°C con altura de emplaz. hasta 1000m sobre nivel del mar Con temperaturas ambiente superiores a 40°C y con montaje encapsulado de los motores, tome contacto siempre con nuestro Departamento de Aplicaciones.
Humedad autorizada (con datos nominales)	95% humedad relativa, sin formación de rocío
Reducción de potencia (currents and torques)	1%/K en el rango 40°C...50°C hasta 1000 m sobre el nivel del mar (Corrientes y momentos) con alturas de emplazamiento superiores a 1000 m sobre el nivel del mar y 40°C 6% a 2000m sobre el nivel del mar 17% a 3000m sobre el nivel del mar 30% a 4000m sobre el nivel del mar 55% a 5000m sobre el nivel del mar Sin reducción de potencia a alturas de emplazamiento superiores a 1000 m sobre el nivel del mar y reducción de temperatura en 10k/1000m
Vida útil de cojinetes	≥ 20.000 horas de servicio

INFORMACIÓN

A partir de la página del capítulo "Technical Data" encontrará los datos técnicos correspondientes a cada tipo de motor (→ # 167).

4.4.2 Forma de diseño

La forma básica de diseño de los servomotores AKM es la forma IM B5 según EN 60034-7.



4.4.3 Brida

Brida según Norma IEC: precisión según DIN 42955. Tolerancias de la prolongación de la extensión del eje y de las bridas de montaje para las máquinas eléctricas giratorias.

Code	Brida
A	IEC con precisión N, ajuste AKM1: h7, ajuste AKM2-8: j6
R	IEC con precisión R, ajuste AKM1: h7, ajuste AKM2-8: j6
M	IEC con precisión N, ajuste j6, cojinete reforzado, solo AKM8
W	IEC, ajuste j6, capó del reborde por motore Washdown o Washdown Food
B	NEMA, Las dimensiones se pueden encontrar en el <i>AKM Selection Guide</i> (Kollmorgen Website, US-English)

4.4.4 Tipo de protección

Modelo estándar	Connectador	Retén radial	Tipo de protección
AKM1	C, D	sin	IP40
AKM1	C, D	con	IP65
AKM2-AKM8	B, C, D, G, H, T	sin	IP54
AKM8	H, T	sin	IP52
AKM2-AKM8	B, C, D, G, H, T	con	IP65

Modelo estándar	Connectador	Retén radial	Tipo de protección
AKM2-AKM6 Washdown	B, C, D, G	con	IP67
AKM2-AKM6 Washdown Food	B, C, D, G	con	IP67

4.4.5 Clase de material aislante

Los motores cumplen con la clase F de materiales aislantes según IEC 60085 (UL 1446 class F).

4.4.6 Superficie

Los motores están cubiertos con la capa del polvo del poliéster en negro mate, no siendo resistente a disolventes (Tri, diluyentes, etc.).

4.4.7 Extremo del eje, lado de accionamiento

La transmisión de fuerza resulta a través del extremo cilíndrico A, ajuste k6 (AKM1: h7) según EN 50347 con rosca de apriete pero sin ranura del muelle de ajuste. Los motores también están disponibles con chavetero y la llave insertada de acuerdo con la norma DIN6885. El eje con chaveta se equilibra con la clave a corto (la mitad).

Para la vida útil de los cojinetes se ha partido de 20.000 horas de servicio.

Codificación	Eje	disponible para
N	sin ranura	todos los tipos, estandar
C	ranura cerrado	AKM 2...8
K	ranura abierto	AKM 1...8

Fuerza radial

Si los motores propulsan a través de piñones o correas dentadas, se presentan elevadas fuerzas radiales. Los valores autorizados en el extremo del eje, en función de velocidad, se indican en los diagramas en capítulo "Dimension Drawings" de (→ # 186). Los valores máximos permitidos figuran en los datos técnicos de (→ # 167). Con aplicación de fuerza en el centro del extremo libre del eje FR 10% puede ser mayor.

Fuerza axial

Cuando se montan piñones o poleas en el eje y se utilizan p. ej. engranajes angulares, se producen fuerzas axiales. Los valores máximos permitidos figuran en los datos técnicos.

Acoplamiento

Como elementos ideales de acoplamiento sin juego han dado muy buen resultado las tenazas tensoras, también en unión con acoplamientos de fuelle metálico.

4.4.8 Retén radial

Si el AKM en un reborde de la máquina con rango de frecuencia desprotegido es acoplarse, el anillo (opción 01) hermetizadores aseguran el sellado.

- El sello del eje de teflón asegura la protección IP67 en el campo del eje del motor.
- La calificación del motor se puede lograr después de unas horas (run-in) durante el funcionamiento normal. No es necesario un procedimiento run-in en el especial.
- Se puede formar Teflon abrasión. Esto no afecta a la función.
- No se permite el funcionamiento de la junta del eje para el funcionamiento en seco. Cuando se requiere el funcionamiento en seco, pregunte en Kollmorgen por una solución especial.
- Sello del eje está pre-lubricado con grasa FDA.

4.4.9 Dispositivo protector

El modelo estándar del motor va equipado con un PTC sin potencial. El punto de conexión se encuentra a $155^{\circ}\text{C} \pm 5\%$. El PTC no protege contra sobrecargas instantáneas muy altas.

También existe la opción de equipar el motor con un sensor KTY 83-110, KTY 84-130 (vea las opciones de conexión 1, 2, 7 y D en (→ # 92) (→ # 200)

Con sistema de realimentación digital SFD, SFD3, DSL (c, CA, GE, GF) el estado del sensor de temperatura es transmitido digitalmente y evaluado en la servoamplificador .

Utilizando nuestro conductor feedback preconfeccionado, el dispositivo de termoprotección está integrado en el sistema de control del servoamplificador digital.

4.4.10 Calidad vibracional

Los motores se fabrican con el factor A de calidad vibracional según DIN EN 60034-14. Esto implica que el nivel de vibraciones permitido como valor efectivo para un rango de velocidades de 600-3600 rpm y una altura del eje de entre 56-132 mm es de 1,6 mm/s.

Velocidad [rpm]	max. rel. Dislocación Vibratoria [μm]	max. Run-out [μm]
≤ 1800	90	23
> 1800	65	16

4.4.11 Técnica de conexión

4.4.11.1 Enchufes

Las descripciones de los conectores disponibles: (→ # 92). Pinout de los conectores: (→ # 200).

4.4.11.2 Secciones de cable

Cable de potencia, cable combinado

Los cables combinados incluyen, además de los 4 hilos de potencia, dos hilos de freno apantallados.

Cable	Sección Cable combinado	Intensidad de corriente máxima admisible	Remarks
(4x1)	(4x1+(2x0.75))	0A < I _{0rms} ≤ 10.1A	Los paréntesis (...) hacen referencia a los apantallamientos. Intensidad de corriente máxima admisible según EN60204-1:2006, Tabla 6, Columna B3.
(4x1.5)	(4x1.5+(2x0.75))	10.1A < I _{0rms} ≤ 13.1A	
(4x2.5)	(4x2.5+(2x1))	13.1A < I _{0rms} ≤ 17.4A	
(4x4)	(4x4+(2x1))	17.4A < I _{0rms} ≤ 23A	
(4x6)	(4x6+(2x1))	23A < I _{0rms} ≤ 30A	
(4x10)	(4x10+(2x1.5))	30A < I _{0rms} ≤ 40A	
(4x16)	(4x16+(2x1.5))	40A < I _{0rms} ≤ 54A	
(4x25)	(4x25+(2x1.5))	54A < I _{0rms} ≤ 70A	

Cable de Feedback

Tipo	Sección	Comentario
Resolver, SFD	(4x2x 0.25)	
Encoder	(7x2x 0.25)	BiSS, EnDAT, HIPERFACE
Comcoder	(8x2x 0.25)	Encoder incremental + Hall

Cable híbrido

Tipo	Sección	Comentario
SFD	(4x1.0+2x(2x0.75))	4 hilos de potencia & 4 hilos de señal para SFD o bien
SFD	(4x1.5+2x(2x0.75))	
SFD3/DSL	(4x1.0+(2x0.34)+(2x0.75))	4 hilos de potencia & 2 hilos de freno & 2 hilos de señal para SFD3/DSL
SFD3/DSL	(4x1.5+(2x0.34)+(2x0.75))	
SFD3/DSL	(4x2.5+(2x0.34)+(2x1.0))	
SFD3/DSL	(4x4+(2x0.34)+(2x1.0))	

Descripción técnica de cable híbrido ver Product Wiki ([Hybrid Cables](#)).

4.4.12 Freno de detención

Los motores se pueden suministrar opcionalmente con freno de detención incorporado. En freno magnético permanente (24 V CC) bloquea el rotor cuando está sin tensión.



ADVERTENCIA

¡Si en las cargas suspendidas (ejes verticales) está accionado el freno de detención del motor y, al mismo tiempo, el servoaccionamiento no aporta ninguna potencia, se puede caer la carga! Peligro de lesiones para el personal de servicio de la máquina. En el caso de las cargas suspendidas (ejes verticales), sólo se puede garantizar la seguridad funcional mediante el uso de un freno mecánico adicional externo.

AVISO

Los frenos están diseñados como frenos de parada y no son adecuados para operaciones de frenado permanentes durante el servicio. Si el freno se acciona muy frecuentemente durante el servicio, es probable que el freno de detención se desgaste prematuramente y falle.

La longitud del motor aumenta con el freno de parada montado.

Los frenos de detención pueden ser activados directamente por el servoamplificador de Kollmorgen (con riesgo para las personas) liberando a continuación el arrollamiento de freno en el servoamplificador, y no siendo necesaria una conexión adicional. Consulte a este respecto las instrucciones de servicio del servoamplificador. Cuando el freno de detención no es activado directamente por el servoamplificador se debe realizar una conexión adicional (p.ej., un varistor). Consulte a nuestro Departamento de Aplicaciones.

4.4.13 Ventilador para AKM7

Para el tamaño AKM7 hay disponible un juego de elementos de fijación para la ventilación independiente. El ventilador montado permite hasta un 30 % más de potencia útil de los motores AKM7. En el volumen de suministro del juego de elementos de fijación se incluyen unas instrucciones de montaje para el juego de montaje del ventilador.



La caja del ventilador se puede fijar con los ángulos de montaje suministrados o de forma adicional con los pernos distanciadores, si se han suministrado. La elección del método de fijación dependerá de la aplicación. Si se prevé que se produzcan fuertes vibraciones, se utilizarán por seguridad los ángulos y los pernos distanciadores. Los motores con frenos integrados requieren los pernos distanciadores largos.

AVISO

Asegúrese de que el aire pueda entrar sin impedimento por la rejilla de ventilación y deje un espacio libre de como mínimo 25 mm detrás de la rejilla.

Debido a la convección forzada, los motores se ensucian con más intensidad. Los sedimentos reducen la potencia de refrigeración y pueden dañar los motores. El polvo puede arder en caso de sobrecalentamiento. Limpie, por lo tanto, los conductos de aire, el ventilador y el motor regularmente. Debido al montaje del ventilador, se incrementan las medidas de montaje de los motores AKM7.

En el caso de motores AKM7 con opción de conector "C", tipo bobina "Q" y ventilación forzada que deben limitar la corriente del motor a 23,5 A para la protección del conector.

Encontrará los datos técnicos de los motores AKM7 con ventilador en (→ # 181). Encontrará los planos acotados de los motores AKM7 con ventilador en (→ # 195).

4.4.14.2 Washdown Food

AKM ^{AAA} - ^{AAAA} - ^A F	Washdown Food sin recubrimiento de brida
AKM ^{AAA} - ^W ^{AAAA} - ^A F	Washdown Food con recubrimiento de la brida A IEC

INFORMACIÓN

La superficie del motor de Washdown Food ha superado todas las pruebas en conformidad con FDA GlobalMigration en lo referente al contacto indirecto con alimentos. No se permite el contacto directo con alimentos no envasados.

Ámbitos de aplicación:	Industria alimentaria y de bebidas, sin contacto directo con alimentos no envasados.
Ejemplo:	Corte, envasado y llenado sin contacto directo con los alimentos, motor situado al lado o debajo de los alimentos
Normas:	UL, CE, RoHs, FDA
Superficie:	Revestimiento blanco
Resistencia:	Frente a detergentes probados (→ # 101), resistente a la corrosión
Global Migration:	US FDA Regulations 21 CFR 175.300, Condition of Use E
Tipo de protección:	IP67
Eje:	Acero inoxidable
Retén:	FDA, conformidad con FDA
Lubricante:	Apto para uso alimentario en conformidad con FDA
Enchufe:	Acero inoxidable, superficie lisa
Tornillos:	Acero inoxidable
Placa de identificación:	Grabada, con cada unidad de embalaje se incluye una placa de identificación adicional
Tamaño:	AKM2 - AKM6

4.4.14.3 Características probadas y confirmadas frente a productos de limpieza

En el laboratorio de pruebas ECOLAB Deutschland GmbH se probó la resistencia de las superficies de los Washdown y Washdown Food frente a los siguientes productos de limpieza industriales:

- P3-topactive DES
- P3-topactive LA
- P3-topax 56
- P3-topax 66
- P3-topax 91

Para ello se sumergieron las superficies en cada producto de limpieza durante 28 días a temperatura ambiente. Esto equivale aprox. a 2500 ciclos de limpieza, cada uno de los cuales con 15 minutos de contacto con el producto de limpieza, o bien a 1500 ciclos de limpieza con limpieza y posterior desinfección.

Los certificados se encuentran en nuestra WIKI de productos, en la página [Approvals](#).

AVISO

Kollmorgen solo puede garantizar la vida útil del motor si se utilizan los detergentes probados. Kollmorgen puede probar y, en su caso, autorizar otros detergentes que los citados previa solicitud.

4.4.14.4 Condiciones de montaje y aplicación

- Los motores deben utilizarse solamente con una temperatura ambiente máxima de 50°C.
- Si la brida delantera está recubierta, no se garantiza la clase de tolerancia N.

AVISO

En los motores con bridas sin revestimiento lavable, la superficie de las bridas se debe proteger de la acción de los productos de limpieza mediante una instalación adecuada.

AVISO

Durante la instalación y el funcionamiento proteger el motor de influencias mecánicas que pueden causar arañazos o grietas en las superficies pintadas. Un mal manejo aumenta riesgo de corrosión.

4.4.14.5 Plan de limpieza

Plan de limpieza recomendado (abreviado) con los productos de limpieza probados:

Enjuague con agua (40 °... 50 °C)

Enjuague con baja presión. De arriba a abajo en dirección al orificio de drenaje. Limpiar el orificio de drenaje.

Limpieza con espuma

Frotar de arriba a abajo.

Alcalinos:	P3-topactive LA or P3-topax 66 (2-5%, diariamente durante 15 min)
Ácidos:	P3-topax 56 (2%, si es necesario durante 15 min)
Temperatura:	de fría a 40 °C

Desinfección

Pulverizar con agua (40 ... 50 °C) con baja presión. De arriba a abajo.

Desinfección por aspersion	P3-topax 91 (1-2%, si es necesario durante 30-60 min)
Desinfección con espuma:	P3-topactiv DES (1-3%, si es necesario durante 10-30 min)

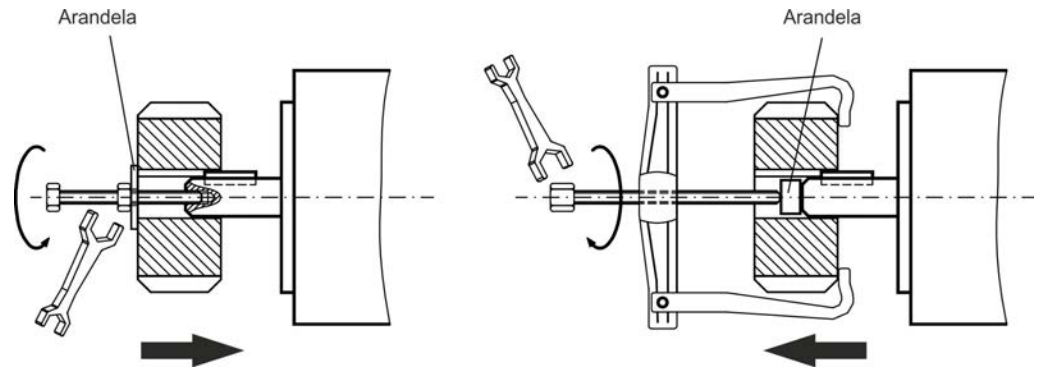
4.5 Instalación mecánica

INFORMACIÓN Los dibujos de la dimensión se pueden encontrar (→ # 186).

4.5.1 Instrucciones importantes

INFORMACIÓN Solamente los profesionales con conocimientos de mecánica están autorizados a montar.

- Proteja los motores contra esfuerzos excesivos. Durante el transporte y la manipulación, no debe haber partes dañadas.
- El lugar de instalación se encontrará libre de materiales conductores y agresivos. Durante el montaje del V3 (extremo del eje hacia arriba), ponga atención a que no penetren líquidos en los cojinetes. Antes de realizar el montaje encapsulado, consulte a nuestro Departamento de Aplicaciones.
- Asegúrese de la ventilación sin obstáculos de los motores, respetando la temperatura ambiente y la temperatura de la brida. Con temperaturas superiores a 40°C, consulte previamente con nuestro Departamento de Aplicaciones. Procure la suficiente evacuación del calor en el entorno y en la brida del motor.
- Especialmente la brida y el eje corren peligro durante el almacenamiento y montaje. En la colocación de acoplamientos, piñones y poleas para correas, utilice siempre la rosca prevista del eje del motor y, siempre que sea posible, caliente los elementos de salida. Los golpes y el empleo de la fuerza producen daños en los cojinetes y en el eje.



- Utilice siempre en lo posible tenazas tensoras sin holguras, tenazas de fricción, o acoplamiento como. Procure siempre la correcta alineación del acoplamiento. Las desviaciones producen vibraciones inadmisibles y destrozos en los cojinetes y en el acoplamiento.
- Evite siempre una suspensión mecánica sobredeterminada del eje del motor a través de un acoplamiento rígido y de suspensión adicional externa.
- Observe el número de polos del motor y del resolver y ajuste correctamente los números de polos. El ajuste incorrecto puede producir la destrucción sobre todo de los motores pequeños.
- Evite en lo posible los esfuerzos axiales del eje del motor. Los esfuerzos axiales excesivos del eje reducen mucho la vida útil del motor.
- Controle las cargas radiales y axiales autorizadas F_R y F_A . Utilizando un accionamiento por correa dentada, el diámetro mínimo autorizado del piñón se obtiene según la ecuación siguiente: $d_{\min} \geq (M_0/F_R)^*2$

4.6 Instalación eléctrica

INFORMACIÓN

El asignación de enchufes se pueden encontrar en capítulo "Connector Pinout" de (→ # 186). Pinout del amplificador se puede encontrar en el manual del amplificador.

4.6.1 Instrucciones importantes

INFORMACIÓN

Instalación eléctrica: sólo a cargo de personal especializado con formación en electrotecnia.



PELIGRO

El montaje y cableado de los motores se realizará siempre sin tensión, es decir, ninguna de las tensiones de servicio del aparato a conectar deberá estar activada.

Tocar contactos expuestos comporta peligro de muerte y riesgos graves para la salud.



Asegúrese de que la desconexión del armario de distribución sea segura (bloqueo, rótulos de advertencia, etc.). Las diferentes tensiones se conectarán en la primera puesta en funcionamiento.

No manipule nunca las conexiones eléctricas de los motores cuando se encuentren bajo tensión. Riesgo de choque eléctrico! En caso de accidente se pueden generar chispazos que dañen a las personas y a los contactos.

Las cargas residuales en los condensadores del amplificador con niveles peligrosos de hasta 10 minutos después de desconectar el cable de alimentación. Las conexiones de control y de potencia pueden provocar tensión, incluso aunque el motor no esté girando.

Mida la tensión en el circuito intermedio y espere hasta que haya descendido por debajo de 60 V.

INFORMACIÓN

El símbolo de masa , que se encuentra en todos los planos de conexión, indica que debe asegurarse de realizar una conexión en el armario de distribución con la mayor superficie posible conductora de electricidad, entre el aparato que lleva la indicación y la placa de montaje. Esta conexión hará posible la derivación de interferencias de alta frecuencia y no debe confundirse con la marca PE  (medida de protección según EN 60204). Respete también las indicaciones en los planos de conexión de las manual de instalación y de puesta en funcionamiento del servoamplificador utilizado.

4.6.2 Guía de instalación eléctrica

- Compruebe la correspondencia entre el servoamplificador y el motor. Compare la tensión nominal y la corriente nominal de los aparatos. Realice el cableado conforme al cuadro de conexiones de las Instrucciones de instalación y de puesta en funcionamiento del servoamplificador. Las conexiones se encuentran en (→ # 186).
- Realice el tendido de todos las conducciones de alta tensión con sección suficiente según EN 60204. En los datos técnicos se incluyen las secciones recomendadas.

INFORMACIÓN

En función del tipo de servoamplificador utilizado, con cables de motor largos (>25m) debe conectarse una bobina de motor (3YL o 3YLN) en el conductor del motor (véase el manual de producto del servoamplificador y el manual de accesorios).

- Asegúrese de que la toma de tierra del servoamplificador y del motor esté perfectamente instalada. Véanse la adecuada protección de compatibilidad electromagnética y de puesta a tierra en las Instrucciones de instalación del servoamplificador utilizado. Ponga a tierra la placa de montaje y el bloque del motor.
- Utilizando un cable de potencia del motor con conductores de mando de freno integrados, estos deberán estar apantallados. La pantalla estará dispuesta por ambos lados (véase manual de instalación del servoamplificador).
- Cableado:
 - Tienda los cables de potencia y de control bien separados
 - Conecte el resolver y el codificador
 - Conecte los cables del motor cerca del servoamplificador.
 - Apantallamientos a ambos lados en bornes de protección o en el enchufe de CEM
 - Conecta el freno de detención, si está montado.
 - Coloque el apantallamiento a ambos lados.
- Realice apantallamientos de gran superficie (baja resistencia) a través de cajas de enchufe metalizadas, o bien, de uniones de cable roscadas compatibles electromagnéticamente.
- Requisitos al material de cables:
 - Capacidad**
 - Cable del motor: menor que 150 pF/m
 - Cable Resolver: menor que 120 pF/m

4.6.3 Conexión de los motores con cables confeccionadas

Realice el cableado cumpliendo los reglamentos y normas vigentes.

Para las conexiones de potencia y de retorno, utilice exclusivamente los cables confeccionadas y protegidas de Kollmorgen.

Los apantallamientos mal colocados producen siempre a interferencias electromagnéticas y degradar el rendimiento del sistema.

La longitud máxima del conductor se define en el manual de producto del servoamplificador utilizado.

INFORMACIÓN

Para una descripción detallada de cables confeccionadas, refiera por favor a los manuales accesorios.

4.7 Puesta en funcionamiento

4.7.1 Instrucciones importantes

INFORMACIÓN

Solamente los profesionales con amplios conocimientos de electrotecnia y de técnicas de accionamiento están autorizados a la puesta en funcionamiento del conjunto servoamplificador-motor.



PELIGRO

Se producen tensiones peligrosas de hasta 900V. Riesgo de descarga eléctrica! Compruebe que todas las piezas de conexión que conducen tensión estén protegidas contra cualquier posible contacto.

No manipule nunca las conexiones eléctricas de los motores cuando se encuentren bajo tensión. Las cargas residuales en los condensadores del amplificador con niveles peligrosos de hasta 10 minutos después de desconectar el cable de alimentación.

Mida la tensión en el circuito intermedio y espere hasta que haya descendido por debajo de 60 V. Las conexiones de control y de potencia pueden provocar tensión, incluso aunque el motor no esté girando.



ATENCIÓN

La temperatura de la superficie del motor puede alcanzar 100 °C durante el servicio. Peligro de quemaduras leves! Compruebe (mida) la temperatura del motor.

Espere a que la temperatura haya descendido a 40 °C antes de tocar el motor con las manos



ATENCIÓN

No hay que descartar que durante la puesta en funcionamiento el accionamiento realice un movimiento imprevisto.

Asegúrese de que cualquier movimiento no deseado de la unidad no puede causar peligro para personas o bienes.

Las medidas que habrá de observar en este aspecto en su aplicación resultarán de la valoración de riesgos de dicha aplicación.

4.7.2 Guía de puesta en funcionamiento

La forma de proceder en la puesta en accionamiento se describe a modo de ejemplo. Dependiendo del tipo de puesta en servicio de los aparatos puede ser adecuado o necesario un procedimiento u otro.

1. Compruebe el montaje y la alineación del motor.
2. Compruebe el firme asiento de los elementos de salida de fuerza (acoplamiento, engranaje, polea de la correa) así como el ajuste correcto (respetar las fuerzas radiales y axiales autorizadas).
3. Compruebe el cableado y las conexiones del motor y del servoamplificador. Compruebe la correcta puesta a tierra.
4. Compruebe el funcionamiento del freno de detención, si está montado. (conectar 24V, el freno se debe soltar).
5. Compruebe si el rotor del motor gira libremente (soltar primero el freno, si está montado). Compruebe si se escuchan ruidos de fricción.
6. Compruebe si se han tomado todas las medidas de protección contra contactos para las piezas móviles y las conductoras de tensión.
7. Realice todas las comprobaciones específicas y necesarias para su equipo.
8. Conforme a las Instrucciones de puesta en funcionamiento del servoamplificador, ponga ahora en marcha el accionamiento.
9. En sistemas de varios ejes, ponga en marcha, una a una, cada una de las unidades de accionamiento servoamplificador-motor.

4.7.3 Eliminación de perturbaciones

Interprete la siguiente tabla como un botiquín de "Primera Ayuda". Las condiciones en que se ha procedido a la instalación determinan las causas por las que se produce una avería. En primer lugar se describen las causas de fallos que pueden afectar directamente al motor. Las incidencias que se presentan en el comportamiento de regulación tienen normalmente su origen en la parametrización errónea del servoamplificador. Vea la información al respecto en la documentación del servoamplificador y en el software de puesta en funcionamiento.

En el caso de sistemas poliaxiales, pueden existir otros defectos ocultos.

Error	Causas posibles	Medidas para la eliminación de fallos errores
El motor no gira	<ul style="list-style-type: none"> — No accionar el servoamplificador — Conductor de valor nominal cortado — Fases del motor cambiadas — No se ha accionado el freno — El accionamiento está bloqueado mecánicamente 	<ul style="list-style-type: none"> — Conectar la señal ENABLE — Comprobar el conductor de valor nominal — Fijar correctamente las fases del motor — Comprobar el control de los frenos — Comprobar parte mecánica
Motor gira demasiado	<ul style="list-style-type: none"> — Fases del motor cambiadas 	<ul style="list-style-type: none"> — Fijar correctamente las fases del motor
El motor vibra	<ul style="list-style-type: none"> — Interrumpida la protección del conductor del resolver — Amplificación excesiva 	<ul style="list-style-type: none"> — Cambiar el conductor del resolver — Utilizar valores por defecto del motor
Aviso de error del freno	<ul style="list-style-type: none"> — Cortocircuito el conductor de entrada de tensión del freno de detención del motor — Freno del motor defectuoso 	<ul style="list-style-type: none"> — Eliminar cortocircuito — Cambiar el motor
Aviso de error de estadio final	<ul style="list-style-type: none"> — Cable del motor tiene cortocircuito o contacto a tierra — El motor tiene cortocircuito o contacto a tierra 	<ul style="list-style-type: none"> — Cambiar el cable — Cambiar el motor
Aviso de error de resolver	<ul style="list-style-type: none"> — El enchufe del resolver no está bien insertado — El cable del resolver está interrump. 	<ul style="list-style-type: none"> — Verificar la conexión — Comprobar los conductores
Aviso de error de temperatura del motor	<ul style="list-style-type: none"> — El termointerruptor del motor se ha activado — Enchufe del resolver suelto o cable del resolver interrumpido 	<ul style="list-style-type: none"> — Esperar a que el motor se enfríe. Comprobar después por qué el motor se ha calentado — Comprobar el enchufe y cambiarlo, si es preciso Colocar el cable del resolver
Freno no actúa	<ul style="list-style-type: none"> — Momento de detención exigido excesivamente alto — Freno defectuoso — Eje del motor con sobrecarga axial 	<ul style="list-style-type: none"> — Comprobar dimensionamiento — Cambiar el motor — Verificar la carga axial y reducirla. Cambiar el motor, pues están dañados los cojinetes

4.8 Definiciones de los términos de Datos Técnicos

INFORMACIÓN

A partir de la página del capítulo "Technical Data" encontrará los datos técnicos correspondientes a cada tipo de motor (→ # 167).

Todos los datos válidos para la temperatura ambientales de 40°C y la temperatura excesiva de la bobina 100K . Determinación de los datos nominales con temperatura de contrabrida de 65 °C constantes Los datos pueden tener una tolerancia de el +/- 10%.

Par motor de parada M_0 [Nm]

El par motor de parada puede ser entregado durante un tiempo ilimitado desde un velocidad de $0 < n < 100 \text{ min}^{-1}$ y en condiciones ambientales nominales.

Par motor nominal M_n [Nm]

El par motor nominal se entrega cuando el motor es alimentado con la corriente nominal a velocidad nominal. El par motor nominal puede ser entregado durante un tiempo ilimitado en servicio continuo (S1) al velocidad nominal.

Corriente de parada I_{0rms} [A]

La corriente de parada es el valor efectivo de la corriente sinusoidal que recibe el motor al $0 < n < 100 \text{ min}^{-1}$, para poder entregar el par motor de parada.

Corriente máxima (corriente pulsatoria) I_{0max} [A]

La corriente máxima (valor sinusoidal eficaz) es varias veces la corriente de parada, dependiendo del motor. El valor real es determinado por la corriente máxima del servoamplificador se utiliza que.

Constante de par motor K_{Trms} [Nm/A]

La constante indica el par motor en Nm que genera el motor con 1A de corriente efectiva sinusoidal. $M = I \times K_T$ (hasta un máximo de $I = 2 \times I_0$)

Constante de tensión K_{Erms} [mV/min⁻¹]

La constante de tensión indica la fuerza electromotriz inducida del motor referida a 1000 min^{-1} como valor efectivo sinusoidal entre dos bornes. Medida a 25 °C.

Momento de inercia del rotor J [kgcm²]

La constante J es una medida de la capacidad de aceleración del motor. Con I_0 resulta, por ejemplo, un tiempo de aceleración t_b de 0 hasta 3000 min^{-1} :

$$t_b \left[s \right] = \frac{3000 \cdot 2\pi}{M_0 \cdot 60s} \cdot \frac{m^2}{10^4 \cdot cm^2} \cdot J \quad \text{con } M_0 \text{ en Nm y } J \text{ en kgcm}^2$$

Constante térmica de tiempo t_{th} [min]

La constante t_{th} indica el tiempo de calentamiento del motor frío bajo carga con I_0 hasta alcanzar $0,63 \times 10^5$ Kelvin de sobretensión. Bajo carga con corriente máxima, el calentamiento tiene lugar en un tiempo mucho menor.

Tiempos de respuesta del freno t_{BRH} [ms] / t_{BRL} [ms]

Las constantes indican los tiempos de reacción del freno de detención en funcionamiento con tensión nominal en el servoamplificador.

U_N

Tensión nominal del red

U_n

Tensión nominal del circuito intermedio. $U_n = \sqrt{2} \cdot U_N$

-/-

5 Français

5.1 Généralités	112
5.1.1 Au sujet de ce manuel	112
5.1.2 Abréviations utilisées	112
5.1.3 Symboles utilisés	112
5.2 Sécurité	113
5.2.1 Consignes de sécurité	113
5.2.2 Utilisation conforme	115
5.2.3 Utilisation non conforme	115
5.2.4 Manipulation	116
5.3 Identification de produit	118
5.3.1 Fournitures	118
5.3.2 Plaque signalétique	118
5.3.3 Clé de type	119
5.4 Description technique	123
5.4.1 Données techniques générales	123
5.4.2 Conception	123
5.4.3 Bride	123
5.4.4 Indice de protection	123
5.4.5 Classe d'isolation	124
5.4.6 Surface	124
5.4.7 Côté bout d'arbre A	124
5.4.8 La bague d'étanchéité	124
5.4.9 Dispositif de protection	124
5.4.10 Classe vibrationnelle	125
5.4.11 Technologie de câblage	126
5.4.12 Frein de maintien	127
5.4.13 Ventilateur pour AKM7	127
5.4.14 Washdown et Washdown Food	128
5.5 Installation mécanique	131
5.5.1 Remarques importantes	131
5.6 Installation électrique	132
5.6.1 Remarques Importantes	132
5.6.2 Guide d'installation électrique	133
5.6.3 Raccordement des moteurs avec câblage prééquipés	133
5.7 Mise en service	134
5.7.1 Remarques importantes	134
5.7.2 Guide de mise en service	135
5.7.3 Dépannage	136
5.8 Définitions des concepts de données techniques	137

5.1 Généralités

5.1.1 Au sujet de ce manuel

Ce manuel décrit les servomoteurs synchrones de la série AKM (modèle standard). Dans le système d'entraînement, les moteurs sont utilisés avec les variateurs numériques de Kollmorgen. Respectez de ce fait l'ensemble de la documentation du système, qui se compose de:

- Manuel du produit du variateur numérique
- Manuel profil de communication (p.e. CANopen ou EtherCAT)
- Online help du logiciel setup du variateur numérique
- Manuel des accessoires
- Description technique de la série de moteurs AKM







Plus d'information de fond peut être trouvée dans notre "WIKI Produit", disponible à www.wiki-kollmorgen.eu.

5.1.2 Abréviations utilisées

INFORMATION

Les abréviations utilisées pour les données techniques, voir (→ # 137).
Dans ce document, le symbolisme (→ # 53) signifie : voir page 53.

5.1.3 Symboles utilisés

Symbole	Indication
 DANGER	Indique une situation dangereuse qui, faute de prendre les mesures adéquates, entraînera des blessures graves, voire mortelles.
 AVERTISSEMENT	Indique une situation dangereuse qui, faute de prendre les mesures adéquates, peut entraîner des blessures graves, voire mortelles.
 ATTENTION	Indique une situation dangereuse qui, faute de prendre les mesures adéquates, peut entraîner des blessures assez graves ou légères.
AVIS	Il ne s'agit pas d'un symbole de sécurité. Indique des situations qui, faute de prendre les mesures adéquates, peuvent entraîner des dommages matériels.
INFORMATION	Il ne s'agit pas d'un symbole de sécurité. Ce symbole indique des remarques importantes.
	Avertissement de danger (en général). Le type de danger est indiquée par le texte d'avertissement ci-contre.
	Avertissement de tension électrique dangereuse et l'effet.
	Avertissement des surfaces chaudes.
	Avertissement d'une charge suspendue.

5.2 Sécurité

5.2.1 Consignes de sécurité

Personnel spécialisé

Seul un personnel spécialisé qualifié doit exécuter des tâches telles que le transport, le montage, la mise en service et la maintenance. On considère comme personnel spécialisé qualifié les personnes familiarisées avec le transport, l'implantation, le montage, la mise en service et l'exploitation des moteurs et disposant des qualifications en rapport avec leur activité.

- Transport : uniquement par du personnel connaissant la manutention de composants sensibles à l'électricité statique
- Déballage : uniquement par du personnel spécialisé ayant une formation en électrotechnique
- Installation : uniquement par du personnel spécialisé ayant une formation en électrotechnique.
- Mise en service : uniquement par du personnel spécialisé ayant des connaissances étendues dans les domaines de l'électrotechnique et des systèmes d'entraînement

Le personnel spécialisé doit connaître et respecter les normes CEI 60364 ou CEI 60664 et instructions préventives contre les accidents nationales.

Lecture de la documentation

Lisez la documentation fournie avant le montage et la mise en service. Une mauvaise manipulation du moteur peut entraîner des dommages aux personnes et aux biens. L'exploitant doit donc s'assurer que toutes les personnes auxquelles sont confiés des travaux sur le système d'entraînement ont bien lu le manuel d'utilisation, l'ont compris et que les instructions de sécurité de ce manuel sont respectées.

Prise en compte des données techniques!

Respectez les caractéristiques techniques et les indications relatives aux conditions de raccordement (plaque signalétique et documentation). Le dépassement des valeurs de tension ou d'intensité autorisées peut entraîner des dommages sur le moteur.

Analyse des risques!

Le constructeur de la machine doit faire établir une analyse de danger pour la machine et prendre les mesures appropriées pour que des mouvements intempestifs n'entraînent pas des dommages corporels et/ou matériels.

Transport en toute sécurité!

Levez et déplacez les moteurs d'un poids supérieur à 20 kg (AKM7 et AKM8) uniquement à l'aide d'engins de levage. Vous courez le risque de vous blesser au dos. Veuillez tenir compte des conseils prodigués en (→ # 116) .

Fixation des clavettes!

Enlevez ou bloquez toute clavette d'arbre éventuellement présent si le moteur est en roue libre, afin d'éviter la projection de la clavette et le risque de blessure qui en découle. À leur livraison, les clavettes sont munies d'un capuchon un plastique.

Surface chaude

En exploitation, les moteurs ayant cet indice de protection peuvent présenter une surface chaude en conséquence. Risque de brûlures! La température de surface peut dépasser 100°C. Mesurez la température et attendez que le moteur se soit refroidi à 40°C avant de le toucher.





Mise à la terre! Hautes tensions!

Assurez-vous de la mise à la terre correcte du moteur, avec le profilé PE de l'armoire électrique comme potentiel de référence. Risque de choc électrique. Faute d'une mise à la terre de faible impédance, la sécurité des personnes n'est pas assurée et il existe un risque de choc électrique pouvant être mortel.

L'absence d'indications visuelles ne garantit pas l'absence de tension. Les connexions de puissance peuvent véhiculer la tension, même quand le moteur ne tourne pas.

Ne tirez aucun connecteur mâle en exploitation. Il ya un danger de mort ou de blessures graves en cas de contact contacts exposés. Les connexions de puissance peuvent véhiculer la tension même quand le moteur ne tourne pas. Ne débranchez jamais les connexions électriques des moteurs sous tension. Dans des cas défavorables, des arcs électriques peuvent se former et causer des dommages aux personnes et aux contacts.

Attendez plusieurs minutes après que l'amplificateur d'asservissement a été déconnecté des tensions d'alimentation avant de toucher les pièces sous tension (telles que contacts/boulons filetés) ou de débrancher connexions.

Les condensateurs du variateur conduisent des tensions dangereuses pendant plusieurs minutes après la déconnexion des tensions d'alimentation. Par sécurité, mesurez la tension du circuit intermédiaire et attendez qu'elle soit descendue au-dessous de 60V.

Fixation des charges suspendues!



Les freins de maintien incorporés ne garantissent pas la sécurité fonctionnelle. Concernant plus particulièrement les charges suspendues (axes verticaux), la sécurité des personnes ne peut être garantie qu'avec un frein mécanique externe supplémentaire.

5.2.2 Utilisation conforme

- Les servomoteurs synchrones de la série AKM sont tout particulièrement conçus pour l'entraînement de matériels de manutention, machines textiles, machines-outils, machines d'emballage et autres ayant des exigences de dynamique élevées.
- Vous ne devez utiliser les moteurs qu'à condition de respecter les conditions d'environnement définies dans cette documentation.
- Le fonctionnement des moteurs "**Washdown**" est autorisé en présence d'acides et de solutions alcalines corrosifs conformément aux conditions définies au (→ # 128).
- Le fonctionnement des moteurs "**Washdown Food**" est autorisé en cas de contact indirect avec les denrées alimentaires.
- Les moteurs de la série AKM sont **exclusivement** conçus pour être commandés par des variateurs numériques à réglage de vitesse ou de couple.
- Les moteurs sont incorporés comme composants d'installations ou de machines électriques et ne doivent être mis en service que comme composants intégrés de l'installation.
- Le sensor thermique de mise à la terre intégré dans les enroulements du moteur doit être évalué et surveillé.
- Les freins de maintien sont dimensionnés comme freins d'arrêt et ne se prêtent pas à des procédures de freinage permanentes et opérationnelles.
- Nous ne garantissons la conformité du système asservi aux normes indiquées en (→ # 207) et la EC Declaration of Conformity qu'en cas d'utilisation de composants livrés par nous (variateur numérique, moteur, câbles, etc.).

5.2.3 Utilisation non conforme

- Le fonctionnement des moteurs **Standard** est interdit
 - directement sur le réseau,
 - dans des environnements explosibles,
 - en contact avec des denrées alimentaires,
 - en présence d'acides, de solutions alcalines, d'huiles, de vapeurs et de poussières corrosifs et/ou conducteurs.
- Le fonctionnement des moteurs "**Washdown**" est interdit
 - directement sur le réseau,
 - dans des environnements explosibles,
 - en contact avec des denrées alimentaires,
 - en présence d'acides ou de solutions alcalines affichant un pH inférieur à 2 ou supérieur à 12,
 - en présence d'acides ou de solutions alcalines non testés par Kollmorgen.
- Le fonctionnement des moteurs "**Washdown Food**" est interdit
 - directement sur le réseau,
 - dans des environnements explosibles,
 - en contact direct avec des denrées alimentaires.
- L'utilisation du moteur conforme à la destination est interdite lorsque la machine dans laquelle il a été monté,
 - ne correspond pas aux dispositions de la directive machines CE
 - ne satisfait pas à la disposition de la directive CEM
 - ne satisfait pas à la disposition de la directive basse tension
- Les freins de maintien incorporés ne peuvent pas être utilisés seuls pour garantir la sécurité fonctionnelle.

5.2.4 Manipulation

5.2.4.1 Transport

- Classe de climat: 2K3 selon EN61800-2, IEC 60721-3-2
- Température: -25...+70 °C, variation max. 20 K/h
Humidité: humidité relative 5% - 95% sans condensation
- Uniquement par un personnel qualifié dans l'emballage réutilisable d'origine du fabricant
- Évitez les chocs, en particulier sur le bout d'arbre si l'emballage est abîmé.
- Vérifiez si le moteur présente des dégâts visibles. Informez le transporteur et le cas échéant le fabricant.

Transport de moteurs de plus de 20 kg

Les œillets de levage fournis doivent être utilisés pour un transport sécurisé des moteurs AKM7 et AKM8 (>20kg). Tenez compte des instructions relatives au transport fournies avec le moteur. Nous recommandons l'outil ZPZM 120/292 de transport pour déplacer les moteurs. L'unité suspendue se compose d'un faisceau, suspendu au crochet de grue et deux double-courant les bretelles à chaînes.

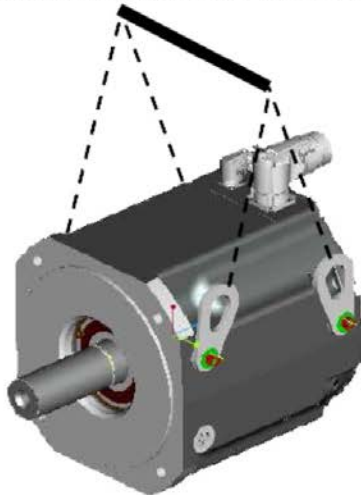


DANGER

Suspendu charge. Danger de mort lorsque la dernière panne. Ne jamais passer sous la charge pendant les opérations de levage !

- Les vis de fixation des œillets de levage doivent être serrées complètement.
- Les œillets de levage doivent reposer à plat et intégralement sur la surface concernée.
- Avant toute utilisation, il convient de vérifier le bon positionnement des œillets de levage et l'absence de dommages visibles (corrosion, déformation).
- Les œillets de levage présentant des déformations ne doivent plus être utilisés.

B1/ 4 x LIFTING BOLT PLUS LIFTING BEAM



B2/ 2 x LIFTING BOLT PLUS LIFTING BEAM



B3/ 2 x LIFTING BOLT PLUS LIFTING BEAM



5.2.4.2 Emballage

- Emballage de carton avec revêtement de Instapak®.
- La part de matière plastique vous pouvez retourner aux fournisseurs (voir "Disposition")

Type de moteur	Emballage	Hauteur du tas max.	Type de moteur	Emballage	Hauteur du tas max.
AKM1	Carton	10	AKM5	Carton	5
AKM2	Carton	10	AKM6	Carton	1
AKM3	Carton	6	AKM7	Carton	1
AKM4	Carton	6	AKM8	Palette	1

5.2.4.3 Stockage

- Classe de climat: 1K4 selon EN61800-2, IEC 60721-3-2
- Température: -25...+55°C, variation max. 20 K/h
- Humidité :humidité relative5%- 95% sans condensation
- Uniquement dans l'emballage réutilisable d'origine du fabricant
- Hauteur du tas max.: voir le tableau Emballage
- Durée de stockage: sans limitation

5.2.4.4 Maintenance / Nettoyage

- Uniquement par un personnel qualifié
- Après 20 000 heures de service dans les conditions nominales, les roulements à billes doivent être remplacés.
- Vérifiez toutes les 2500 heures de service ou une fois par an si le moteur émet des bruits de roulements à billes. Si vous constatez des bruits, le moteur ne doit pas continuer à être exploité : les roulements à bille doivent être changés.
- L'ouverture du moteur annule la garantie.
- Nettoyage du boîtier par l'isopropanol ou analogue, ne pas tremper ou asperger

5.2.4.5 Réparation / Disposition

Seul le fabricant peut procéder à des réparations sur le moteur, l'ouverture des équipements annule la garantie. Dans l'accord au WEEE-2002/96/EG-Guidelines nous rapportons de vieux dispositifs et accessoires pour la disposition professionnelle, si les coûts de transport sont y assuré l'expéditeur. Renvoyez-le au fabricant:

KOLLMORGEN Europe GmbH
Pempelfurtstr. 1
D-40880 Ratingen

5.3 Identification de produit

5.3.1 Fournitures

- Servomoteur de la série AKM
- Manuel imprimé de produit (langue multi), une seule pièce par livraison

5.3.2 Plaque signalétique

Pour les moteurs standard, la plaque signalétique est collée à demeure sur le côté du boîtier. Pour les moteurs étanches, la plaque signalétique est gravée sur le côté, à l'intérieur du boîtier. Une plaque signalétique supplémentaire est jointe à chaque unité de conditionnement.

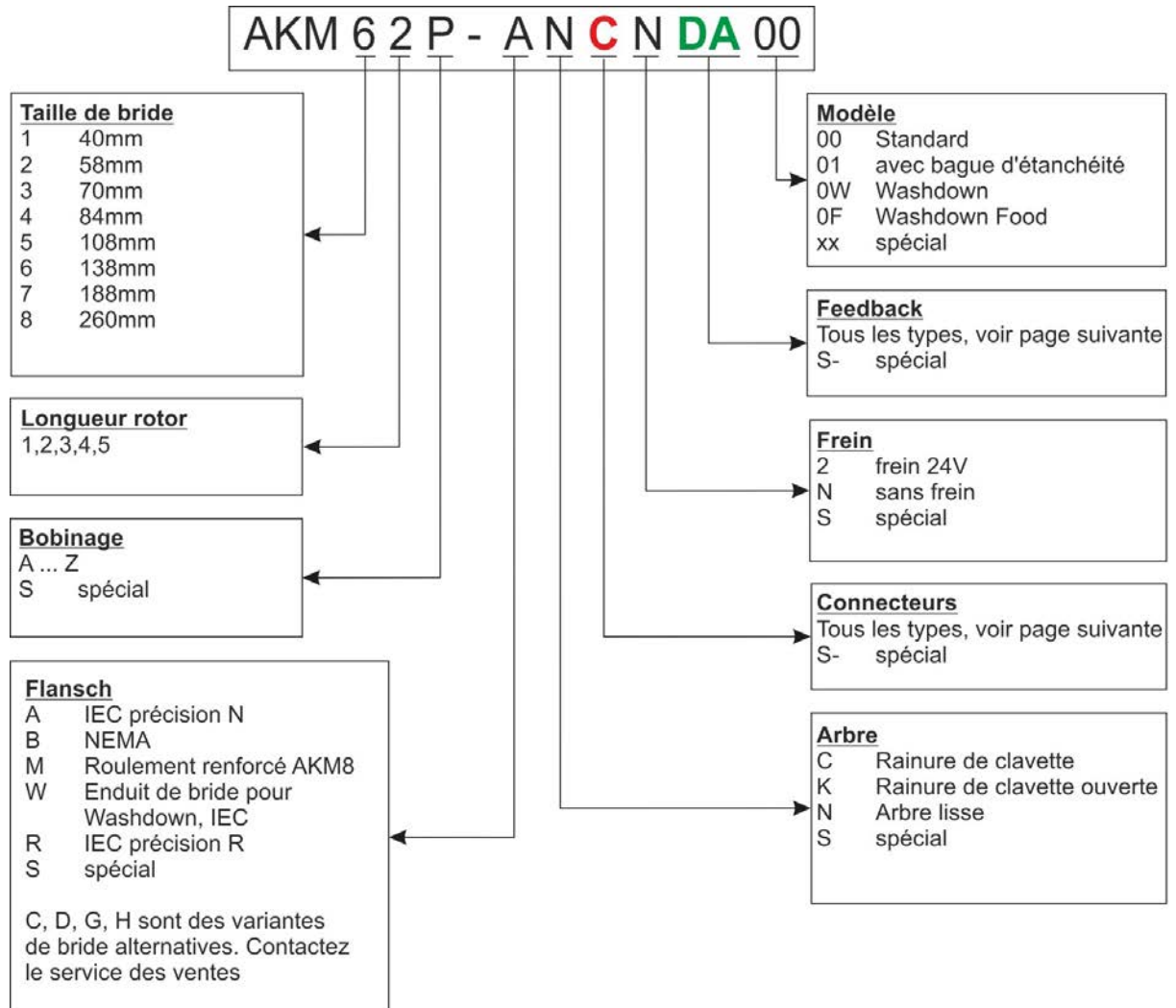


Légende:

MODEL	Type de moteur
CUST P/N	Nombre du produit du client
Ics	I0rms (Courant d'arrêt)
Tcs	M0 (Couple d'arrêt)
Vs	Un (Tension circuit intermédiaire)
Nrtd	nn (Vitesse nominale @ Un)
Prtd	Pn (Puissance nominale)
Rm	R25 (Résistance @ 25°)
SERIAL	Numéro de série
AMBIENT	température ambiante laissée

L'année de la fabrication est codée dans le numéro de série: les deux premiers chiffres du numéro de série sont l'année de la fabrication, par exemple "14" signifie 2014.

5.3.3 Clé de type



5.3.3.1 Options de connecteur(C)

Les affectations de connecteurs des options figurent à partir de la page (→ # 200).

Description technique de connecteurs utilisés voir Product Wiki ([Mating Connectors](#)).

Description des connexions

Type de connecteur	Utilisation*	No. de pôles Puiss./Signal	Courant max. [A] Puiss./Signal	Section max. [mm ²] Puiss./Signal	Protection	Connecteur d'accouplement suggéré
M23 SpeedTec Ready (taille 1)	Puissance & Frein	4 / 4	30 / 10	4 / 1.5	IP65	BSTA-108-NN-00-08-0036
	Feedback	- / 12	- / 10	- / 0.5	IP65	ASTA-021-NN-00-10-0035
	Feedback	- / 17	- / 9	- / 0.5	IP65	ASTA-035-NN-00-10-0035
	Hybrid*	4 / 4	30 / 10	4 / 1.5	IP65	BSTA-108-NN-00-08-0036
M40 (taille 1.5)	Puissance & Frein	4 / 2	75 / 30	16 / 4	IP65	CSTA-263-NN-00-26-0001
M12	DRIVE-CLiQ	- / 8	- / 2	- / 0,5	IP65	Norme Siemens Drive Cliq-câble
M23-6	DRIVE-CLiQ	6 / -	30 / -	4 / -	IP65	
i-tec	Hybrid*	4 / 5	14 / 3.6	1.5 / 0.75	IP65	ESTB-202-NN-00-1110-0500
y-tec	Puissance & Frein	4 / 5	14 / 3.6	1.5 / 0.75	IP65	ESTB-202-NN-00-31-0500
	Feedback	- / 12	- / 5	- / 0.75	IP65	ESTB-002-NN-00-31-0001
	Feedback	- / 15	- / 5	- / 0.75	IP65	ESTB-205-NN-00-31-0002
Caisson des bornes	Puissance & Frein	4 / 2	150 / 15	25 / 2.5	IP65	-

* Des moyens hybrides: puissance et la rétroaction (frein) sur le même connecteur et dans une ligne

Référence Connection-Moteur

PTC*	KTY 84-130*	KTY 83-110*	Type de connexion	Utilisable avec	Position de connexion
B	1	3	2 connecteurs SpeedTec Ready	AKM2	incliné, orientables, sur le moteur
C	7	-	2 connecteurs SpeedTec Ready	AKM1-AKM2	sur un câble 0,5 m
C	1	3	2 connecteurs SpeedTec Ready	AKM3-AKM7 (≤23, 5A)	incliné, orientables, sur le moteur
D**	-	D**	1 connecteur i-tec Hybrid	AKM1	sur le moteur
D**	-	D**	1 connecteur Hybrid SpeedTec Ready	AKM2-AKM6	incliné, orientables, sur le moteur
G	-	-	2 connecteurs SpeedTec Ready	AKM2-AKM6	droits, sur le moteur
H	1	3	1 connecteur puissance M40, 1 connecteur Feedback SpeedTec Ready	AKM7 & AKM82T	incliné, orientables, sur le moteur
-	R**	-	1 connecteur puissance M23-6, 1 connecteur Feedback M12	AKM4-AKM7 (≤23, 5A)	sur le moteur. M23-6 incliné, orientables. M12 droits.
T	2	4	1 caisson des bornes, 1 connecteur Feedback SpeedTec Ready	AKM8	sur le moteur
-	U**	-	1 connecteur puissance M23-6, 1 connecteur Feedback M12	AKM4-AKM7 (≤23, 5A)	droits, sur le moteur
Y	1	3	1 connecteur y-tec	AKM1	sur le moteur

* capteur de température PTC ou KTY (→ # 124)

** Avec l'option de connecteur D, R et U le type de capteur de température dépend de la Feedback, voir (→ # 122)

5.3.3.2 Options de Feedback (DA)

La longueur du moteur dépend de l'unité de retour intégrée (feedback). Voir les plans cotés à partir de (→ # 186). Une incorporation ultérieure n'est pas possible. Les affectations de connecteurs à partir de (→ # 200) .

Description technique de Feedback utilisés voir Product Wiki ([MultiFeedback](#)).

Description de Feedback

Code	Description	Type	Remarque	Lignes par tour	Nombre de rotations	Utilisable avec variateur
1-	Comcoder	EPC 15T	Single Turn, optique	1024	1	Tous
2-	Comcoder	EPC 15T	Single Turn, optique	2048	1	Tous
AA	BiSS B Encoder	AD34/AD58	Single Turn, optique	2048	1	Tous
AB	BiSS B Encoder	AD34/AD58	Multi Turn, optique	2048	4096	Tous
C-	SFD	Size 10/15/21	Single Turn, inductif, 4 fils	11bit	1	AKD
CA	SFD3	Size 10/15/21	Single Turn, inductif, 2 fils	11bit	1	AKD,S700
DA	EnDAT 2.1 Encoder	ECN1113/1313	Single Turn, optique	512/2048*	1	Tous
DB	EnDAT 2.1 Encoder	EQN1125/1325	Multi Turn, optique	512/2048*	4096	Tous
LA	EnDAT 2.1 Encoder	ECI1118/1319	Single Turn, inductif	16/32**	1	Tous
LB	EnDAT 2.1 Encoder	EQI1130/1331	Multi Turn, inductif	16/32**	4096	Tous
MA	DRIVE-CLiQ Encoder	ECN1324S	Safety Single Turn, optique	24bit	1	Siemens
MB	DRIVE-CLiQ Encoder	EQN1336S	Safety Multi Turn, optique	24bit	4096	Siemens
GA	HIPERFACE Encoder	SKS36	Single Turn, optique	128	1	Sx
GB	HIPERFACE Encoder	SKM36	Multi Turn, optique	128	4096	Sx
GC	HIPERFACE Encoder	SEK34	Single Turn, capacitif	16	1	Sx
GD	HIPERFACE Encoder	SEL34	Multi Turn, capacitif	16	4096	Sx
GE	HIPERFACE DSL Encoder	EKS36	Single Turn, optique	18bit	1	AKD,S700
GF	HIPERFACE DSL Encoder	EKM36	Multi Turn, optique	18bit + 12bit	4096	AKD,S700
GJ	HIPERFACE Encoder	SKS36	Single Turn, optique	128	1	AKD
GK	HIPERFACE Encoder	SKM36	Multi Turn, optique	128	4096	AKD
GM	Safe HIPERFACE Encoder	SKS36S	Safety, à GJ , SIL2, PLd, Cat.3	128***	1	AKD
GN	Safe HIPERFACE Encoder	SKM36S	Safety, à GK , SIL2, PLd, Cat.3	128***	4096	AKD
GP	HIPERFACE Encoder	SEK34	Single Turn, capacitif	16	1	AKD
GR	HIPERFACE Encoder	SEL34	Multi Turn, capacitif	16	4096	AKD
R-	Résolveur	Size 10/15/21	Single Turn, inductif	2 pôles	1	Tous

* x/y donne pour AKM2-4/AKM5-8

** x/y donne pour AKM2-3/AKM4-8

*** Les certificats voir Product-WIKI ([Approvals](#)) ou Kollmorgen website.

Référence Feedback-Moteur

Connecteur (PTC/KTY83-110) Code	Feedback	B/1	C/1	C/7 (cable)	D/D	G/-	H/1	-/R	T/2	-/U	Y/1
					Utilisable avec AKM...						
1-	Comcoder	2	3-7	1-2	-	2-6	7,82T	-	8	-	1
2-	Comcoder	2	3-7	1-2	-	2-6	7,82T	-	8	-	1
AA	BiSS B	2	3-7	2	-	2-6	7,82T	-	8	-	-
AB	BiSS B	2	3-7	2	-	2-6	7,82T	-	8	-	-
C-	SFD*	2	3-7	1-2	1-6 (PTC)	2-6	7,82T	-	8	-	1
CA	SFD3	-	-	-	1-6 (KTY)	-	-	-	-	-	-
DA	EnDAT 2.1	2	3-7	2	-	2-6	7,82T	-	8	-	-
DB	EnDAT 2.1	2	3-7	2	-	2-6	7,82T	-	8	-	-
LA	EnDAT 2.1	2	3-7	2	-	2-6	7,82T	-	8	-	-
LB	EnDAT 2.1	2	3-7	2	-	2-6	7,82T	-	8	-	-
MA	DRIVE-CLiQ**	-	-	-	-	-	-	4-7	-	4-7	-
MB	DRIVE-CLiQ**	-	-	-	-	-	-	4-7	-	4-7	-
GA	Hiperface	2	3-7	2	-	2-6	7,82T	-	8	-	-
GB	Hiperface	2	3-7	2	-	2-6	7,82T	-	8	-	-
GC	Hiperface	-	-	1	-	-	-	-	-	-	1
GD	Hiperface	-	-	1	-	-	-	-	-	-	1
GE	Hiperface DSL	-	-	-	2-6 (KTY)	-	-	-	-	-	-
GF	Hiperface DSL	-	-	-	2-6 (KTY)	-	-	-	-	-	-
GJ	Hiperface	2	3-7	2	-	2-6	7,82T	-	8	-	-
GK	Hiperface	2	3-7	2	-	2-6	7,82T	-	8	-	-
GM	Safe Hiperface***	2	3-7	2	-	2-6	7,82T	-	8	-	-
GN	Safe Hiperface***	2	3-7	2	-	2-6	7,82T	-	8	-	-
GP	Hiperface	-	-	1	-	-	-	-	-	-	1
GR	Hiperface	-	-	1	-	-	-	-	-	-	1
R-	Resolver	2	3-7	1-2	-	2-6	7,82T	-	8	-	1

* sans frein

** le type de capteur de température selon les exigences actuelles de Siemens. Pour plus d'informations contacter Kollmorgen.

*** seulement avec PTC

5.4 Description technique

5.4.1 Données techniques générales

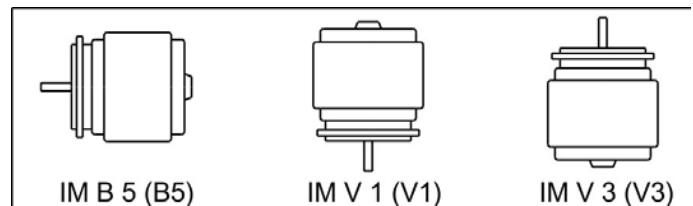
Température ambiante (pour des valeurs nominales)	5...+40°C pour une altitude d'installation jusqu'à 1000 m Pour des températures ambiantes supérieures à 40 °C et une structure cuirassée des moteurs, consultez impérativement notre département d'applications.
Humidité admissible (pour des valeurs nominales)	Humidité admissible 95 % d'humidité relative, sans condensation
Réduction de puissance (courants et couples)	1%/K dans la zone 40 °C...50 °C jusqu'à 1000 m d'altitude pour des altitudes d'installation dépassant 1000m et 40 °C 6% pour 2000 m d'altitude 17% pour 3000 m d'altitude 30% pour 4000 m d'altitude 55% pour 5000 m d'altitude Pas de réduction de puissance pour des altitudes d'installation supérieures à 1000 m et une réduction de température de 10 K / 1000 m
Durée de vie des roulements	≥ 20 000 heures de service

INFORMATION

Données techniques voir de (→ # 167).

5.4.2 Conception

La conception de base des servomoteurs AKM est la conception IM B5 selon EN 60034-7.



5.4.3 Bride

Brides selon la norme CEI: précision selon DIN 42955. Tolérances de l'extension de l'arbre et des brides de montage pour les machines électriques tournantes.

Code	Bride
A	IEC avec précision N, ajustement AKM1: h7, ajustement AKM2-8: j6
R	IEC avec précision R, ajustement AKM1: h7, ajustement AKM2-8: j6
M	IEC avec précision N, ajustement j6, roulement renforcé, seulement AKM8
W	IEC, ajustement j6, peinture de bride pour moteurs Washdown ou Washdown Food
B	NEMA, dimensions: voir <i>AKM Selection Guide</i> (Kollmorgen Website, US-English)

5.4.4 Indice de protection

Modèle standard	Option Connecteur	Bague à lèvres	Indice de protection
AKM1	C, D	sans	IP40
AKM1	C, D	avec	IP65
AKM2-AKM8	B, C, D, G, H, T	sans	IP54
AKM8	H, T	sans	IP52
AKM2-AKM8	B, C, D, G, H, T	avec	IP65
AKM2-AKM6 Washdown	B, C, D, G	avec	IP67
AKM2-AKM6 Washdown Food	B, C, D, G	avec	IP67

5.4.5 Classe d'isolation

Les moteurs correspondent à la classe d'isolation F selon la norme IEC 60085 (UL1446 class F).

5.4.6 Surface

Les moteurs sont enduits de l'enduit de poudre de polyester dans le noir mat et ne présentent pas de résistance aux solvants (trichloréthylène, diluant ou autres).

5.4.7 Côté bout d'arbre A

La transmission de puissance s'effectue via le bout d'arbre cylindrique A, ajustement k6 (AKM1: h7) selon EN 50347 à l'aide du raccord fileté mais **sans rainure de clavette**. Les moteurs sont également disponibles avec rainure et clé insérée selon la norme DIN6885. L'arbre avec rainure de clavette est équilibré avec clé courte (demi).

Pour la durée de vie des paliers, on se fonde sur 20 000 heures de service.

Code d'arbre	Arbre	Disponible pour
N	Arbre lisse	tous les types, standard
C	Rainure de clavette, fermé	AKM 2...8
K	Rainure de clavette, ouverte	AKM 1...8

Force radiale

Si l'entraînement des moteurs s'effectue par pignon ou par courroie dentée, des forces radiales élevées entrent en jeu. Vous trouverez les valeurs autorisées en bout d'arbre en fonction de la vitesse dans les schémas de (→ # 186). Vous trouverez les valeurs maximales dans les données techniques de (→ # 167). En cas d'application d'une force au milieu du bout d'arbre libre, FR peut s'élever de 10%.

Force Axiale

Des forces axiales apparaissent avec l'assemblage des pignons ou l'arbre et pour l'entreprise p. ex. des boîtes de vitesses d'angle. Vous trouverez les valeurs max. dans les données techniques.

Accouplements

Des pinces de serrage biconiques éventuellement complétées d'accouplements à soufflets métalliques se sont révélées être des éléments d'accouplement sans jeu idéaux.

5.4.8 La bague d'étanchéité

Si le AKM doit être couplée à une bride de la machine à arbre zone non protégée, la bague d'étanchéité (option 01) à sceller.

- La bague d'étanchéité d'arbre Téflon assure la protection IP67 dans le domaine de l'arbre moteur.
- Les données nominales du moteur peut être réalisé après quelques heures (run-in) pendant le fonctionnement normal. Une procédure de run-in spécial est pas nécessaire.
- Il peut se former en Téflon abrasion. Cela ne modifie pas la fonction.
- Le fonctionnement de la bague d'étanchéité à sec n'est pas autorisé. Quand fonctionnement à sec est nécessaire, demandez une solution spéciale de Kollmorgen.
- Joint d'arbre est pré-lubrifié par de la graisse FDA.

5.4.9 Dispositif de protection

Dans le modèle standard, chaque moteur est équipé d'un PTC à potentiel flottant. Le point de commutation est à 155°C ± 5%. Le PTC n'offre pas de protection contre les surcharges très élevées et brèves.

Le moteur peut éventuellement est doté d'un capteur température KTY 83-110, KTY 84-130 (voir les options de raccordement 1, 2, 7 et D (→ # 120) (→ # 200)).

Avec le système de rétroaction numérique SFD, SFD3, DSL (C-, CA, GE, GF) l'état du capteur de température est transmis numériquement et évaluée dans le variateur.

Le capteur est intégré grâce à notre câble feedback prééquipé dans le système de surveillance des variateurs.

5.4.10 Classe vibrationnelle

Les moteurs sont présentés avec un facteur de qualité vibrationnel A selon EN 60034-14. Cela signifie donc, pour une plage de vitesse de 600 à 3600 rpm et une hauteur d'axe entre 56 et 132 mm, un niveau de vibration admissible de 1,6 mm/s en tant que valeur effective.

Vitesse [rpm]	max. rel. Déplacement Vibratoire [μm]	max. Run-out [μm]
≤ 1800	90	23
> 1800	65	16

5.4.11 Technologie de câblage

5.4.11.1 Connecteurs

Descriptions des connecteurs disponibles: (→ # 120). Affectation des broches: (→ # 200).

5.4.11.2 Sections

Câble Puissance, Câble Combi

Les câbles Combi contiennent 4 fils de puissance et deux fils blindés pour le freinage.

Câble	Section Câble Combi	Intensité maximale admissible	Remarques
(4x1)	(4x1+(2x0,75))	0A < I _{0rms} ≤ 10,1A	Les parenthèses (...) indiquent la tresse de blindage. Intensité maximale admissible selon la norme EN60204-1:2006, tableau 6, colonne B2
(4x1,5)	(4x1.5+(2x0,75))	10,1A < I _{0rms} ≤ 13,1A	
(4x2,5)	(4x2.5+(2x1))	13,1A < I _{0rms} ≤ 17,4A	
(4x4)	(4x4+(2x1))	17,4A < I _{0rms} ≤ 23A	
(4x6)	(4x6+(2x1))	23A < I _{0rms} ≤ 30A	
(4x10)	(4x10+(2x1,5))	30A < I _{0rms} ≤ 40A	
(4x16)	(4x16+(2x1,5))	40A < I _{0rms} ≤ 54A	
(4x25)	(4x25+(2x1,5))	54A < I _{0rms} ≤ 70A	

Câbles Feedback

Type	Section	Remarques
Résolveur, SFD	(4x2x 0,25)	
Encoder	(7x2x 0,25)	BiSS, EnDAT, HIPERFACE
Comcoder	(8x2x 0,25)	Codeur incremental + Hall

Câbles Hybrides

Type	Section	Remarques
SFD	(4x1.0+2x(2x0.75))	4 fils puissance & 4 fils signaux pour SFD
SFD	(4x1.5+2x(2x0.75))	
SFD3/DSL	(4x1.0+(2x0.34)+(2x0.75))	ou
SFD3/DSL	(4x1.5+(2x0.34)+(2x0.75))	4 fils puissance & 2 files frein &
SFD3/DSL	(4x2.5+(2x0.34)+(2x1.0))	2 fils signaux pour SFD3/DSL
SFD3/DSL	(4x4+(2x0.34)+(2x1.0))	

Description technique de Câbles Hybrides utilisés voir Product Wiki ([Hybrid Cables](#)).

5.4.12 Frein de maintien

Alternativement, les moteurs sont disponibles avec un frein de maintien incorporé. Le frein de pression de ressort (24 V CC) bloque le rotor à l'état hors tension.



AVERTISSEMENT

En présence d'une charge suspendue (axes verticaux), si le frein d'arrêt moteur est desserré et si la servocommande ne fournit plus de puissance, la charge peut tomber ! Risque de blessure pour les opérateurs de la machine.

Pour les axes verticaux, la sécurité fonctionnelle ne peut être assurée qu'à l'aide d'un frein mécanique externe supplémentaire.

AVIS

Les freins de maintien sont dimensionnés comme freins d'arrêt et ne se prêtent pas à des procédures de freinage permanentes et opérationnelles. Un freinage fréquent peut entraîner une usure prématurée et une défaillance du frein de maintien.

La longueur du moteur augmente s'il y a un frein de maintien incorporé.

Les freins de maintien peuvent être commandés directement par les variateurs numériques (absence de sécurité pour les personnes !), la démagnétisation des enroulements de frein intervient alors dans le variateur: un circuit de protection supplémentaire n'est pas nécessaire. Si le frein de maintien n'est pas commandé directement par le variateur, un circuit de protection supplémentaire (par exemple, un varistor) doit être mis en place. Consultez à ce sujet notre département des applications.

5.4.13 Ventilateur pour AKM7

Un kit de ventilation extérieure est disponible pour le modèle AKM7. Le ventilateur intégré permet d'augmenter jusqu'à 30 % la puissance des moteurs AKM7. Le kit est livré avec une notice de montage du ventilateur.



Le boîtier de ventilateur peut uniquement être fixé à l'aide des équerres de fixation fournies et/ou avec les entretoises également fournies. Le choix de la méthode de fixation dépend de l'application. En cas de fortes vibrations, utilisez les équerres et les entretoises pour plus de sécurité. Les moteurs avec frein intégré nécessitent les entretoises longues.

AVIS

Veillez à ne pas obstruer l'arrivée d'air au niveau de la grille du ventilateur et gardez un espace libre d'au moins 25 mm derrière la grille du ventilateur. En raison de la convection forcée, les moteurs s'encrassent plus fortement. La présence de dépôts de saletés entraîne une diminution de la puissance de refroidissement et peut nuire aux moteurs. Les dépôts de poussières peuvent s'enflammer en cas de surchauffe. Nettoyez donc régulièrement le conduit d'air, le ventilateur et les moteurs.

Le montage d'un ventilateur augmente les cotes de montage des moteurs AKM7.

En cas de moteurs AKM7 avec option de connecteur "C", la bobinage "Q" et ventilation forcée vous devez limiter le courant du moteur à 23,5 A pour la protection du connecteur.

Pour les données techniques des moteurs AKM7 équipés d'un ventilateur, voir (→ # 181).

Pour le schéma dimensionnel des moteurs AKM7 équipés d'un ventilateur, voir (→ # 195).

5.4.14.2 Washdown Food

AKM ^{AAA} - ^{AAAA} - ^A F	Washdown Food sans revêtement de bride
AKM ^{AAA} - ^W ^{AAAA} - ^A F	Washdown Food avec revêtement de la bride A IEC

INFORMATION

La surface des moteurs Washdown Food respecte tous les tests de l'institut FDA GlobalMigration pour un contact indirect avec des denrées alimentaires. Un contact direct avec les denrées alimentaires non emballées n'est pas autorisé.

Domaines d'application:	Industrie agroalimentaire, sans contact direct avec des denrées non emballées
Exemple:	Coupe, emballage et remplissage sans contact direct avec les denrées alimentaires, moteur situé à côté ou sous les denrées.
Normes:	UL, CE, RohS, FDA
Surface:	Revêtement blanc
Résistance :	Aux détergents testés (→ # 129), résistance à la corrosion
Global Migration:	US FDA Regulations 21 CFR 175.300, Condition of Use E
Indice de protection:	IP67
Arbre :	Acier inoxydable
Bague d'étanchéité de l'arbre:	PTFE conformément aux directives de l'institut FDA.
Lubrifiant:	Apte à l'utilisation avec des denrées alimentaires conformément aux directives de l'institut FDA.
Fiches :	Acier inoxydable, surface lisse
Vis :	Acier inoxydable, surface lisse
Plaque signalétique:	Gravée. Une plaque signalétique supplémentaire est jointe à chaque unité de conditionnement.
Dimensions:	AKM2 - AKM6

5.4.14.3 Propriétés contrôlées et confirmées par rapport aux produits de nettoyage

La résistance des surfaces Washdown et Washdown Food contre les nettoyants industriels suivants a été contrôlée dans le laboratoire d'ECOLAB Deutschland GmbH:

- P3-topactive DES
- P3-topactive LA
- P3-topax 56
- P3-topax 66
- P3-topax 91

À cet effet, les surfaces ont été plongées pendant 28 jours à température ambiante dans chaque produit de nettoyage. Cela correspond à environ 2 500 cycles de nettoyage avec un contact de 15 minutes avec le produit de nettoyage ou de 1 500 cycles de nettoyage suivis d'une désinfection.

Vous trouverez les certificats dans notre WIKI Produit, en page [Approvals](#).

AVIS

Kollmorgen ne peut garantir la durée de vie des moteurs qu'en cas d'utilisation des détergents testés. Les détergents différents de ceux cités ci-dessus peuvent être testés et éventuellement autorisés par Kollmorgen sur demande.

5.4.14.4 Conditions de montage et d'utilisation

- Les moteurs ne doivent être utilisés que dans des températures ambiantes n'excédant pas 50°C.
- La classe de tolérance N n'est pas garantie si la bride avant est revêtue.

AVIS

Pour les moteurs à brides sans revêtement étanche, la surface de la bride doit être montée de manière à être à l'abri des détergents.

AVIS

Lors de l'installation et le fonctionnement protéger le moteur contre des influences mécaniques qui peuvent provoquer des rayures ou des fissures sur les surfaces peintes. Une mauvaise manipulation augmente le risque de corrosion.

5.4.14.5 Plan de nettoyage

Plan de nettoyage recommandé (abrégé) avec les produits de nettoyage testés:

Rinçage à l'eau (40 °... 50 °C)

Rinçage à basse pression. Du haut vers le bas dans le sens de l'écoulement. Nettoyer l'écoulement.

Nettoyage à la mousse

Mousser du haut vers le bas.

Alcalin:	P3-topactive LA ou P3-topax 66 (2-5%, quotidien 15 min)
Acide:	P3-topax 56 (2%, si nécessaire 15 min)
Température:	froid jusqu'à 40°C

Désinfection

Pulvérisation à l'eau (40°... 50°C) à basse pression. Du haut vers le bas.

Désinfection par pulvérisation	P3-topax 91 (1-2%, si nécessaire 30-60 min)
Désinfection à la mousse:	P3-topactiv DES (1-3%, si nécessaire 10-30 min)

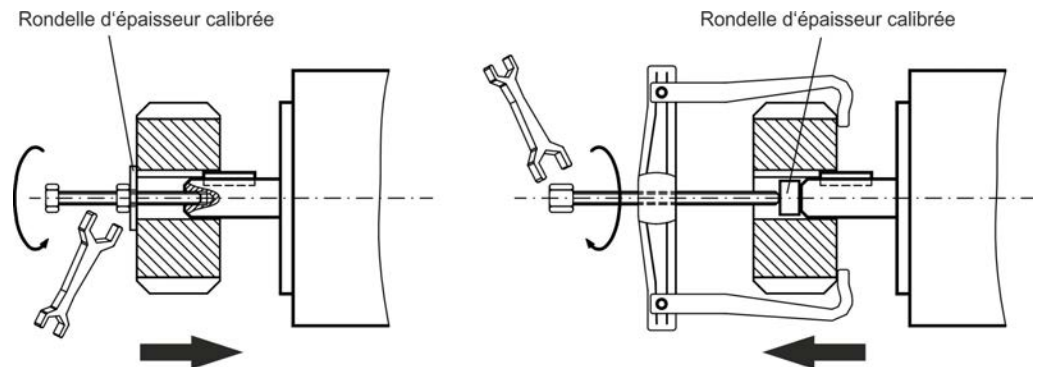
5.5 Installation mécanique

INFORMATION Des schémas de dimension peuvent être trouvés en page (→ # 186).

5.5.1 Remarques importantes

INFORMATION Seuls des spécialistes ayant des connaissances en mécanique doivent monter le moteur.

- Protégez les moteurs contre une sollicitation inadmissible. Lors du transport et de la maintenance, il ne doit pas être endommagé les composants.
- Le lieu d'installation doit être exempt de matériaux conducteurs et agressifs. En cas de montage V3 (bout d'arbre vers le haut), veillez à ce qu'aucun liquide ne puisse pénétrer dans les paliers. Pour une structure cuirassée, consultez d'abord notre département des applications.
- Vérifiez que les moteurs disposent d'une ventilation sans encombre et respectez les températures ambiante et de bride admissibles. Pour des températures ambiantes supérieures à 40 °C, consultez d'abord notre département des applications.
- La bride et l'arbre sont particulièrement menacés par le stockage et l'installation : évitez de ce fait l'utilisation de la force brute, la précision exige du doigté. Pour l'extraction des accouplements, roues dentées ou poulies, utilisez impérativement le raccord fileté de l'arbre du moteur et réchauffez les éléments de sortie dans la mesure du possible. Les coups ou la violence endommageraient les roulements à billes et l'arbre.



- Dans la mesure du possible, n'utilisez que des pinces de serrage ou des accouplements sans jeu et sans frottement. Veillez à l'alignement correct de l'accouplement. Une position désaxée entraîne des vibrations inadmissibles et la destruction des roulements à billes et de l'accouplement.
- Évitez dans tous les cas un placement mécaniquement hyperstatique des paliers de l'arbre du moteur en utilisant un accouplement rigide et des paliers supplémentaires externes (par exemple dans le réducteur).
- Respectez le nombre de pôles du moteur et du résolveur et configurez impérativement le nombre de pôles correct pour les variateurs numériques utilisés. Une mauvaise configuration peut entraîner la destruction des petits moteurs, en particulier.
- Évitez autant que possible une charge axiale de l'arbre du moteur. Une charge axiale raccourcit considérablement la durée de vie du moteur.
- Vérifiez le respect des charges radiale et axiale admissibles F_R et F_A .
Si vous utilisez un entraînement à courroie dentée, le diamètre minimal admissible du pignon s'obtient par l'équation : $d_{\min} \geq (M_0/F_R) \cdot 2$

5.6 Installation électrique

INFORMATION

Des informations concernant les connexions peuvent être trouvées en chapitre "Affectation des connecteurs" de (→ # 186). Pour le brochage du côté variateur, reportez-vous au mode d'emploi de ce dernier.

5.6.1 Remarques Importantes

INFORMATION

Seuls des spécialistes ayant une formation en électrotechnique doivent câbler le moteur.



DANGER

Montez et câblez toujours les moteurs dans l'état hors tension, c'est-à-dire qu'aucune des tensions de service d'un appareil à connecter ne doit être raccordée.

Veillez à un isolement sécurisé de l'armoire électrique (verrouillage, signaux de danger, etc.).



Il existe un risque de mort ou de blessures graves si vous touchez les contacts exposés. Veillez à un isolement sécurisé de l'armoire électrique (verrouillage, signaux de danger, etc.). Ce n'est que lors de la mise en service que les tensions individuelles sont raccordées.

Ne débranchez jamais les connexions électriques des moteurs sous tension. Risque de choc électrique! Dans des cas défavorables, des arcs électriques peuvent se former et causer des dommages aux personnes et aux contacts.

Des charges résiduelles dans les condensateurs de l'amplificateur jusqu'à 10 minutes après la coupure du réseau avec les niveaux dangereux. Les connexions de commande et de puissance peuvent véhiculer la tension même quand le moteur ne tourne pas.

Mesurez la tension du circuit intermédiaire et attendez qu'elle soit descendue au-dessous de 60 V.

INFORMATION

Le symbole de masse , que vous trouverez dans tous les schémas de connexion, indique que vous devez établir une connexion électriquement conductrice et d'aussi grande surface que possible entre l'appareil identifié et la plaque de montage de votre armoire électrique. Cette connexion doit permettre l'évacuation des perturbations de haute fréquence et ne doit pas être confondue avec le symbole de terre de protection PE  (mesure de protection selon EN 60204).

Respectez également les remarques des schémas de connexion des instructions d'installation et de mise en service du variateur utilisé.

5.6.2 Guide d'installation électrique

- Vérifier l'affectation du variateur et du moteur. Comparez les tensions nominales et les courants nominaux des appareils. Effectuez le câblage d'après le schéma de connexion des instructions d'installation et de mise en service du variateur. L'information de connexion peuvent être trouvés en "Affectation des connecteurs" de (→ # 186).
- Tous les câbles de courant fort doivent avoir une section suffisante selon EN 60204. Vous trouverez les diamètres recommandés dans les données techniques.

INFORMATION

En cas de câbles de moteur de plus de 25m et selon de type de variateur utilisé une bobine de moteur (3YL ou 3YLN) doit être commutée dans le câble de moteur (voir le manuel de produit de variateur numérique et le manuel des accessoires).

- Veillez à la parfaite mise à la terre du variateur et du moteur. Blindage et mise à la terre conformes CEM : voir les instructions d'installation du variateur utilisé. Mettez à la terre la plaque de montage et le boîtier du moteur.
- Si vous utilisez un câble de puissance moteur avec des fils de commande du
- frein intégrés, les fils de commande du frein doivent être blindés. Le blindage doit être posé des deux côtés (voir les instructions d'installation du variateur).
- Câblage:
 - Posez les câbles de puissance et de commande aussi loin les uns des autres
 - Raccordez le résolveur ou le codeur.
 - Raccordez les câbles moteur, l'inductance moteur près de variateur.
 - Les tresses de blindage des deux côtés sur les pinces de blindage ou les connecteurs CEM.
 - Raccordez le frein de maintien du moteur s'il est présent.
 - Posez la tresse de blindage des deux côtés
- Posez les tresses de blindage en grande surface (basse impédance) sur les boîtiers de connecteurs métallisés ou les presse-étoupe conformes CEM.
- Conditions de la matériel des câbles:

Capacité
 Câble de puissance: inférieure à 150 pF/m
 Câble de rétroaction: inférieure à 120 pF/m

5.6.3 Raccordement des moteurs avec câblage prééquipés

- Effectuez le câblage selon les règlements et normes en vigueur.
- Pour les connexions de puissance et de retour, utilisez exclusivement câbles prééquipés et blindés de Kollmorgen.
- La pose incorrecte des tresses de blindage amène inévitablement à des perturbations de CEM et affecter les performances du système.
- Longueur des câbles max.: voir manuel d'installation du variateur.

INFORMATION

Vous trouverez les données techniques des câbles dans le manuel des accessoires.

5.7 Mise en service

5.7.1 Remarques importantes

INFORMATION

Seuls des spécialistes ayant des connaissances étendues dans les domaines de l'électrotechnique / des systèmes d'entraînement doivent mettre en service l'unité d'entraînement variateur / moteur.



DANGER

Des tensions mortelles atteignant 900 V entrent en jeu. Risque de choc électrique! Vérifiez si tous les éléments de connexion sous tension sont protégés de façon sécurisée contre les contacts.

Ne débranchez jamais les connexions électriques des moteurs sous tension. Risque de choc électrique! Des charges résiduelles dans les condensateurs de l'amplificateur jusqu'à 10 minutes après la coupure du réseau avec les niveaux dangereux.

Les connexions de commande et de puissance peuvent véhiculer la tension même quand le moteur ne tourne pas. Mesurez la tension du circuit intermédiaire et attendez qu'elle soit descendue au-dessous de 60 V.



ATTENTION

La température de surface du moteur peut dépasser 100 °C en exploitation. Risque de brûlures! Contrôlez (mesurez) la température du moteur. Attendez que le moteur se soit refroidi à 40 °C avant de le toucher.



ATTENTION

Pendant la mise en service, il est possible que l'entraînement se mette en mouvement de manière imprévue.

Assurez-vous qu'aucun risque pour les objets ou les personnes ne peut survenir, même en cas de mouvement involontaire de l'entraînement.

Les mesures de protection à prendre dans votre application découlent de l'évaluation des risques de l'application.

5.7.2 Guide de mise en service

La procédure de mise en service est décrite à titre d'exemple. Selon l'utilisation des appareils, une autre procédure peut également être raisonnable ou obligatoire.

1. Vérifiez le montage et l'alignement du moteur.
2. Vérifiez que les éléments de sortie (accouplement, réducteur, poulie) sont bien calés et correctement réglés (respectez les forces radiale et axiale admissibles).
3. Vérifiez le câblage et les raccordements au moteur et au variateur. Veillez à une mise à la terre correcte.
4. Vérifiez le fonctionnement du frein de maintien s'il est présent (appliquez 24 V, le frein doit se desserrer).
5. Vérifiez si le rotor du moteur se laisse tourner librement (desserrez au préalable le frein éventuellement présent). Faites attention aux bruits de frottement.
6. Vérifiez si toutes les mesures obligatoires de protection contre les contacts des pièces mobiles sous tension ont été prises.
7. Exécutez les autres vérifications spécifiques et nécessaires pour votre installation.
8. Mettez alors en service le moteur conformément aux indications de mise en service du variateur.
9. Pour les systèmes multi-axes, mettez en service individuellement chaque unité d'entraînement variateur / moteur

5.7.3 Dépannage

Comprenez le tableau suivant comme une "trousse de premiers secours". Selon les conditions de votre installation, des causes multiples peuvent être à l'origine de la perturbation constatée. On décrit ici principalement les causes de défauts qui affectent directement le moteur. Les particularités affectant le comportement régulier sont en général provoquées par un mauvais paramétrage du variateur. Informez-vous à ce sujet dans la documentation du variateur et du logiciel de dialogue.

Pour les systèmes multi-axes, d'autres causes d'erreurs cachées peuvent se présenter.

Défaut	Causes de défauts possibles	Mesures de correction des causes de défauts
Le moteur ne tourne pas	<ul style="list-style-type: none"> — Le variateur n'est pas activé — Le câble de valeur de consignes interrompu — Les phases du moteur sont permutées — Le frein n'est pas desserré — Le moteur est bloqué mécaniquement 	<ul style="list-style-type: none"> — Appliquer le signal ENABLE — Vérifier le câble de valeur de consigne — Raccorder correctement les phases du moteur — Vérifier l'excitation du frein — Vérifier la mécanique
Le moteur s'emballé	<ul style="list-style-type: none"> — Les phases du moteur sont permutées 	<ul style="list-style-type: none"> — Raccorder correctement les phases du moteur
Le moteur vibre	<ul style="list-style-type: none"> — La tresse de blindage du câble résolveur est interrompue — L'amplification est trop forte 	<ul style="list-style-type: none"> — Remplacer le câble du résolveur — Utiliser les valeurs par défaut du moteur
Message d'erreur Frein	<ul style="list-style-type: none"> — Court-circuit dans le câble d'alimentation de tension du frein de maintien du moteur — Frein de maintien du moteur défectueux 	<ul style="list-style-type: none"> — Éliminer le court-circuit — Changer le moteur
Message d'erreur Défaut étape finale	<ul style="list-style-type: none"> — Le câble moteur présente un court-circuit ou une terre accidentelle — Le moteur présente un court-circuit ou une terre accidentelle 	<ul style="list-style-type: none"> — Changer le câble — Changer le moteur
Message d'erreur Résolveur	<ul style="list-style-type: none"> — Le connecteur du résolveur n'est pas mis correctement — Le câble du résolveur est interrompu, pincé ou autre 	<ul style="list-style-type: none"> — Vérifier les connecteurs — Vérifier les câbles
Message d'erreur Température du moteur	<ul style="list-style-type: none"> — Le thermo-senseur du moteur s'est déclenché — Le connecteur du résolveur est détaché ou le câble du résolveur est interrompu 	<ul style="list-style-type: none"> — Attendre que le moteur soit refroidi. Vérifier alors pourquoi le moteur chauffe tellement. — Vérifier le connecteur, installe éventuellement un nouveau câble résolveur.
Le frein "n'accroche pas"	<ul style="list-style-type: none"> — Le couple de maintien demandé est trop élevé — Le frein est défectueux — L'arbre du moteur a une surcharge axiale 	<ul style="list-style-type: none"> — Vérifier le dimensionnement — Changer le moteur — Vérifier la charge axiale et la réduire. Changer le moteur, car les paliers sont endommagés

5.8 Définitions des concepts de données techniques

INFORMATION

Pour les données techniques du moteur, reportez-vous au chapitre "Données techniques" (→ # 167).

Toutes les indications avec 40°C température ambiante et 100K température excessive de bobine. Détermination des dates nominales avec la température constante de la bride d'adaptateur de 65°C. Les données peuvent avoir une tolérance +/- 10%.

Couple d'arrêt M_0 [Nm]

Le couple d'arrêt peut être délivré pour une durée illimitée pour une vitesse $n < 100$ tr/min et des conditions d'environnement nominales.

Couple nominal M_n [Nm]

Le couple nominal est délivré quand le moteur absorbe le courant nominal pour la vitesse nominale. Le couple nominal peut être délivré pour une durée illimitée en régime permanent (S1) pour la vitesse nominale.

Courant d'arrêt $I_{0\text{eff}}$ [A]

Le courant d'arrêt est la valeur de courant efficace sinusoïdal absorbée par $0 < n < 100$ tr/min pour pouvoir délivrer le couple d'arrêt.

Courant de crête (courant pulsé) $I_{0\text{max}}$ [A]

Le courant de crête (valeur efficace sinusoïdale) est plusieurs fois le courant d'arrêt selon le moteur. Le courant de crête de l'amplificateur d'asservissement utilisé doit être inférieur.

Constante de couple $K_{T\text{eff}}$ [Nm/A]

La constante de couple donne le couple en Nm généré par le moteur avec un courant efficace sinusoïdal de 1 A. On applique la formule $M = I \times K_T$ (jusqu'à $I = 2 \times I_0$ au maximum).

Constante de tension $K_{E\text{eff}}$ [mVmin]

La constante de tension donne la force électromotrice induite du moteur rapportée à 1000 unités/min sous forme de valeur efficace sinusoïdale entre deux bornes. Mesurée à 25 ° C.

La constante J mesure la capacité d'accélération du moteur. Avec I_0 , on obtient par exemple le temps d'accélération t_b de 0 à 3000 tr/min par :

$$t_b \left[s \right] = \frac{3000 \cdot 2\pi}{M_0 \cdot 60s} \cdot \frac{m^2}{10^4 \cdot cm^2} \cdot J \quad \text{avec } M_0 \text{ en Nm et } J \text{ en } kgcm^2$$

Constante de temps thermique t_{th} [min]

La constante t_{th} donne le temps d'échauffement du moteur froid en charge avec I_0 jusqu'à ce qu'il atteigne une surchauffe de $0,63 \times 105$ Kelvin.

En charge avec le courant de crête, l'échauffement a lieu en un temps bien plus court.

Temps de desserrage du frein t_{BRH} [ms] / Temps d'application du frein t_{BRL} [ms]

Les constantes donnent les temps de réaction du frein de maintien en exploitation avec la tension nominale à l'amplificateur d'asservissement.

U_N

Tension nominale secteur

U_n

Tension circuit intermédiaire. $U_n = \sqrt{2} \cdot U_N$

-/-

6 Русский

6.1 Общие сведения	140
6.1.1 Об этом руководстве	140
6.1.2 Используемые сокращения	140
6.1.3 Используемые символы	140
6.2 Безопасность	141
6.2.1 Примите к сведению следующую информацию	141
6.2.2 Применение по назначению	143
6.2.3 Применение не по назначению	143
6.2.4 Обслуживание	144
6.3 Идентификация продукта	146
6.3.1 Комплект поставки	146
6.3.2 Заводская табличка	146
6.3.3 Расшифровка типовых обозначений	147
6.4 Техническое описание	151
6.4.1 Общие технические данные	151
6.4.2 Конструктивное исполнение	151
6.4.3 Фланец	151
6.4.4 Степень защиты	151
6.4.5 Класс изоляции	152
6.4.6 Покрытие	152
6.4.7 Приводной конец вала	152
6.4.8 Устройство защиты	152
6.4.9 Уровень вибрации	153
6.4.10 Сальник вала	153
6.4.11 Способы подключения	154
6.4.12 Стояночный тормоз	155
6.4.13 Вентилятор для АКМ7	155
6.4.14 Исполнение Washdown и Washdown Food	156
6.5 Механический монтаж	159
6.5.1 Важные указания	159
6.6 Электрический монтаж	160
6.6.1 Важные указания	160
6.6.2 Инструкции по электромонтажу	161
6.6.3 Подключение двигателей при помощи фабрично подготовленных кабелей	161
6.7 Ввод в эксплуатацию	162
6.7.1 Важные указания	162
6.7.2 Инструкции по вводу в эксплуатацию	163
6.7.3 Устранение неисправностей	164
6.8 Определения терминов по Технические данные	165

6.1 Общие сведения

6.1.1 Об этом руководстве

В данном руководстве описываются серводвигатели серии АКМ (стандартной конструкции). Эти двигатели используются в системе привода вместе с сервоусилителями Kollmorgen. Поэтому примите во внимание всю документацию для системы, состоящую из:

- Руководство по эксплуатации сервоусилителя
- Руководство по полевой шине (например CANopen или EtherCAT)
- Интерактивная справка к программному обеспечению для ввода сервоусилителя в эксплуатацию
- Руководство по вспомогательному оборудованию
- Техническое описание серии двигателей АКМ (данное руководство)

Более подробную информацию вы сможете найти в нашем онлайн-справочнике «Produkt-WIKI», по ссылке www.wiki-kollmorgen.eu.

6.1.2 Используемые сокращения

Использованные в технических данных сокращения см. в разделе «Определения терминов» (→ # 165).

Условное обозначение (→ # 53) в данном документе означает «см. страницу 53».

6.1.3 Используемые символы

Symbol	Значение
 ОПАСНО	Указывает на опасную ситуацию, которая приведет к смерти или тяжелым и неизлечимым травмам, если ее не предотвратить.
 ВНИМАНИЕ	Указывает на опасную ситуацию, которая может привести к смерти или тяжелым и неизлечимым травмам, если ее не предотвратить.
 ОСТОРОЖНО	Указывает на опасную ситуацию, которая может привести к легким травмам, если ее не предотвратить.
УКАЗАНИЕ	Не является условным обозначением, относящимся к обеспечению безопасности. Указывает на ситуацию, которая может привести к материальному ущербу, если ее не предотвратить.
INFO	Не является условным обозначением, относящимся к обеспечению безопасности. Данное условное обозначение указывает на важную информацию.
	Внимание! Опасность (прочие опасности). Характер опасности указывается в сопровождающем тексте предупреждения.
	Опасность поражения электрическим током.
	Осторожно. Горячая поверхность.
	Предупреждение о подвешенного груза.

6.2 Безопасность

Эта глава поможет Вам распознать и предотвратить опасности.

6.2.1 Примите к сведению следующую информацию

Привлеките квалифицированных специалистов!

Работы по транспортировке, монтажу, вводу в эксплуатацию и техническому обслуживанию могут проводиться только квалифицированными специалистами. Специалисты должны знать и соблюдать следующие стандарты или директивы:

- Транспортировка: только персоналом, обладающим знаниями по обращению с элементами, чувствительными к электростатическому воздействию
- Распаковка: только специалистами с электротехническим образованием
- Монтаж: только специалистами с электротехническим образованием
- Ввод в эксплуатацию: только специалистами с обширными знаниями в области электротехники / приводной техники

Обученный персонал должен знать и соблюдать следующие стандарты:

EN 60364 и EN 60664, национальные предписания по предотвращению несчастных случаев.

Прочтите документацию!

Перед монтажом и вводом в эксплуатацию прочитайте данную документацию.

Неправильное обращение с двигателем может привести к травмам людей или материальному ущербу. Эксплуатирующее предприятие должно гарантировать, что все лица, которым доверено работать с двигателем, прочли и поняли руководство по эксплуатации продукта, а также обеспечить соблюдение указаний по безопасности, содержащихся в данном руководстве.

Учитите технические данные!

Обязательно учитывайте технические данные и рекомендации по монтажу (заводская табличка и документация). При превышении указанных значений тока и напряжения двигатели могут выйти из строя, например из-за перегрева.

Проанализируйте опасные ситуации!

Изготовитель машины должен провести анализ опасных ситуаций и принять соответствующие меры, чтобы непредвиденные движения не могли привести к травмам людей или материальному ущербу. Исходя из анализа опасных ситуаций возможны дополнительные требования к обслуживающему персоналу.

При транспортировке соблюдать меры предосторожности!

Двигатели тяжелее 20 кг (AKM7 и AKM8) поднимайте и перемещайте только с помощью подъемных устройств. Поднятие без вспомогательных средств может привести к повреждениям спины. Соблюдайте указания на (→ # 144)

Зафиксируйте шпонку вала!

Удалите или зафиксируйте шпонку вала (при ее наличии), если двигатель работает на холостом ходу, чтобы избежать выброса шпонки и связанных с этим повреждений. При отгрузке двигателя шпонка зафиксирована пластмассовым колпачком.

Горячая поверхность!

Во время эксплуатации поверхность серводвигателей в соответствии с их степенью защиты может быть горячей. Опасность ожога! Температура поверхностей может превышать 100°C. Измерьте температуру и подождите, пока двигатель не остынет до 40°C, прежде чем дотрагиваться до него.





Заземление / Высокое напряжение!

Обязательно обеспечьте надлежащее заземление корпуса двигателя с помощью заземляющей шины в распределительном шкафу в качестве опорного потенциала. Опасность удара электрическим током. Без низкоомного заземления безопасность людей не гарантирована.

Во время эксплуатации приборов дверь электрического шкафа должна быть закрыта. Отсутствие оптической индикации не гарантирует отключения приборов от напряжения. Силовые контакты могут быть под напряжением даже если вал двигателя не вращается.

Никогда не отсоединяйте электрические контакты двигателя под напряжением. При неблагоприятных обстоятельствах существует опасность для людей и возможность повреждения контактов из-за возникновения электрической дуги.

После отключения сервоусилителя от питающего напряжения подождите несколько минут, прежде чем дотрагиваться до токоведущих деталей (например, контактов, винтов) или отвинчивать присоединительные элементы. Конденсаторы в сервоусилителе находятся под опасным напряжением еще в течение нескольких минут после отключения питающего напряжения. Для надежности измерьте напряжение звена постоянного тока и подождите, пока напряжение не опустится ниже 60 В.



Подвешенный груз фиксировать!

Встроенный стояночный тормоз не является безопасным для персонала. В особенности в случае висящих грузов (вертикальные оси) безопасность персонала обеспечивается только при использовании дополнительного внешнего механического тормоза.

6.2.2 Применение по назначению

- Синхронные серводвигатели серии АКМ в первую очередь рассчитаны для использования в качестве привода для манипуляторов, текстильных и инструментальных станков, упаковочных машин и подобного оборудования с высокими требованиями к динамике. Двигатели монтируются в качестве конструктивных элементов в электрические установки или машины и могут вводиться в эксплуатацию только как встроенные элементы установки.
- Двигатели можно использовать только с учетом определенных в этой документации условий окружающей среды.
- Эксплуатация двигателей в исполнении **Washdown** в средах с едкими кислотами и щелочами допускается при соблюдении условий, на (→ # 156).
- Эксплуатация двигателей в исполнении **Washdown Food** допускается в установках с опосредованным контактом с пищевыми продуктами.
- Двигатели серии АКМ предназначены исключительно для работы от сервоусилителей с регулированием частоты вращения и/или вращающего момента.
- Встроенный в термодатчик должен быть подключен и его сигналы обработаны.
- Встроенные стояночные тормоза сконструированы для блокировки в состоянии покоя и не подходят для постоянных торможений во время эксплуатации.
- Мы гарантируем соответствие сервосистемы стандартам, названным в "Заявлении о соответствии стандартам ЕС", только если используются поставленные нами компоненты (сервоусилитель, двигатель, кабели и т.д.).

6.2.3 Применение не по назначению

- Эксплуатация двигателей в **стандартном** исполнении запрещена:
 - - с питанием непосредственно от электросети;
 - - во взрывоопасных средах;
 - - в контакте с пищевыми продуктами;
 - - в средах с едкими и/или проводящими кислотами, щелочами, маслами, парами, пылью.
- Эксплуатация двигателей в исполнении **Washdown** запрещена:
 - - с питанием непосредственно от электросети;
 - - во взрывоопасных средах;
 - - в контакте с пищевыми продуктами;
 - - в средах с кислотами или щелочами с величиной pH менее 2 или более 12;
 - - в средах с кислотами или щелочами, не тестированных в Kollmorgen
- Эксплуатация двигателей в исполнении **Washdown Food** запрещена:
 - - с питанием непосредственно от электросети;
 - - во взрывоопасных средах;
 - - в прямом контакте с пищевыми продуктами;
- Эксплуатация двигателя в соответствии с назначением невозможна, если машина, в которую он встроена,
 - - не соответствует условиям Директивы ЕС о машинах
 - - не выполняет условия Директивы об электромагнитной совместимости
 - - не выполняет условия Директивы о низковольтном оборудовании
 - - не разрешается использование встроенных стояночных тормозов, если требуется обеспечить безопасность персонала.
- Использование встроенных стояночных тормозов в качестве единственной меры для обеспечения безопасности персонала запрещается.

6.2.4 Обслуживание

6.2.4.1 Транспортировка

- Климатические условия в соответствии с to EN61800-2, IEC 60721-3-2, класс 2K3
- Температура при транспортировке: -25..+70°C, макс. колебания 20 градусов в час
Относительная влажность воздуха при транспортировке: 5% - 95% без конденсации
- Транспортировка должна проводиться только квалифицированным персоналом и в оригинальной упаковке изготовителя, подлежащей вторичной переработке
- Избегайте ударов, особенно по концу вала
- В случае поврежденной упаковки обследуйте двигатель на наличие видимых повреждений. Проинформируйте транспортную фирму и, при необходимости, изготовителя.

Транспортировка двигателей массой более 20 кг

Для безопасной транспортировки используйте прилагаемые рым-болты. Примите к сведению указания по транспортировке, приложенные к двигателю.

В качестве принадлежности для транспортировки двигателей АКМ7 и АКМ8 (>20kg) мы рекомендуем использование устройства ZPMZ 120/292. Оно состоит из перекладины, которая подвешивается на крюк крана, и двух двойных цепей.

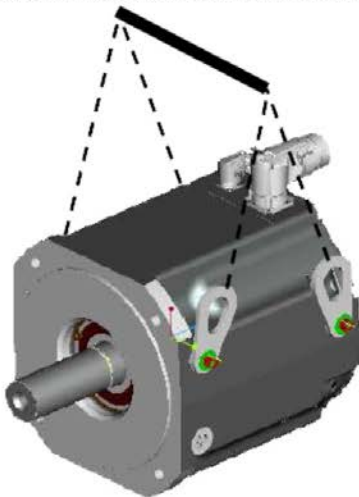


ОПАСНО

Подвешенный груз. Смертельная опасность при падении груза. При подъеме груза стоять под ним запрещается!

- Рым-болты должны быть вкручены полностью.
- Рым-болты должны прилегать к опорной площади большой поверхностью.
- Перед использованием рым-болтов проверьте их на прочность посадки и отсутствие видимых повреждений (ржавчина, деформация).
- Использование деформированных или ржавых рым-болтов запрещается.

B1/ 4 x LIFTING BOLT PLUS LIFTING BEAM



B2/ 2 x LIFTING BOLT PLUS LIFTING BEAM



B3/ 2 x LIFTING BOLT PLUS LIFTING BEAM



6.2.4.2 Упаковка

- Картонная коробка с пенными вкладышами Instapak®
- Пластмассовые части вы можете вернуть поставщику (см. "Утилизация")

Тип двигателя	Упаковка	макс. высота штабелирования	Тип двигателя	Упаковка	макс. высота штабелирования
AKM1	Коробка	10	AKM5	Коробка	5
AKM2	Коробка	10	AKM6	Коробка	1
AKM3	Коробка	6	AKM7	Коробка	1
AKM4	Коробка	6	AKM8	паллета	1

6.2.4.3 Хранение на складе

- Климатические условия в соответствии с EN61800-2, IEC 60721-3-2, класс 1K4
- Температура на складе -25..+55°C, макс. колебания 20 градусов в час
- Относительная влажность воздуха 5% - 95% без конденсации
- Хранить на складе только в оригинальной упаковке изготовителя
- Макс. высота штабелирования: см. таблицу "Упаковка"
- Длительность хранения: без ограничений

6.2.4.4 Техническое обслуживание / чистка

- Техобслуживание и чистка проводятся только квалифицированным персоналом
- После 20000 часов работы при номинальных условиях подшипник должен быть заменен (изготовителем).
- Каждые 2500 рабочих часов или же раз в год проверяйте серводвигатель на наличие шумов в подшипнике. Если вы установили наличие шумов, продолжать эксплуатацию двигателя нельзя — подшипник должен быть заменен (изготовителем).
- Вскрытие двигателя означает потерю гарантии.
- Чистите корпус изопропанолом или подобным веществом, не окунайте и не обрызгивайте корпус.

6.2.4.5 Ремонт / Утилизация

Ремонт двигателей осуществляется изготовителем, вскрытие двигателя означает потерю гарантии. В соответствии с директивами WEEE-2002/96/EG об утилизации электрического и электронного оборудования мы принимаем обратно отработавшие устройства и специальное оборудование, если отправитель берет на себя расходы по транспортировке. Посылайте устройства по адресу:

KOLLMORGEN Europe GmbH
Pempelfurtstr. 1
D-40880 Ratingen

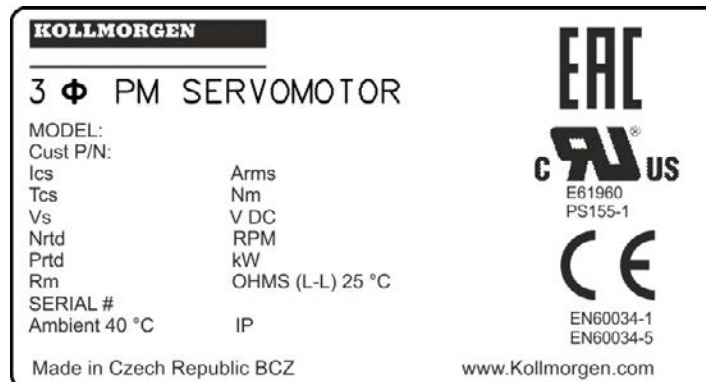
6.3 Идентификация продукта

6.3.1 Комплект поставки

- Серводвигатель серии АКМ
- Данное руководство по эксплуатации , один экземпляр на поставку

6.3.2 Заводская табличка

У двигателей в стандартном исполнении заводская табличка надёжно приклеена сбоку на корпусе. У двигателей в исполнении Washdown заводская табличка выгравирована сбоку на корпусе, к каждой упаковке прилагается дополнительная заводская табличка.

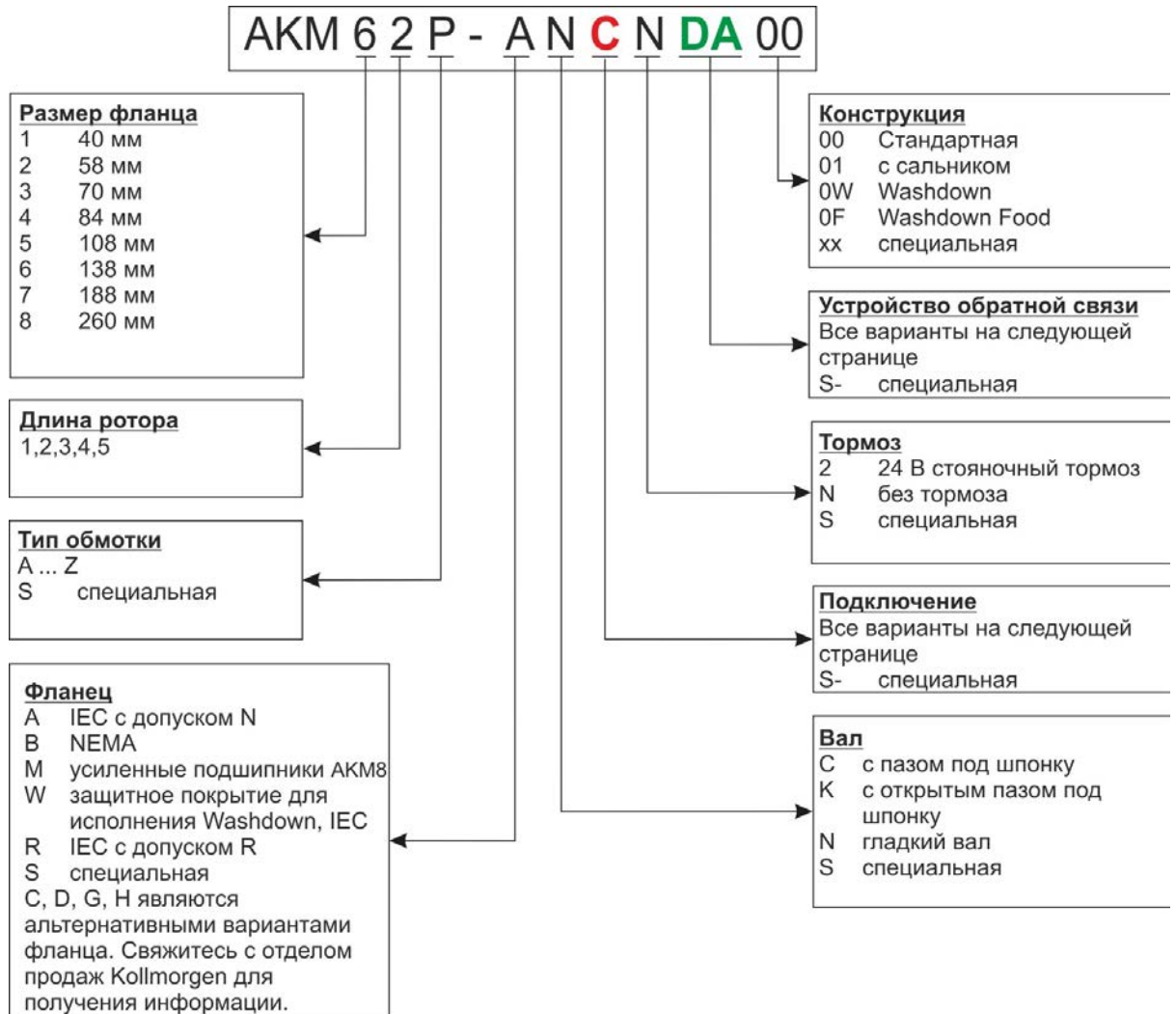


Обозначения:

MODEL	ип изделия
CUST P/N	инвентарный номер заказчика
Ics	I _{0ms} (пусковой ток)
Tcs	M ₀ (пусковой вращающий момент)
Vs	U _n (напряжение звена постоянного тока)
Nrtd	n _n (номинальная частота вращения при U _n)
Prtd	P _n (номинальная мощность)
Rm	R ₂₅ (сопротивление обмотки при 25°C)
SERIAL	Серийный номер
AMBIENT	Допустимая температура окружающей среды

Год выпуска двигателя зашифрован в первых двух цифрах серийного номера, напр. „14“ означает год выпуска 2014.

6.3.3 Расшифровка типовых обозначений



6.3.3.1 Варианты подключения (С)

Разводку контактов для этих вариантов Вы (→ # 200).

Техническое описание используется разъемы см Product Wiki ([Mating Connectors](#)).

Описание связи

Разъём	Использование*	Число конт. Силовой/Сиг- н.	макс. ток [А] Силовой/Сиг- н.	макс. сечение [мм ²] Силовой/Сиг- н.	Степень защиты	Похожие ответный разъем
M23 SpeedTec Ready (размер 1)	Силовой & тормоз	4 / 4	30 / 10	4 / 1.5	IP65	BSTA-108-NN-00-08-0036
	Feedback	- / 12	- / 10	- / 0.5	IP65	ASTA-021-NN-00-10-0035
	Feedback	- / 17	- / 9	- / 0.5	IP65	ASTA-035-NN-00-10-0035
	Гибридный*	4 / 4	30 / 10	4 / 1.5	IP65	BSTA-108-NN-00-08-0036
M40 (размер 1.5)	Силовой & тормоз	4 / 2	75 / 30	16 / 4	IP65	CSTA-263-NN-00-26-0001
M12	DRIVE-CLiQ	- / 8	- / 2	- / 0,5	IP65	Стандартный Siemens Drive-ClIQ кабель
M23-6	DRIVE-CLiQ	6 / -	30 / -	4 / -	IP65	
i-tec	Гибридный*	4 / 5	14 / 3.6	1.5 / 0.75	IP65	ESTB-202-NN-00-1110-0500
y-tec	Силовой & тормоз	4 / 5	14 / 3.6	1.5 / 0.75	IP65	ESTB-202-NN-00-31-0500
	Feedback	- / 12	- / 5	- / 0.75	IP65	ESTB-002-NN-00-31-0001
	Feedback	- / 15	- / 5	- / 0.75	IP65	ESTB-205-NN-00-31-0002
клеммная коробка	Силовой & тормоз	4 / 2	150 / 15	25 / 2.5	IP65	-

* Hybrid означает: Силовой и обратной (тормоз) связи о тот же разъем и кабель.

Ссылка подключение - двигателю

PTC*	КТУ 84- 130*	КТУ 83- 110*	Вид соединения	Используется для	Положение Разъём
B	1	3	2 разъёма SpeedTec Ready	AKM2	Угловых поворотных разъёма, на двигателе
C	7	-	2 разъёма SpeedTec Ready	AKM1-AKM2	На конце кабеля 0,5м
C	1	3	2 разъёма SpeedTec Ready	AKM3-AKM7 (≤23, 5A)	Угловых поворотных разъёма, на двигателе
D**	-	D**	1 разъём i-tec Hybrid	AKM1	На двигателе
D**	-	D**	1 разъём Hybrid SpeedTec Ready	AKM2-AKM6	Угловых поворотных разъёма, на двигателе
G	-	-	2 разъёма SpeedTec Ready	AKM2-AKM6	прямо, на двигателе
H	1	3	1 разъёма силовой M40, 1 разъёма датчика SpeedTec Ready	AKM7 & AKM82T	Угловых поворотных разъёма, на двигателе
-	R**	-	1 разъёма силовой M23-6, 1 разъёма датчика M12	AKM4-AKM7 (≤23, 5A)	на двигателе. M23-6 Угловых поворотных разъёма. M12 прямо.
T	2	4	1 клеммная коробка, 1 разъёма датчика SpeedTec Ready	AKM8	На двигателе
-	U**	-	1 разъёма силовой M23-6, 1 разъёма датчика M12	AKM4-AKM7 (≤23, 5A)	прямо, на двигателе
Y	1	3	1 разъём y-tec	AKM1	На двигателе

* Датчик температуры PTC или КТУ (→ # 152)

** С опцией разъем D, R, U типа датчика температуры зависит от обратной связи, см (→ # 150).

6.3.3.2 Датчик обратной связи (DA)

Длина двигателя зависит от типа встроенного датчика, см. чертежи на (→ # 186). Замена датчика в готовом двигателе невозможна. Разводку контактов для этих вариантов Вы найдете (→ # 200).

Техническое описание системы обратной связи см Product Wiki ([MultiFeedback](#)).

Описание обратной связи

Код	Обозначение	тип	Комментировать	Импульсов на оборот	Число оборотов	использовать только с
1-	Comcoder	EPC 15T	Однооборотный, оптический	1024	1	Все
2-	Comcoder		Однооборотный, оптический	2048	1	Все
AA	BiSS B	AD34/AD58	Однооборотный, оптический	2048	1	Все
AB	BiSS B	AD34/AD58	Многооборотный, оптический	2048	4096	Все
C-	SFD, 4 провода	Размер 10/15/21	Однооборотный, индуктивный	11bit	1	AKD
CA	SFD3, 2 провода	Размер 10/15/21	Однооборотный, индуктивный	11bit	1	AKD,S700
DA	EnDAT 2.1	ECN1113/1313	Однооборотный, оптический	512/2048*	1	Все
DB	EnDAT 2.1	EQN1125/1325	Многооборотный, оптический	512/2048*	4096	Все
LA	EnDAT 2.1	ECI1118/1319	Однооборотный, индуктивный	16/32**	1	Все
LB	EnDAT 2.1	EQI1130/1331	Многооборотный, индуктивный	16/32**	4096	Все
MA	DRIVE-CLiQ	ECN1324S	Безопасность, Однооборотный, оптический	24bit	1	Siemens
MB	DRIVE-CLiQ	EQN1336S	Безопасность, Многооборотный, оптический	24bit	4096	Siemens
GA	HIPERFACE	SKS36	Однооборотный, оптический	128	1	Sx
GB	HIPERFACE	SKM36	Многооборотный, оптический	128	4096	Sx
GC	HIPERFACE	SEK34	Однооборотный, емкостной	16	1	Sx
GD	HIPERFACE	SEL34	Многооборотный, емкостной	16	4096	Sx
GE	HIPERFACE DSL	EKS36	Однооборотный, оптический	18bit	1	AKD,S700
GF	HIPERFACE DSL	EKM36	Многооборотный, оптический	18bit + 12bit	4096	AKD,S700
GJ	HIPERFACE	SKS36	Однооборотный, оптический	128	1	AKD
GK	HIPERFACE	SKM36	Многооборотный, оптический	128	4096	AKD
GM	Safe HIPERFACE	SKS36S	Безопасность, аналог. GJ , SIL2, PLd, Cat.3	128***	1	AKD
GN	Safe HIPERFACE	SKM36S	Безопасность, аналог. GK , SIL2, PLd, Cat.3	128***	4096	AKD
GP	HIPERFACE	SEK34	Однооборотный, емкостной	16	1	AKD
GR	HIPERFACE	SEL34	Многооборотный, емкостной	16	4096	AKD
R-	Резольвер	Размер 10/15/21	Однооборотный, индуктивный	2 полюсный	1	Все

* x/y Данные для АКМ2-4/АКМ5-8

** x/y Данные для АКМ2-3/АКМ4-8

***Сертификаты для обратных безопасности: см Product-WIKI ([Approvals](#)) или Kollmorgen website.

Ссылка обратной связи-мотор

Код	Разъёма (PTC/КТУ83-110) Обратная связь	V/1	C/1	C/7 (Kabel)	D/D	G/-	H/1	-/R	T/2	-/U	Y/1
1-	Comcoder	2	3-7	1-2	-	2-6	7,82T	-	8	-	1
2-	Comcoder	2	3-7	1-2	-	2-6	7,82T	-	8	-	1
AA	BiSS B	2	3-7	2	-	2-6	7,82T	-	8	-	-
AB	BiSS B	2	3-7	2	-	2-6	7,82T	-	8	-	-
C-	SFD*	2	3-7	1-2	1-6 (PTC)	2-6	7,82T	-	8	-	1
CA	SFD3	-	-	-	1-6 (КТУ)	-	-	-	-	-	-
DA	EnDAT 2.1	2	3-7	2	-	2-6	7,82T	-	8	-	-
DB	EnDAT 2.1	2	3-7	2	-	2-6	7,82T	-	8	-	-
LA	EnDAT 2.1	2	3-7	2	-	2-6	7,82T	-	8	-	-
LB	EnDAT 2.1	2	3-7	2	-	2-6	7,82T	-	8	-	-
MA	DRIVE-CLiQ**	-	-	-	-	-	-	4-7	-	4-7	-
MB	DRIVE-CLiQ**	-	-	-	-	-	-	4-7	-	4-7	-
GA	Hiperface	2	3-7	2	-	2-6	7,82T	-	8	-	-
GB	Hiperface	2	3-7	2	-	2-6	7,82T	-	8	-	-
GC	Hiperface	-	-	1	-	-	-	-	-	-	1
GD	Hiperface	-	-	1	-	-	-	-	-	-	1
GE	Hiperface DSL	-	-	-	2-6 (КТУ)	-	-	-	-	-	-
GF	Hiperface DSL	-	-	-	2-6 (КТУ)	-	-	-	-	-	-
GJ	Hiperface	2	3-7	2	-	2-6	7,82T	-	8	-	-
GK	Hiperface	2	3-7	2	-	2-6	7,82T	-	8	-	-
GM	Safe Hiperface***	2	3-7	2	-	2-6	7,82T	-	8	-	-
GN	Safe Hiperface***	2	3-7	2	-	2-6	7,82T	-	8	-	-
GC	Hiperface	-	-	1	-	-	-	-	-	-	1
GD	Hiperface	-	-	1	-	-	-	-	-	-	1
R-	Резольвер	2	3-7	1-2	-	2-6	7,82T	-	8	-	1

* без тормоза

** Датчик температуры согласно текущим требованиям Siemens. Для получения дополнительной информации свяжитесь с Kollmorgen.

*** Только с датчиком температуры PTC

6.4 Техническое описание

6.4.1 Общие технические данные

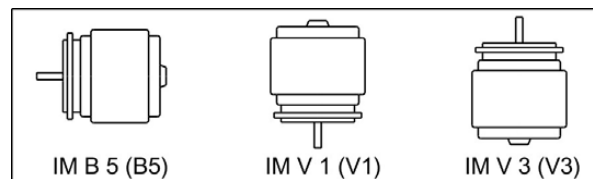
Температура окружающей среды (при номинальных данных)	5...+40°C при высоте установки до 1000 м над уровнем моря. Если температура окружающей среды превышает 40°C или если двигатель устанавливается герметично, проконсультируйтесь с нашим отделом автоматизации.
Допустимая влажность воздуха (при номинальных данных)	относительная влажность 95% без конденсации
Снижение мощности (ток и моменты)	1% при повышении температуры на 1 градус в диапазоне 40°C...50°C до 1000 м над ур. моря 6% при 2000 м над уровнем моря 17% при 3000 м над уровнем моря 30% при 4000 м над уровнем моря 55% при 5000 м над уровнем моря Снижения мощности не происходит при высоте установки более 1000 м над уровнем моря и уменьшении температуры 10 K / 1000 м
Срок службы шарикоподшипников	≥ 20.000 часов работы

INFO

Технические данные двигателей вы найдете со стр (→ # 167).

6.4.2 Конструктивное исполнение

В основе конструкции синхронных серводвигателей АКМ лежит конструктивное исполнение IM B5 согласно EN 60034-7.



6.4.3 Фланец

Фланец исполнение IEC: точность в соответствии с DIN 42955. Допуски вала расширения биением и монтажного фланца для вращающихся электрических машин.

Код	Фланец
A	IEC с точностью N, посадка АКМ1: h7, посадка АКМ2-8: j6
R	IEC с точностью R, посадка АКМ1: h7, посадка АКМ2-8: j6
M	IEC с точностью N, посадка j6, усиленные подшипники АКМ8
W	IEC, посадка j6, защитное покрытие для исполнения Washdown или Washdown Food
B	NEMA, Размеры могут быть найдены в <i>AKM Selection Guide</i> (Kollmorgen Website, US-English)

6.4.4 Степень защиты

Стандартная конструкция	Штекер	Сальник	Степень защиты
AKM1	C, D	без	IP40
AKM1	C, D	с	IP65
AKM2-AKM8	B, C, D, G, H, T	без	IP54
AKM8	H, T	без	IP52

Стандартная конструкция	Штекер	Сальник	Степень защиты
AKM2-AKM8	B, C, D, G, H, T	c	IP65
AKM2-AKM6 Washdown/ Food	B, C, D, G	c	IP67

6.4.5 Класс изоляции

Двигатели выполнены с изоляцией класса F согласно стандарту IEC60085 (UL1446/F).

6.4.6 Покрытие

Серводвигатели имеют матово-черное лакокрасочное покрытие, не обладающее устойчивостью к растворителям (трихлорэтилен и т.п.).

6.4.7 Приводной конец вала

Передача момента происходит через цилиндрический конец вала на стороне привода, посадка k6 (AKM1: h7) согласно DIN 748 с затяжной резьбой, но без паза под призматическую шпонку. Двигатели также доступны с пазом и вставил ключ в соответствии с DIN 6885. Вал с пазом уравнивается с коротким ключом (половина).

Срока службы подшипников составляет 20000 часов работы.

Кодирование	Вал	Доступно для
N	гладкий вал	Все типы, стандарт
C	с пазом под шпонку, выходной	AKM 2...8
K	с открытым пазом под шпонку	AKM 1...8

Радиальная нагрузка

Если двигатели приводят в движение механизмы через шестерни или зубчатые ремни, то возникают большие радиальные нагрузки. Допустимые значения нагрузки на конец вала в зависимости от частоты вращения вы найдете на рисунках (→ # 186). Максимально допустимые значения вы найдете в технических данных (→ # 167). В случае приложения силы к середине свободного конца вала радиальная нагрузка может быть на 10% больше.

Осевая нагрузка

В случае установки на вал шестерен или шкивов и при работе, например конической передачи, возникает осевая нагрузка. Максимально допустимые значения вы найдете в технических данных.

Муфты

Как идеальные беззазорные элементы сцепления зарекомендовали себя двухконусные зажимные муфты, в некоторых случаях в сочетании с металлическими сальфонными муфтами.

6.4.8 Устройство защиты

В стандартном исполнении каждый двигатель оснащен термистором. Температура отключения составляет $155^{\circ}\text{C} \pm 5\%$. Термистор не защищает от кратковременных очень сильных перегрузок. Опционально встраивается термодатчик KTY 83-110, KTY 84-130 (см. варианты подключения 1, 2, 7 и D на (→ # 147) (→ # 200)

С системой цифровой обратной связи СФР, SFD3, DSL (C-, CA, GE, GF) состояние датчика температуры передается цифровой и оценены в дисковод. При

использовании нашего фабрично подготовленного кабеля для резольвера термистор интегрирован в систему контроля цифрового сервоусилителя.

6.4.9 Уровень вибрации

Двигатели соответствуют уровню вибрации А согласно DIN EN 60034-14. Это означает, что при частоте вращения в диапазоне 600-3600 об/мин и высоте оси между 56 и 132 мм допустимое эффективное значение скорости колебаний составляет 1,6 мм/с.

Частота вращения [об/мин]	макс. относительное виброперемещение [мкм]	макс. биение [мкм]
<= 1800	90	23
> 1800	65	16

6.4.10 Сальник вала

Если АКМ крепится к фланцу машины и область вала не защищена, сальник (опция 01) обеспечивает защиту вала.

- Тефлоновый сальник обеспечивает в области вала степень защиты IP67.
- Номинальные данные двигателя достигаются через несколько часов работы двигателя. Специальная обкатка не требуется.
- Возможно образование тефлоновой пыли. На работу двигателя это не влияет.
- Эксплуатация сальника без смазки запрещена. При необходимости эксплуатации сальника без смазки обратитесь в Kollmorgen для выработки специального технического решения.
- Уплотнение вала предварительно смазанный жиром FDA.

6.4.11 Способы подключения

6.4.11.1 Разъёмы

Описания доступных разъёмов: (→ # 147). Схема контактов разъёма: (→ # 200).

6.4.11.2 Сечение кабельных жил

Силовые кабели, комбинированные кабели

В комбинированных кабелях кроме 4 силовых жил есть две экранированные жилы для тормоза.

Сечение		Допустимая токовая нагрузка	Замечание
Кабель	Комб. кабель		
(4x1)	(4x1+(2x0,75))	$0A < I_{0rms} \leq 10,1A$	Скобки (...) означают экранирование. Допустимая токовая нагрузка согласно EN60204-1:2006 Таблица 6, столбец B4
(4x1,5)	(4x1,5+(2x0,75))	$10,1A < I_{0rms} \leq 13,1A$	
(4x2,5)	(4x2,5+(2x1))	$13,1A < I_{0rms} \leq 17,4A$	
(4x4)	(4x4+(2x1))	$17,4A < I_{0rms} \leq 23A$	
(4x6)	(4x6+(2x1))	$23A < I_{0rms} \leq 30A$	
(4x10)	(4x10+(2x1,5))	$30A < I_{0rms} \leq 40A$	
(4x16)	(4x16+(2x1,5))	$40A < I_{0rms} \leq 54A$	
(4x25)	(4x25+(2x1,5))	$54A < I_{0rms} \leq 70A$	

Кабель обратной связи

Тип	Сечение	Замечание
Резольвер, SFD	(4x2x 0,25)	
Энкодер	(7x2x 0,25)	BiSS, EnDAT, HIPERFACE
Comcoder	(8x2x 0,25)	Инкрем. датчик с сенсорами Холла

Гибридный кабель

Тип	Сечение	Замечание
SFD	(4x1.0+2x(2x0.75))	4 силовых жилы, 4 сигнальные жилы SFD соответственно
SFD	(4x1.5+2x(2x0.75))	
SFD3/DSL	(4x1.0+(2x0.34)+(2x0.75))	4 силовых жилы & 2 тормоз жилы & 2 сигнальные жилы SFD3/DSL
SFD3/DSL	(4x1.5+(2x0.34)+(2x0.75))	
SFD3/DSL	(4x2.5+(2x0.34)+(2x1.0))	
SFD3/DSL	(4x4+(2x0.34)+(2x1.0))	

Техническое описание используется Гибридный кабель см Product Wiki ([Hybrid Cables](#)).

6.4.12 Стояночный тормоз

Двигатели по выбору можно заказать со встроенным стояночным тормозом. При отключении напряжения пружинный тормоз (24 В) блокирует ротор.



ВНИМАНИЕ

Если при подвешенном грузе (вертикальные оси) стояночный тормоз двигателя отпущен, а сервопривод не развивает мощности, возможно падение груза!

Опасность травмирования обслуживающего персонала машины. В случае висящих грузов (вертикальные оси) безопасность персонала обеспечивается только при использовании дополнительного внешнего механического тормоза.

УКАЗАНИЕ

Стояночные тормоза сконструированы для блокировки в состоянии покоя и не подходят для постоянных торможений во время эксплуатации. При частом использовании стояночного тормоза для торможения при вращающемся роторе вероятен преждевременный выход тормоза из строя из-за износа.

При встроенном стояночном тормозе длина двигателя увеличивается.

Управление стояночными тормозами может осуществляться непосредственно от сервоусилителя (небезопасно для персонала!), в этом случае отключение обмотки тормоза происходит в сервоусилителе — дополнительная проводка не требуется. Примите во внимание указания, содержащиеся в руководстве по эксплуатации сервоусилителя. Если управление стояночным тормозом происходит не напрямую с сервоусилителя, необходим монтаж дополнительного устройства (например, варистора).

6.4.13 Вентилятор для АКМ7

Для типоразмера АКМ7 имеется комплект оснастки для принудительного охлаждения. Встроенный вентилятор позволяет увеличить мощность двигателей АКМ7 до 30 %. Инструкция по монтажу вентиляторного узла входит в комплект поставки.



Корпус вентилятора закрепляется либо только при помощи входящих в комплект поставки уголков либо дополнительно при помощи также входящих в комплект поставки распорных винтов. Выбор способа монтажа зависит от условий эксплуатации. В случае сильной вибрации для надёжности крепления используйте распорные винты и уголки. Для двигателей со встроенным тормозом используйте более длинные распорные винты.

УКАЗАНИЕ

Обеспечьте свободный приток воздуха к решетке вентилятора. Свободное пространство перед решеткой вентилятора должно быть не менее 25мм. Из-за принудительной вентиляции двигатели загрязняются намного сильнее. Отложения грязи снижают эффективность охлаждения и могут повредить двигатели. Регулярно очищайте вентилятор и двигатель. При монтаже вентилятора установочные размеры двигателей АКМ7 увеличиваются.

В случае АКМ7 двигателей с опцией разъем "С", обмотки "Q" и принудительная вентиляция необходимо ограничить ток двигателя в 23,5 А для защиты разъема.

Технические данные двигателей АКМ7 с вентилятором см. на (→ # 181).

Чертеж с размерами двигателей АКМ7 с вентилятором см. на (→ # 195).

6.4.14 Исполнение Washdown и Washdown Food

Данное исполнение двигателя используется в случаях, требующих соблюдения строгих гигиенических предписаний, не допускающих коррозии и образования центров кристаллизации, а также при необходимости периодической очистки машин. Двигатели созданы на базе стандартных типов АКМ2 – АКМ6, в конструкцию которых внесены изменения, рассчитанные на применение специально в пищевой или упаковочной промышленности. В дополнение к этому также существует возможность нанесения покрытия на фланец (однако в этом случае допуск N для размеров фланца не может быть гарантирован). В расшифровке типовых обозначений сведения о лакокрасочном покрытии корпуса двигателя (тип "W" для исполнения Washdown, "F" для исполнения Washdown Food, см. последние два знака) и о покрытии фланца указаны отдельно.

Washdown/Washdown Food Motor	Варианты подключения	Похожие ответный разъем	Варианты Фланец
AKM2	B*, D*, G	вариант B, C, D, G (Hummel M23 INOX подключения): Силовой & тормоз: 7084943102	A, B, W, R
AKM3, 4, 6	C*, D*, G	Feedback 12-конт: 7004912102	A, B, W, R
AKM5	C*, D*, G	Feedback 18-конт: 7003917102	B, C, W

УКАЗАНИЕ

* Не включайте разъем на двигателе более чем на +/- 180 °, больший угол поворота может привести к повреждению внутренних соединений.

6.4.14.1 Washdown

AKM^{AAA}_{AAAA}^{AW} Washdown-исполнение без покрытия фланца
 AKM^{AAA}_{WAAAA}^{AW} Washdown-исполнение с покрытием А-фланца IEC

INFO

Двигатели в исполнении Washdown не должны иметь контакта с пищевыми продуктами без упаковки.

Область применения: агрессивные условия окружающей среды, эксплуатация на открытом воздухе
Пример: линии производства продуктов питания и упаковочные линии без контакта двигателей с продуктами, радиолокационные станции, ветряные турбины, морские буровые установки
Стандарты: UL, CE, RohS
Поверхность: покрытие серого цвета
Устойчивость: к проверенным чистящим средствам (→ # 157), устойчивость к коррозии
Степень защиты: IP67
Вал: нержавеющей сталь
Радиальное уплотнение вала: политетрафторэтилен
Смазочный материал: промышленная пластичная смазка для подшипников, контакт с продуктами питания не допускается
Штекер: нержавеющей сталь, гладкая поверхность
Винты: нержавеющей сталь

Заводская табличка: выгравирована, к каждой упаковке прилагается дополнительная заводская табличка

размер: AKM2 - AKM6

6.4.14.2 Washdown Food

AKM^{^^^}-^{^^^}AKM^{^^^}-^{^F} Washdown Food-исполнение без покрытия фланца

AKM^{^^^}-^WAKM^{^^^}-^{^F} Washdown Food -исполнение с покрытием А-фланца IEC

INFO

Поверхность двигателей в исполнении Washdown Food успешно прошла все испытания согласно требованиям FDA GlobalMigration к опосредованному контакту с пищевыми продуктами. Прямой контакт с пищевыми продуктами без упаковки не допускается.

Область применения: производство продуктов питания и напитков при отсутствии прямого контакта двигателей с пищевыми продуктами без упаковки.

Пример: нарезка, упаковка и фасовка без прямого контакта с продуктом, двигатель сбоку или снизу по отношению к продукту.

Стандарты: UL, CE, RoHs, FDA

Поверхность: специальное покрытие белого цвета

Устойчивость: к проверенным чистящим средствам (→ # 157), устойчивость к коррозии

Global Migration: US FDA Regulations 21 CFR 175.300, Condition of Use E

Степень защиты: IP67

Вал: нержавеющей сталь

Радиальное уплотнение вала: политетрафторэтилен согласно FDA

Смазочный материал: безвредный для пищевых продуктов согласно FDA

Штекер: нержавеющей сталь, гладкая поверхность

Винты: нержавеющей сталь

Заводская табличка: выгравирована, к каждой упаковке прилагается дополнительная заводская табличка

Размер: AKM2 - AKM6

6.4.14.3 Проверенные и подтвержденные характеристики устойчивости по отношению к средствам химической очистки

В контрольной лаборатории компании ECOLAB Deutschland GmbH была проверена устойчивость поверхностей двигателей Washdown-исполнения к следующим промышленным средствам для химической очистки:

- P3-topactive DES
- P3-topactive LA
- P3-topax 56
- P3-topax 66
- P3-topax 91

При этом поверхности были погружены в соответствующее средство для химической очистки на 28 дней при комнатной температуре. Это соответствует примерно 2500 циклам очистки с 15-минутным контактом с чистящим средством или 1500 циклам очистки с последующей дезинфекцией.

Сертификаты вы сможете найти в нашем онлайн-справочнике по продукции (Produkt-WIKI), на странице [Approvals](#).

УКАЗАНИЕ

Kollmorgen гарантирует указанный срок службы двигателя только при использовании проверенных чистящих средств. Другие (не названные выше) чистящие средства по запросу могут быть проверены в лаборатории Kollmorgen и при необходимости допущены к применению.

6.4.14.4 Условия монтажа и эксплуатации

- Эксплуатация двигателей допускается только при температурах окружающей среды, не превышающих 50 °С.
- Для фланца с нанесенным покрытием допуск размеров фланца N не гарантируется.

УКАЗАНИЕ

У двигателей с фланцем без покрытия Washdown поверхность фланца необходимо защитить от воздействия чистящих средств путём соответствующего монтажа.

УКАЗАНИЕ

Во время установки и эксплуатации защиты двигателя от механических воздействий, которые могут привести к появлению царапин или трещин на окрашенных поверхностях. Неправильное обращение увеличивает риск коррозии.

6.4.14.5 План очистки

Рекомендуемый план очистки (в краткой форме) с использованием протестированных средств для химической очистки:

Промывка водой (40 °... 50 °С)

Промывайте с небольшим напором, сверху вниз по направлению к сливу. Очистите слив.

Очистка пенообразующими средствами

Наносите пену сверху вниз.

Щелочное средство: P3-topactive LA или P3-topax 66 (2–5 %, ежедневно в течение 15 мин.)

Кислотосодержащее средство: P3-topax 56 (2 %, по мере необходимости в течение 15 мин.)

Температура: от холодного состояния до 40 °С

Дезинфекция

Опрыскивайте водой (40–50 °С) с небольшим напором, сверху вниз.

Дезинфицирующее средство для опрыскивания: P3-topax 91 (1-2 %, по мере необходимости в течение 30–60 мин.)

Пенообразующее дезинфицирующее средство: P3-topax DES (1-3 %, по мере необходимости в течение 10–30 мин.)

6.5 Механический монтаж

INFO

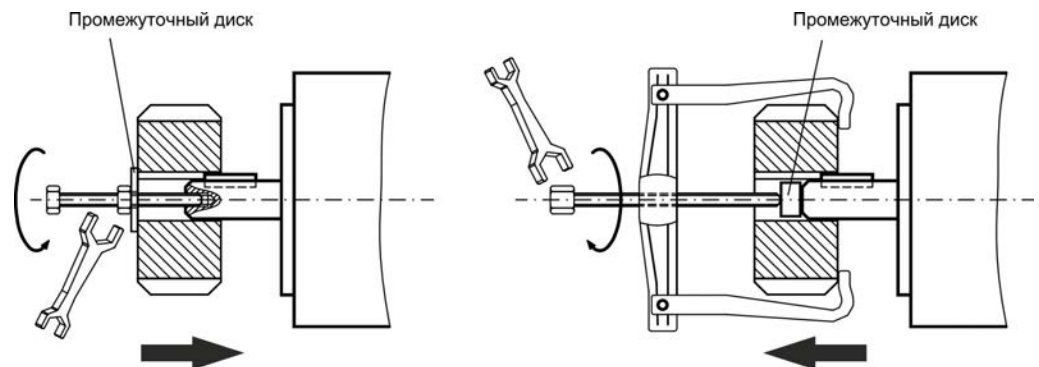
Габаритные чертежи приведены (→ # 186).

6.5.1 Важные указания

INFO

Двигатели могут устанавливаться только специалистами со знаниями в области машиностроения

- Защищайте двигатели от недопустимой нагрузки. В особенности запрещается изгибать конструктивные элементы и / или изменять изоляционные зазоры при транспортировке и работе с изделиями.
- На месте монтажа не должно находиться токопроводящих и агрессивных веществ. При способе монтажа V3 следите, чтобы в подшипники не попала жидкость. При герметическом монтаже проконсультируйтесь с нашим отделом автоматизации.
- Обеспечьте беспрепятственную вентиляцию двигателей и следите за допустимой температурой окружающей среды и фланца. При температурах внешней среды выше 40°C необходимо проконсультироваться с нашим отделом автоматизации.
- Фланец и вал подвергаются опасности повреждения при установке и монтаже, поэтому избегайте применения грубой силы — точность требует деликатности. При насадке муфт, шестерен или шкивов обязательно используйте предусмотренное для монтажа резьбовое отверстие в валу и нагревайте, если возможно, монтируемые элементы. Удары или применение грубой силы приводят к повреждениям подшипников и вала.



- По возможности используйте только беззазорные, фрикционные зажимные цанги или муфты. Следите за правильным расположением муфты. Смещение ведет к недопустимой вибрации и к разрушению шарикоподшипников и муфты.
- В любом случае избегайте излишней механической опоры вала двигателя из-за жесткого сцепления или внешних опорных.
- Обратите внимание на число полюсов двигателя и резольвера и обязательно правильно установите число полюсов в используемом сервоусилителе. Неправильная настройка, особенно в случае малых двигателей, может привести к разрушению.
- По возможности избегайте осевой нагрузки на вал двигателя. Осевая нагрузка значительно сокращает срок службы двигателя.
- Проверьте соблюдение допустимых радиальных и осевых нагрузок F_R и F_A . При использовании ременного привода минимально допустимый диаметр шестерни вычисляется, например, из формулы: $d_{\min} \geq (M_0/F_R)*2$

6.6 Электрический монтаж

INFO

Разводку контактов вы найдете в главе "Connector Pinout" начиная со стр. (→ # 200).
Разводку контактов сервоусилителя вы найдете в руководстве по эксплуатации сервоусилителя.

6.6.1 Важные указания

INFO

Подключение двигателей может осуществляться только специалистами с электротехническим образованием.



ОПАСНО

Монтаж двигателя и подключение кабелей производятся только в обесточенном состоянии, подача напряжения на монтируемые устройства запрещено. При прикосновении к токопроводящим контактам существует опасность тяжёлых травм или смерти.

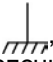

Позаботьтесь о надёжном отключении распределительного шкафа (заграждение, предупредительные таблички и т.д.). Напряжение следует подключать только при вводе в эксплуатацию.

Никогда не отсоединяйте электрические контакты двигателя под напряжением. Опасность удара электрическим током! При неблагоприятных обстоятельствах могут возникать электрические дуги, наносящие повреждения людям и электрическим контактам.

В конденсаторах сервоусилителя в течение 10 минут после отключения напряжения сети могут сохраняться опасные остаточные заряды. Силовые и сигнальные контакты могут находиться под напряжением, даже если двигатель остановлен.

Измерьте напряжение звена постоянного тока и подождите, пока напряжение не опустится ниже 60 В.

INFO

Значок "корпус" , который можно найти на всех схемах соединений, означает, что вы должны обеспечить электрическое соединение как можно большей площади между обозначенным устройством и монтажной платой в вашем распределительном шкафу. Это соединение должно позволять отводить высокочастотные помехи, и его не следует путать со значком заземления  (защитная мера согласно стандарту EN 60204).

Примите во внимание также указания на схемах соединений в руководстве по эксплуатации используемого сервоусилителя.

6.6.2 Инструкции по электромонтажу

- Проверьте соответствие данных сервоусилителя и двигателя. Сравните номинальное напряжение и номинальный ток устройств. Произведите монтаж согласно схеме соединений в руководстве по эксплуатации сервоусилителя. Электромонтаж проводится в соответствии со схемой подключения, приведенной в руководстве по эксплуатации сервоусилителя. Разводку контактов для этих вариантов Вы найдете в главе "Разводка контактов", (→ # 186).
- Все силовые кабели должны иметь достаточное поперечное сечение в соответствии с EN 60204. Рекомендуемые поперечные сечения вы найдете в технических данных.

INFO

В зависимости от типа используемого сервоусилителя, при большой длине кабеля двигателя (> 25 м) должен быть установлен дроссель двигателя (3YL / 3YLN) (см. руководство по эксплуатации сервоусилителя и руководство по вспомогательному оборудованию).

- Обратите внимание на то, чтобы заземление сервоусилителя и двигателя было безупречным. Информацию об экранировании и заземлении в соответствии с требованиями к электромагнитной совместимости см. в руководстве используемого сервоусилителя. Заземлите монтажную плату и корпус двигателя.
- Если сигнальные провода для управления тормозом прокладываются совместно с силовым кабелем, их необходимо экранировать. Экран должен быть подсоединён к заземлённой поверхности с обеих сторон (см. руководство по эксплуатации сервоусилителя).
- Разводка:
 - Проложите силовые и управляющие кабели по возможности отдельно
 - Подсоедините устройство обратной связи
 - Подсоедините кабель двигателя к сервоусилителю. Дроссель двигателя расположите рядом с сервоусилителем.
 - Подсоедините экран с обеих сторон (к клеммам для экрана или ЭМС-штекеру)
 - Подсоедините стояночный тормоз двигателя
 - Подсоедините экран с обеих сторон
- Соединение экрана с корпусом штекера или ЭМС-клеммой должно обладать большой площадью контакта (низкоомный контакт)..
- Требования к материалу кабеля:
 - Ёмкость Кабель двигателя: меньше, чем 150 пФ/м
 - Кабель устройства обратной связи: меньше, чем 120 пФ/м

6.6.3 Подключение двигателей при помощи фабрично подготовленных кабелей

- Осуществляйте монтаж в соответствии с действующими предписаниями и стандартами.
- Используйте для подключения питания и устройства обратной связи исключительно наши фабрично подготовленные кабели.
- Неправильно наложенные экраны неизбежно ведут к нарушению электромагнитной совместимости.
- Максимальная длина кабеля описана в руководстве по эксплуатации используемого сервоусилителя.

INFO

Технические характеристики наших фабрично подготовленных кабелей приведены в руководстве по дополнительному оборудованию.

6.7 Ввод в эксплуатацию

6.7.1 Важные указания

INFO

Только специалисты с обширными знаниями в области электротехники / приводной техники могут вводить в эксплуатацию компоненты электропривода сервоусилитель и двигатель.



ОПАСНО

Возникает опасное для жизни напряжение до 900 В. Опасность удара электрическим током! Проверьте, все ли находящиеся под напряжением соединительные детали надежно защищены от прикосновений.

Никогда не отсоединяйте штекерные разъёмы двигателя под напряжением. Опасность удара электрическим током! Конденсаторы в сервоусилителе находятся под опасным напряжением еще в течение нескольких минут после отключения питающего напряжения. В конденсаторах сервоусилителя в течение нескольких минут после отключения напряжения сети могут сохраняться опасные остаточные заряды. Измерьте напряжение звена постоянного тока и подождите, пока напряжение не опустится ниже 60 В. Силовые и сигнальные контакты могут находиться под напряжением, даже если двигатель остановлен.



ОСТОРОЖНО

Во время эксплуатации температура поверхности двигателя может превышать 100 С. Опасность ожога! Измерьте температуру и подождите, пока двигатель не остынет до 40°C, прежде чем дотрагиваться до него.



ОСТОРОЖНО

При вводе в эксплуатацию не исключается возможность непредвиденного движения привода.

Обеспечьте безопасность персонала и машин в случае непроизвольного пуска привода.

Исходя из анализа опасных ситуаций Вы обязаны принять соответствующие меры для предотвращения физического или материального ущерба.

6.7.2 Инструкции по вводу в эксплуатацию

Действия при вводе в эксплуатацию описаны в качестве примера. В зависимости от конкретного применения устройства может быть целесообразен или необходим и другой образ действий.

1. Проверьте правильность установки двигателя по уровню.
2. Проверьте ведомые элементы (муфту, редуктор, шкив) на прочность посадки и правильность центровки (обратите внимание на допустимые радиальные и осевые нагрузки).
3. Проверьте кабельную разводку и штекерные разъёмы на двигателе и сервоусилителе. Обратите внимание на наличие надлежащего заземления.
4. Проверьте функционирование стояночного тормоза, если таковой имеется. (подключите 24 В, тормоз должен отпуститься).
5. Проверьте свободное вращение ротора двигателя (предварительно отпустите тормоз при его наличии). Проследите, нет ли шумов трения.
6. Проконтролируйте, приняты ли все меры защиты от соприкосновения с движущимися и токопроводящими деталями.
7. Проведите прочие контрольные мероприятия, которые требуются для вашей установки.
8. Теперь введите привод в эксплуатацию согласно инструкции по вводу в эксплуатацию сервоусилителя.
9. Во многоосевых системах введите в эксплуатацию каждую ось сервоусилитель-двигатель по отдельности.

6.7.3 Устранение неисправностей

В зависимости от условий в вашей установке возникающие неисправности могут быть вызваны различными причинами. Ниже описаны прежде всего причины неисправностей, касающиеся непосредственно двигателя. Возникновение нежелательных отклонений в характеристиках регулирования обычно объясняется неправильным заданием параметров сервоусилителя. Соответствующая информация имеется в документации по сервоусилителю и в справке программного обеспечения для ввода в эксплуатацию. Во многоосевых системах могут иметься дополнительные скрытые причины неисправностей.

Наш отдел автоматизации поможет вам в решении проблем.

Неисправность	Возможные причины неисправности	Меры по устранению причин неисправности
Двигатель идет в разнос	<ul style="list-style-type: none"> • фазы двигателя перепутаны 	<ul style="list-style-type: none"> • правильно подключить фазы двигателя
Двигатель вибрирует	<ul style="list-style-type: none"> • экран кабеля резольвера не наложен или оборван • слишком большое значение усиления 	<ul style="list-style-type: none"> • заменить кабель резольвера • использовать для двигателя значения по умолчанию
Сообщение о неисправности „Тормоз“	<ul style="list-style-type: none"> • короткое замыкание в питающем кабеле стояночного тормоза • стояночный тормоз неисправен 	<ul style="list-style-type: none"> • устранить короткое замыкание • заменить двигатель
Сообщение о неисправности „Неисправность в выходном каскаде“	<ul style="list-style-type: none"> • короткое замыкание или замыкание на жилу защитного заземления в кабеле двигателя • короткое замыкание или замыкание на корпус в двигателе 	<ul style="list-style-type: none"> • заменить кабель • заменить двигатель
Сообщение о неисправности “Резольвер”	<ul style="list-style-type: none"> • штекер резольвера неправильно вставлен • обрыв в кабеле резольвера, кабель расплющен и т.п. 	<ul style="list-style-type: none"> • проверить штекерное соединение • проверить кабель резольвера
Сообщение о неисправности „Температура двигателя“	<ul style="list-style-type: none"> • сработал термовыключатель двигателя • штекер резольвера неплотно соединен, обрыв в кабеле резольвера 	<ul style="list-style-type: none"> • Подождать, пока двигатель остынет. Затем проверить, почему двигатель так сильно греется. • Проверить штекер, при необходимости использовать новый кабель резольвера
Тормоз не действует	<ul style="list-style-type: none"> • затребован слишком большой тормозной момент • тормоз неисправен 	<ul style="list-style-type: none"> • проверить параметры • заменить двигатель

6.8 Определения терминов по Технические данные

INFO

Технические данные двигателей вы найдете в главе "Technical Data" начиная со стр (→ # 167).

Все данные соответствуют температуре окружающей среды 40°C и превышению температуры обмотки над окружающей средой 100K. Номинальные данные определены при постоянной температуре фланца 65°C. Данные могут иметь допустимое отклонение +/- 10%.

Пусковой вращающий момент M_0 [Нм]

При частоте вращения $0 < n < 100$ об/мин и номинальных условиях окружающей среды двигатель может выдавать пусковой вращающий момент неограниченное время.

Номинальный вращающий момент M_n [Нм]

При номинальной частоте вращения двигатель потребляет номинальный ток и развивает номинальный вращающий момент. При номинальной частоте вращения двигатель может выдавать номинальный вращающий момент неограниченное время, работая в продолжительном режиме работы (S1).

Пусковой ток I_{0rms} [А]

Пусковой ток — это эффективное значение синусоидального тока, который двигатель потребляет при $0 < n < 100$ об/мин, чтобы развить пусковой вращающий момент.

Максимальный ток (импульсный ток) I_{0max} [А]

Максимальный ток (эффективное значение синусоидального тока) несколько времен значению пускового тока, в зависимости от мотора. Максимальный ток используемого сервоусилителя должен быть меньше.

Постоянная вращающего момента K_{Trms} [Нм/А]

Постоянная вращающего момента показывает, какой вращающий момент развивает двигатель при эффективном значении синусоидального тока 1 А. Действует следующее соотношение: $M = I \times K_T$ (макс. до $I = 2 \times I_0$)

Постоянная напряжения K_{Erms} [Вмин⁻¹]

Постоянная напряжения показывает индуцированную ЭДС двигателя при частоте вращения 1000 об/мин, это эффективное значение синусоидального напряжения между двумя клеммами. Измеренная при 25 ° C

Момент инерции ротора J [кгсм²]

Постоянная J является мерой динамичности двигателя. Например, при токе I_0 время разгона t_b от 0 до 3000 об/мин составляет:

$$t_b \left[s \right] = \frac{3000 \cdot 2\pi}{M_0 \cdot 60s} \cdot \frac{m^2}{10^4 \cdot cm^2} \cdot J \quad \text{где } M_0 \text{ в Нм и } J \text{ в кгсм}^2$$

Постоянная времени нагревания t_{th} [мин]

Постоянная t_{th} показывает время нагревания холодного двигателя при нагрузке током I_0 до достижения превышения температуры обмотки над температурой окружающей среды $0,63 \times 100$ Кельвин. При нагрузке максимальным током нагревание происходит за существенно более короткое время.

Время отпущения t_{BRH} [мс] / время наложения t_{BRL} [мс]

тормоза Эти постоянные показывают время реагирования стояночного тормоза при работе с номинальным напряжением на сервоусилителе.

U_N : Номинальное напряжение сети

U_n : Напряжение звена постоянного тока. $U_n = \sqrt{2} \cdot U_N$

-/-

7 Technical Data

All data valid for 40°C environmental temperature and 100K overtemperature of the winding. Determination of nominal dates with constant temperature of adapter flange of 65°C. The data can have a tolerance of +/- 10%.

7.1 Dictionary for technical data tables	168
7.1.1 Motor	168
7.1.2 Brake	168
7.2 Technical Data AKM1	169
7.3 Technical Data AKM2	170
7.4 Technical Data AKM3	172
7.5 Technical Data AKM4	174
7.6 Technical Data AKM5	176
7.7 Technical Data AKM6	178
7.8 Technical Data AKM7 without fan	180
7.9 Technical Data AKM7 with fan	181
7.10 Technical Data AKM8	183
7.11 Technical Data Brakes	184

7.1 Dictionary for technical data tables

7.1.1 Motor

English	Deutsch	Italiano	Español
Data	Daten	Dati	Datos
Symbol [Unit]	Symbol [Einheit]	Simbolo [unità]	Símbolo [unidad]
Electrical data	Elektrische Daten	Dati elettrici	Datos eléctricos
Standstill torque	Stillstands Drehmoment	Coppia cont. allo stallo	Par motor de parada
Standstill current	Stillstandsstrom	Corrente cont. allo stallo	Corriente de parada
max. Mains voltage	max. Netz-Nennspannung	Tensione di rete nom. max.	Tensión max del red
Rated speed	Nenndrehzahl	Velocità nominale	Velocidad nominal
Rated torque	Nenndrehmoment	Coppia nominale	Par motor nominal
Rated power	Nennleistung	Potenza nominale	Potencia nominal
Peak current	Spitzenstrom	Corrente di picco	Corriente máxima
Peak torque	Spitzendrehmoment	Coppia di picco	Par motor motor máximo
Torque constant	Drehmomentkonstante	Costante di coppia	Costante de par motor
Voltage constant	Spannungskonstante	Costante di tensione	Costante de tensión
Winding resistance	Wicklungswiderstand	Resistenza avvolgimento	Resistencia de la bobina
Winding inductance	Wicklungsinduktivität	Induttività avvolgimento	Inductividad de la bobina
Mechanical data	Mechanische Daten	Dati meccanici	Datos mecánicos
Rotor moment of inertia	Rotorträgheitsmoment	Momento di inerzia del rotore	Momento de inercia del rotor
Pole number	Polzahl	Numero di poli	Nº de polos
Static friction torque	Statisches Reibmoment	Momento di aderenza statica	Par estático de fricción
Thermal time constant	Thermische Zeitkonstante	Costante di tempo termica	Constante térmica de tiempo
Weight standard	Gewicht standard	Peso standard	Peso de estándar
Radial load permitted at shaft end	Zulässige Radialkraft am Wellenende	Soll. radiale ammessa sull'estr. dell'albero	Fuerza radial admitido en el extremo del eje
Axial load permitted	Zulässige Axialkraft	Soll. assiale ammessa	Fuerza axial admitido
Minimum cross section	Minimaler Querschnitt	Sezione max.	Sección máx.
Reference flange	Bemessungsflansch	Flangia di calcolo	Brida de la referencia
Derating in case of built-in Encoder (and Brake)	Begrenzung der Nennwerte bei eingebautem Encoder (und Bremse)	Riducendo le imposte nel caso del codificatore (e del freno) incorporati	El reducir la capacidad normal en caso de codificador (y de freno) incorporados

7.1.2 Brake

English	Deutsch	Italiano	Español
Brake data	Bremsendaten	Dati freno	Datos de frenos
Holding torque	Haltemoment	Coppia di arresto	Momento de parada
Operating voltage	Anschlussspannung	Tensione di allacciamento	Tensión de conexión
Electrical power	Elektrische Leistung	Potenza elettrica	Potencia eléctrica
Moment of inertia	Trägheitsmoment	Momento d'inerzia	Momento de inercia
Release delay time	Lüftverzögerungszeit	Ritardo al rilascio	Tiempo de respuesta
Engage delay time	Einfallverzögerungszeit	Ritardo all'incidenza	Tiempo de reacción
Weight of the brake	Gewicht der Bremse	Peso del freno	Peso de freno
Typical backlash	typisches Spiel	Gioco tipico	Contragolpe típico

7.2 Technical Data AKM1

U _N	Data	Symbol [Unit]	AKM							
			11B	11C	11E	12C	12E	13C	13D	
Electrical data										
	Standstill torque for ΔT winding = 100K*	M ₀ [Nm]**	0.18	0.19	0.19	0.31	0.31	0.41	0.40	
	Standstill current for ΔT winding = 100K	I _{0rms} [A]**	1.16	1.45	2.91	1.51	2.72	1.48	2.40	
	Standstill torque for ΔT winding = 60K*	M ₀ [Nm]**	0.14	0.15	0.15	0.25	0.25	0.33	0.32	
	max. Mains voltage	U _N [VAC]	230							
75VDC	Rated speed	n _n [rpm]	—	—	6000	—	3000	—	2000	
	Rated torque*	M _n [Nm]	—	—	0.18	—	0.31	—	0.40	
	Rated power	P _n [kW]	—	—	0.11	—	0.10	—	0.08	
115VAC	Rated speed	n_n [rpm]	4000	6000	—	4000	8000	3000	7000	
	Rated torque*	M _n [Nm]	0.18	0.18	—	0.30	0.28	0.41	0.36	
	Rated power	P _n [kW]	0.08	0.11	—	0.13	0.23	0.13	0.27	
230VAC	Rated speed	n _n [rpm]	8000	—	—	8000	—	8000	—	
	Rated torque*	M _n [Nm]	0.17	—	—	0.28	—	0.36	—	
	Rated power	P _n [kW]	0.14	—	—	0.23	—	0.30	—	
	Peak current	I _{0max} [A]	4.6	5.8	11.6	6	10.9	5.9	9.6	
	Peak torque	M _{0max} [Nm]	0.61	0.61	0.61	1.08	1.08	1.46	1.44	
	Torque constant	K _{Trms} [Nm/A]	0.16	0.13	0.06	0.21	0.11	0.28	0.17	
	Voltage constant	K _{Frms} [mVmin]	10.2	8.3	4.1	13.3	7.2	17.9	10.9	
	Winding resistance line-line	R ₂₅ [Ω]	18.2	12.1	3.1	12.4	3.9	13.5	5.4	
	Winding inductance line-line	L [mH]	12.5	8.3	2.0	9.1	2.7	10.3	3.8	
Mechanical data										
	Rotor moment of inertia	J [kgcm ²]	0.017		0.031		0.045			
	Pole number	-	6		6		6			
	Static friction torque	M _R [Nm]	0.0011		0.0021		0.0031			
	Thermal time constant	t _{TH} [min]	4		6		7			
	Weight standard	G [kg]	0.35		0.49		0.63			
	Radial load permitted	F _R [N]	see page (→ # 187)							
	Axial load permitted	F _A [N]	see page (→ # 187)							
Power cable acc. EN60204-1:2006 Table 6, Column B2										
	Minimum cross section	mm ²	1	1	1	1	1	1	1	

* Rated data with reference Aluminum plate 254mm x 254mm x 6.35mm

** Derating:

For brake motor option: no continuous torque reduction.

For non-resolver feedback options: no continuous torque reduction.

For motors with non-resolver feedback and brake option: no continuous torque reduction.

For motors with optional shaft seal, reduce torque shown by 0.021 Nm and increase M_R by the same amount.

Brake data for Brake options are listed in chapter "Technical Data Brakes" from (→ # 184).

7.3 Technical Data AKM2

U _N	Data	Symbol [Unit]	AKM					
			21C	21E	21G	22C	22E	22G
Electrical data								
	Standstill torque for ΔT winding = 100K*	M ₀ [Nm]**	0.48	0.50	0.50	0.84	0.87	0.88
	Standstill current for ΔT winding = 100K	I _{0rms} [A]**	1.58	3.11	4.87	1.39	2.73	4.82
	Standstill torque for ΔT winding = 60K*	M ₀ [Nm]**	0.38	0.40	0.40	0.67	0.69	0.70
	max. Mains voltage	U _N [VAC]	480					
75VDC	Rated speed	n _n [rpm]	—	2000	4000	—	1000	2500
	Rated torque*	M _n [Nm]	—	0.48	0.46	—	0.85	0.83
	Rated power	P _n [kW]	—	0.10	0.19	—	0.09	0.22
115VAC	Rated speed	n _n [rpm]	2500	7000	—	1000	3500	7000
	Rated torque*	M _n [Nm]	0.46	0.41	—	0.83	0.81	0.74
	Rated power	P _n [kW]	0.12	0.30	—	0.09	0.30	0.54
230VAC	Rated speed	n _n [rpm]	8000	—	—	3500	8000	—
	Rated torque*	M _n [Nm]	0.39	—	—	0.78	0.70	—
	Rated power	P _n [kW]	0.32	—	—	0.29	0.59	—
400VAC	Rated speed	n_n [rpm]	—	—	—	8000	—	—
	Rated torque*	M _n [Nm]	—	—	—	0.68	—	—
	Rated power	P _n [kW]	—	—	—	0.57	—	—
480VAC	Rated speed	n _n [rpm]	—	—	—	—	—	—
	Rated torque*	M _n [Nm]	—	—	—	—	—	—
	Rated power	P _n [kW]	—	—	—	—	—	—
	Peak current	I _{0max} [A]	6.3	12.4	19.5	5.6	10.9	19.3
	Peak torque	M _{0max} [Nm]	1.47	1.49	1.51	2.73	2.76	2.79
	Torque constant	K _{Trms} [Nm/A]	0.30	0.16	0.10	0.61	0.32	0.18
	Voltage constant	K _{E rms} [mVmin]	19.5	10.2	6.6	39	20.4	11.7
	Winding resistance line-line	R ₂₅ [Ω]	13.0	3.42	1.44	20	5.22	1.77
	Winding inductance line-line	L [mH]	19	5.2	2.18	35.5	9.7	3.19
Mechanical data								
	Rotor moment of inertia	J [kgcm ²]	0.11			0.16		
	Pole number	-	6			6		
	Static friction torque	M _R [Nm]	0.002			0.005		
	Thermal time constant	t _{TH} [min]	8			9		
	Weight standard	G [kg]	0.82			1.1		
	Radial load permitted	F _R [N]	see page (→ # 189)					
	Axial load permitted	F _A [N]	see page (→ # 189)					
Power cable acc. EN60204-1:2006 Table 6, Column B2								
	Minimum cross section	mm ²	1	1	1	1	1	1

* Rated data with reference Aluminum plate 254mm x 254mm x 6.35mm

** Derating:

Brake motor option reduces continuous torque ratings by:

AKM21 = 0.00 Nm AKM22 = 0.01 Nm AKM23 = 0.02 Nm AKM24 = 0.05 Nm

For non-resolver feedback options: no continuous torque reduction.

Motors with non-resolver feedback and brake option, reduce continuous torque by:

AKM21 = 0.00 Nm AKM22 = 0.02 Nm AKM23 = 0.05 Nm AKM24 = 0.12 Nm

For motors with optional shaft seal, reduce torque shown by 0.047 Nm and increase M_R by the same amount.

Brake data for Brake options are listed in chapter "Technical Data Brakes" from (→ # 184).

U_N	Data	Symbol [Unit]	AKM					
			23C	23D	23F	24C	24D	24F
Electrical data								
	Standstill torque for ΔT winding = 100K*	M_0 [Nm]**	1.13	1.16	1.18	1.38	1.41	1.42
	Standstill current for ΔT winding = 100K	I_{0rms} [A]**	1.41	2.19	4.31	1.42	2.21	3.89
	Standstill torque for ΔT winding = 60K*	M_0 [Nm]**	0.90	0.93	0.94	1.10	1.13	1.14
	max. Mains voltage	U_N [VAC]	480					
75VDC	Rated speed	n_n [rpm]	—	—	1500	—	—	1000
	Rated torque*	M_n [Nm]	—	—	1.15	—	—	1.39
	Rated power	P_n [kW]	—	—	0.18	—	—	0.15
115VAC	Rated speed	n_n [rpm]	1000	1500	4500	—	1500	3000
	Rated torque*	M_n [Nm]	1.11	1.12	1.07	—	1.36	1.33
	Rated power	P_n [kW]	0.12	0.18	0.50	—	0.21	0.42
230VAC	Rated speed	n_n [rpm]	2500	5000	8000	2000	4000	8000
	Rated torque*	M_n [Nm]	1.08	1.03	0.94	1.32	1.29	1.12
	Rated power	P_n [kW]	0.28	0.54	0.79	0.28	0.54	0.94
400VAC	Rated speed	n_n [rpm]	5500	8000	—	4500	8000	—
	Rated torque*	M_n [Nm]	0.99	0.92	—	1.25	1.11	—
	Rated power	P_n [kW]	0.57	0.77	—	0.59	0.93	—
480VAC	Rated speed	n_n [rpm]	7000	—	—	5500	—	—
	Rated torque*	M_n [Nm]	0.95	—	—	1.22	—	—
	Rated power	P_n [kW]	0.70	—	—	0.70	—	—
	Peak current	I_{0max} [A]	5.6	8.8	17.2	5.7	8.8	15.6
	Peak torque	M_{0max} [Nm]	3.77	3.84	3.88	4.73	4.76	4.82
	Torque constant	K_{Trms} [Nm/A]	0.80	0.52	0.27	0.97	0.63	0.36
	Voltage constant	K_{Erms} [mV/min]	51.8	33.8	17.6	62.4	40.8	23.4
	Winding resistance line-line	R_{25} [Ω]	21.3	8.77	2.34	20.4	9.02	2.94
	Winding inductance line-line	L [mH]	40.7	17.3	4.68	43.8	18.7	6.16
Mechanical data								
	Rotor moment of inertia	J [kgcm ²]	0.22			0.27		
	Pole number	-	6			6		
	Static friction torque	M_R [Nm]	0.007			0.01		
	Thermal time constant	t_{TH} [min]	10			11		
	Weight standard	G [kg]	1.38			1.66		
	Radial load permitted	F_R [N]	see page (→ # 189)					
	Axial load permitted	F_A [N]	see page (→ # 189)					
Power cable acc. EN60204-1:2006 Table 6, Column B2								
	Minimum cross section	mm ²	1	1	1	1	1	1

* Rated data with reference Aluminum plate 254mm x 254mm x 6.35mm

** Derating:

Brake motor option reduces continuous torque ratings by:

AKM21 = 0.00 Nm AKM22 = 0.01 Nm AKM23 = 0.02 Nm AKM24 = 0.05 Nm

For non-resolver feedback options: no continuous torque reduction.

Motors with non-resolver feedback and brake option, reduce continuous torque by:

AKM21 = 0.00 Nm AKM22 = 0.02 Nm AKM23 = 0.05 Nm AKM24 = 0.12 Nm

For motors with optional shaft seal, reduce torque shown by 0.047 Nm and increase M_R by the same amount.

Brake data for Brake options are listed in chapter "Technical Data Brakes" from (→ # 184).

7.4 Technical Data AKM3

U _N	Data	Symbol [Unit]	AKM							
			31C	31E	31H	32C	32D	32E	32H	
Electrical data										
	Standstill torque for ΔT winding = 100K*	M ₀ [Nm]**	1.15	1.20	1.23	2.00	2.04	2.04	2.10	
	Standstill current for ΔT winding = 100K	I _{0rms} [A]**	1.37	2.99	5.85	1.44	2.23	2.82	5.50	
	Standstill torque for ΔT winding = 60K*	M ₀ [Nm]**	0.92	0.96	0.98	1.60	1.63	1.63	1.68	
	max. Mains voltage	U _N [VAC]	480							
75VDC	Rated speed	n _n [rpm]	—	750	2000	—	—	—	1200	
	Rated torque*	M _n [Nm]	—	1.19	1.20	—	—	—	2.06	
	Rated power	P _n [kW]	—	0.09	0.25	—	—	—	0.26	
115VAC	Rated speed	n _n [rpm]	—	2500	6000	—	1000	—	3000	
	Rated torque*	M _n [Nm]	—	1.17	0.97	—	2.00	—	1.96	
	Rated power	P _n [kW]	—	0.31	0.61	—	0.21	—	0.62	
230VAC	Rated speed	n _n [rpm]	2500	6000	—	1500	2500	3500	7000	
	Rated torque*	M _n [Nm]	1.12	0.95	—	1.95	1.93	1.87	1.45	
	Rated power	P _n [kW]	0.29	0.60	—	0.31	0.51	0.69	1.06	
400VAC	Rated speed	n_n [rpm]	5000	—	—	3000	5500	7000	—	
	Rated torque*	M _n [Nm]	1.00	—	—	1.86	1.65	1.41	—	
	Rated power	P _n [kW]	0.52	—	—	0.58	0.95	1.03	—	
480VAC	Rated speed	n _n [rpm]	6000	—	—	3500	6000	8000	—	
	Rated torque*	M _n [Nm]	0.91	—	—	1.83	1.58	1.22	—	
	Rated power	P _n [kW]	0.57	—	—	0.67	0.99	1.02	—	
	Peak current	I _{0max} [A]	5.5	12	23.4	5.8	8.9	11.3	22	
	Peak torque	M _{0max} [Nm]	3.88	4.00	4.06	6.92	7.1	7.11	7.26	
	Torque constant	K _{Trms} [Nm/A]	0.85	0.41	0.21	1.40	0.92	0.73	0.39	
	Voltage constant	K _{Frms} [mV/min]	54.5	26.1	13.7	89.8	59.0	47.1	24.8	
	Winding resistance line-line	R ₂₅ [Ω]	21.4	4.74	1.29	23.8	10.3	6.3	1.69	
	Winding inductance line-line	L [mH]	37.5	8.6	2.4	46.5	20.1	12.8	3.55	
Mechanical data										
	Rotor moment of inertia	J [kgcm ²]	0.33			0.59				
	Pole number	-	8			8				
	Static friction torque	M _R [Nm]	0.014			0.02				
	Thermal time constant	t _{TH} [min]	14			17				
	Weight standard	G [kg]	1.55			2.23				
	Radial load permitted	F _R [N]	see page (→ # 190)							
	Axial load permitted	F _A [N]	see page (→ # 190)							
Power cable acc. EN60204-1:2006 Table 6, Column B2										
	Minimum cross section	mm ²	1	1	1	1	1	1	1	1

* Rated data with reference Aluminum plate 254mm x 254mm x 6.35mm

** Derating:

Brake motor option reduces continuous torque ratings by:

AKM31 = 0.00 Nm

AKM32 = 0.05 Nm

AKM33 = 0.1 Nm

For non-resolver feedback options: no continuous torque reduction.

Motors with non-resolver feedback and brake option, reduce continuous torque by:

AKM31 = 0.0 Nm

AKM32 = 0.1 Nm

AKM33 = 0.2 Nm

For motors with optional shaft seal, reduce torque shown by 0.047 Nm and increase M_R by the same amount.

Brake data for Brake options are listed in chapter "Technical Data Brakes" from (→ # 184).

U_N	Data	Symbol [Unit]	AKM		
			33C	33E	33H
Electrical data					
	Standstill torque for ΔT winding = 100K*	M_0 [Nm]**	2.71	2.79	2.88
	Standstill current for ΔT winding = 100K	I_{0rms} [A]**	1.47	2.58	5.62
	Standstill torque for ΔT winding = 60K*	M_0 [Nm]**	2.17	2.23	2.30
	max. Mains voltage	U_N [VAC]	480		
75VDC	Rated speed	n_n [rpm]	—	—	800
	Rated torque*	M_n [Nm]	—	—	2.82
	Rated power	P_n [kW]	—	—	0.24
115VAC	Rated speed	n_n [rpm]	—	—	2500
	Rated torque*	M_n [Nm]	—	—	2.66
	Rated power	P_n [kW]	—	—	0.70
230VAC	Rated speed	n_n [rpm]	1000	2000	5500
	Rated torque*	M_n [Nm]	2.64	2.62	2.27
	Rated power	P_n [kW]	0.28	0.55	1.31
400VAC	Rated speed	n_n [rpm]	2000	4500	—
	Rated torque*	M_n [Nm]	2.54	2.34	—
	Rated power	P_n [kW]	0.53	1.10	—
480VAC	Rated speed	n_n [rpm]	2500	5000	—
	Rated torque*	M_n [Nm]	2.50	2.27	—
	Rated power	P_n [kW]	0.65	1.19	—
	Peak current	I_{0max} [A]	5.9	10.3	22.5
	Peak torque	M_{0max} [Nm]	9.76	9.96	10.22
	Torque constant	K_{Trms} [Nm/A]	1.86	1.10	0.52
	Voltage constant	K_{Erms} [mVmin]	120	70.6	33.4
	Winding resistance line-line	R_{25} [Ω]	26.6	9.01	1.96
	Winding inductance line-line	L [mH]	53.6	18.5	4.1
Mechanical data					
	Rotor moment of inertia	J [kgcm ²]	0.85		
	Pole number	-	8		
	Static friction torque	M_R [Nm]	0.026		
	Thermal time constant	t_{TH} [min]	20		
	Weight standard	G [kg]	2.9		
	Radial load permitted	F_R [N]	see page (→ # 190)		
	Axial load permitted	F_A [N]	see page (→ # 190)		
Power cable acc. EN60204-1:2006 Table 6, Column B2					
	Minimum cross section	mm ²	1	1	1

* Rated data with reference Aluminum plate 254mm x 254mm x 6.35mm

** Derating:

Brake motor option reduces continuous torque ratings by:

AKM31 = 0.00 Nm

AKM32 = 0.05 Nm

AKM33 = 0.1 Nm

For non-resolver feedback options: no continuous torque reduction.

Motors with non-resolver feedback and brake option, reduce continuous torque by:

AKM31 = 0.0 Nm

AKM32 = 0.1 Nm

AKM33 = 0.2 Nm

For motors with optional shaft seal, reduce torque shown by 0.047 Nm and increase M_R by the same amount.

Brake data for Brake options are listed in chapter "Technical Data Brakes" from (→ # 184) .

7.5 Technical Data AKM4

U _N	Data	Symbol [Unit]	AKM							
			41C	41E	41H	42C	42E	42G	42J	
Electrical data										
	Standstill torque for ΔT winding = 100K*	M ₀ [Nm]**	1.95	2.02	2.06	3.35	3.42	3.53	3.56	
	Standstill current for ΔT winding = 100K	I _{0rms} [A]**	1.46	2.85	5.60	1.40	2.74	4.80	8.40	
	Standstill torque for ΔT winding = 60K*	M ₀ [Nm]**	1.56	1.62	1.65	2.68	2.74	2.82	2.85	
	max. Mains voltage	U _N [VAC]	480							
75VDC	Rated speed	n _n [rpm]	—	—	1000	—	—	—	—	
	Rated torque*	M _n [Nm]	—	—	1.99	—	—	—	—	
	Rated power	P _n [kW]	—	—	0.21	—	—	—	—	
115VAC	Rated speed	n _n [rpm]	—	1200	3000	—	—	—	3000	
	Rated torque*	M _n [Nm]	—	1.94	1.86	—	—	—	3.03	
	Rated power	P _n [kW]	—	0.24	0.58	—	—	—	0.95	
230VAC	Rated speed	n _n [rpm]	1200	3000	6000	—	1800	3500	6000	
	Rated torque*	M _n [Nm]	1.88	1.82	1.62	—	3.12	2.90	2.38	
	Rated power	P _n [kW]	0.24	0.57	1.02	—	0.59	1.06	1.50	
400VAC	Rated speed	n_n [rpm]	3000	6000	—	1500	3500	6000	—	
	Rated torque*	M _n [Nm]	1.77	1.58	—	3.10	2.81	2.35	—	
	Rated power	P _n [kW]	0.56	0.99	—	0.49	1.03	1.48	—	
480VAC	Rated speed	n _n [rpm]	3500	—	—	2000	4000	—	—	
	Rated torque*	M _n [Nm]	1.74	—	—	3.02	2.72	—	—	
	Rated power	P _n [kW]	0.64	—	—	0.63	1.14	—	—	
	Peak current	I _{0max} [A]	5.8	11.4	22.4	5.6	11	19.2	33.6	
	Peak torque	M _{0max} [Nm]	6.12	6.28	6.36	11.3	11.3	11.5	11.6	
	Torque constant	K _{Trms} [Nm/A]	1.34	0.71	0.37	2.40	1.26	0.74	0.43	
	Voltage constant	K _{Erms} [mV/min]	86.3	45.6	23.7	154	80.9	47.5	27.5	
	Winding resistance line-line	R ₂₅ [Ω]	21.3	6.02	1.56	27.5	7.78	2.51	0.80	
	Winding inductance line-line	L [mH]	66.1	18.4	5.0	97.4	26.8	9.2	3.1	
Mechanical data										
	Rotor moment of inertia	J [kgcm ²]	0.81			1.5				
	Pole number	-	10			10				
	Static friction torque	M _R [Nm]	0.014			0.026				
	Thermal time constant	t _{TH} [min]	13			17				
	Weight standard	G [kg]	2.44			3.39				
	Radial load permitted	F _R [N]	(→ # 191)							
	Axial load permitted	F _A [N]	see page (→ # 191)							
Power cable acc. EN60204-1:2006 Table 6, Column B2										
	Minimum cross section	mm ²	1	1	1	1	1	1	1	

* Rated data with reference Aluminum plate 254mm x 254mm x 6.35mm

** Derating:

Brake motor option reduces continuous torque ratings by 0.12Nm:

Non-resolver feedback options reduce continuous torque ratings by:

AKM41 = 0.1 Nm AKM42 = 0.1 Nm AKM43 = 0.2 Nm AKM44 = 0.3 Nm

Motors with non-resolver feedback and brake option, reduce continuous torque by:

AKM41 = 0.22 Nm AKM42 = 0.36 Nm AKM43 = 0.55 Nm AKM44 = 0.76 Nm

For motors with optional shaft seal, reduce torque shown by 0.071 Nm and increase M_R by the same amount.

Brake data for Brake options are listed in chapter "Technical Data Brakes" from (→ # 184).

U _N	Data	Symbol [Units]	AKM					
			43E	43G	43K	44E	44G	44J
Electrical data								
	Standstill torque for ΔT winding = 100K*	M ₀ [Nm]**	4.70	4.80	4.90	5.76	5.88	6.00
	Standstill current for ΔT winding = 100K	I _{0rms} [A]**	2.76	4.87	9.60	2.90	5.00	8.80
	Standstill torque for ΔT winding = 60K*	M ₀ [Nm]**	3.76	3.84	3.92	4.61	4.70	4.80
	max. Mains voltage	U _N [VAC]	480					
75VDC	Rated speed	n _n [rpm]	—	—	—	—	—	—
	Rated torque*	M _n [Nm]	—	—	—	—	—	—
	Rated power	P _n [kW]	—	—	—	—	—	—
115VAC	Rated speed	n _n [rpm]	—	—	2500	—	—	—
	Rated torque*	M _n [Nm]	—	—	4.08	—	—	—
	Rated power	P _n [kW]	—	—	1.07	—	—	—
230VAC	Rated speed	n _n [rpm]	1500	2500	6000	1200	2000	4000
	Rated torque*	M _n [Nm]	4.24	4.00	2.62	5.22	4.90	3.84
	Rated power	P _n [kW]	0.67	1.05	1.65	0.66	1.03	1.61
400VAC	Rated speed	n_n [rpm]	2500	5000	—	2000	4000	6000
	Rated torque*	M _n [Nm]	3.92	3.01	—	4.80	3.76	2.75
	Rated power	P _n [kW]	1.03	1.58	—	1.01	1.57	1.73
480VAC	Rated speed	n _n [rpm]	3000	6000	—	2500	5000	—
	Rated torque*	M _n [Nm]	3.76	2.57	—	4.56	3.19	—
	Rated power	P _n [kW]	1.8	1.61	—	1.19	1.67	—
	Peak current	I _{0max} [A]	11	19.5	38.4	11.4	20	35.2
	Peak torque	M _{0max} [Nm]	15.9	16.1	16.4	19.9	20.3	20.4
	Torque constant	K _{Trms} [Nm/A]	1.72	0.99	0.52	2.04	1.19	0.69
	Voltage constant	K _{Erms} [mVmin]	111	63.9	33.2	132	76.6	44.2
	Winding resistance line-line	R ₂₅ [Ω]	8.61	2.61	0.74	8.08	2.80	0.94
	Winding inductance line-line	L [mH]	32.6	10.8	2.9	33.9	11.5	3.8
Mechanical data								
	Rotor moment of inertia	J [kgcm ²]	2.1		2.7			
	Pole number	-	10		10			
	Static friction torque	M _R [Nm]	0.038		0.05			
	Thermal time constant	t _{TH} [min]	20		24			
	Weight standard	G [kg]	4.35		5.3			
	Radial load permitted	F _R [N]	see page (→ # 191)					
	Axial load permitted	F _A [N]	see page (→ # 191)					
Power cable acc. EN60204-1:2006 Table 6, Column B2								
	Minimum cross section	mm ²	1	1	1	1	1	1

* Rated data with reference flange Aluminium 254mm * 254mm * 6.35mm

** Derating:

Brake motor option reduces continuous torque ratings by 0.12Nm:

Non-resolver feedback options reduce continuous torque ratings by:

AKM41 = 0.1 Nm AKM42 = 0.1 Nm AKM43 = 0.2 Nm AKM44 = 0.3 Nm

Motors with non-resolver feedback and brake option, reduce continuous torque by:

AKM41 = 0.22 Nm AKM42 = 0.36 Nm AKM43 = 0.55 Nm AKM44 = 0.76 Nm

For motors with optional shaft seal, reduce torque shown by 0.071 Nm and increase M_R by the same amount.

Brake data for Brake options are listed in chapter "Technical Data Brakes" from (→ # 184).

7.6 Technical Data AKM5

U _N	Data	Symbol [Unit]	AKM									
			51E	51G	51H	51K	52E	52G	52H	52K	52M	
Electrical data												
	Standstill torque for ΔT winding = 100K*	M ₀ [Nm]**	4.70	4.75	4.79	4.90	8.34	8.43	8.48	8.60	8.60	
	Standstill current for ΔT winding = 100K	I _{0rms} [A]**	2.75	4.84	6	9.4	2.99	4.72	5.9	9.3	13.1	
	Standstill torque for ΔT winding = 60K*	M ₀ [Nm]**	3.76	3.80	3.83	3.92	6.67	6.74	6.78	6.88	6.88	
	max. Mains voltage	U _N [VAC]	480									
115VAC	Rated speed	n _n [rpm]	—	—	—	2500	—	—	—	—	—	
	Rated torque*	M _n [Nm]	—	—	—	4.15	—	—	—	—	—	
	Rated power	P _n [kW]	—	—	—	1.09	—	—	—	—	—	
230VAC	Rated speed	n _n [rpm]	1200	2500	3000	5500	—	1500	1800	3000	4500	
	Rated torque*	M _n [Nm]	4.41	4.02	3.87	2.35	—	7.69	7.53	6.80	5.20	
	Rated power	P _n [kW]	0.55	1.05	1.22	1.35	—	1.21	1.42	2.14	2.45	
400VAC	Rated speed	n _n [rpm]	2500	5000	6000	—	1500	2500	3500	5500	—	
	Rated torque*	M _n [Nm]	3.98	2.62	1.95	—	7.61	7.06	6.26	3.90	—	
	Rated power	P _n [kW]	1.04	1.37	1.23	—	1.20	1.85	2.3	2.25	—	
480VAC	Rated speed	n _n [rpm]	3000	6000	—	—	2000	3000	4000	6000	—	
	Rated torque*	M _n [Nm]	3.80	1.94	—	—	7.28	6.66	5.77	3.25	—	
	Rated power	P _n [kW]	1.19	1.22	—	—	1.52	2.09	2.42	2.04	—	
	Peak current	I _{0max} [A]	8.2	14.5	18	28.2	9	14.2	17.7	27.9	39.4	
	Peak torque	M _{0max} [Nm]	11.6	11.7	11.7	11.9	21.3	21.5	21.6	21.9	21.9	
	Torque constant	K _{Trms} [Nm/A]	1.72	0.99	0.8	0.52	2.79	1.79	1.44	0.93	0.66	
	Voltage constant	K _{Fms} [mVmin]	110	63.6	51.3	33.5	179	115	92.7	60.1	42.4	
	Winding resistance line-line	R ₂₅ [Ω]	8.98	2.87	1.97	0.75	8.96	3.70	2.35	0.96	0.49	
	Winding inductance line-line	L [mH]	36.6	12.1	7.9	3.40	44.7	18.5	11.9	5.00	2.50	
Mechanical data												
	Rotor moment of inertia	J [kgcm ²]	3.4				6.2					
	Pole number	-	10				10					
	Static friction torque	M _R [Nm]	0.022				0.04					
	Thermal time constant	t _{TH} [min]	20				24					
	Weight standard	G [kg]	4.2				5.8					
	Radial load permitted	F _R [N]	see page (→ # 192)									
	Axial load permitted	F _A [N]	see page (→ # 192)									
Power cable acc. EN60204-1:2006 Table 6, Column B2												
	Minimum cross section	mm ²	1	1	1	1	1	1	1	1	1.5	

* Rated data with reference Aluminum plate 305mm x 305mm x 12.7mm

** Derating:

Brake motor option reduces continuous torque ratings by:

AKM51 = 0.15 Nm AKM52 = 0.26 Nm AKM53 = 0.35 Nm AKM54 = 0.43 Nm

Non-resolver feedback options reduce continuous torque ratings by:

AKM51 = 0.15 Nm AKM52 = 0.34 Nm AKM53 = 0.58 Nm AKM54 = 0.86 Nm

Motors with non-resolver feedback and brake option, reduce continuous torque by:

AKM51 = 0.39 Nm AKM52 = 0.76 Nm AKM53 = 1.13 Nm AKM54 = 1.55 Nm

For motors with optional shaft seal, reduce torque shown by 0.13 Nm and increase M_R by the same amount.

Brake data for Brake options are listed in chapter "Technical Data Brakes" from (→ # 184).

U _N	Data	Symbol [Unit]	AKM									
			53G	53H	53K	53M	53P	54G	54H	54K	54L	54N
Electrical data												
	Standstill torque for ΔT winding = 100K*	M ₀ [Nm]**	11.4	11.5	11.6	11.4	11.4	14.3	14.2	14.4	14.1	14.1
	Standstill current for ΔT winding = 100K	I _{0rms} [A]**	4.8	6.6	9.4	13.4	19.1	5.0	5.5	9.7	12.5	17.8
	Standstill torque for ΔT winding = 60K*	M ₀ [Nm]**	9.1	9.2	9.3	9.1	9.1	11.4	11.4	11.5	11.3	11.3
	max. Mains voltage	U _N [VAC]	480									
115VAC	Rated speed	n _n [rpm]	—	—	—	—	—	—	—	—	—	—
	Rated torque*	M _n [Nm]	—	—	—	—	—	—	—	—	—	—
	Rated power	P _n [kW]	—	—	—	—	—	—	—	—	—	—
230VAC	Rated speed	n _n [rpm]	1000	—	2000	3000	5000	1000	1000	1800	2500	3500
	Rated torque*	M _n [Nm]	10.7	—	10.1	8.72	5.88	13.4	13.4	12.7	11.5	9.85
	Rated power	P _n [kW]	1.12	—	2.12	2.74	3.08	1.40	1.40	2.39	3.00	3.61
400VAC	Rated speed	n_n [rpm]	2000	3000	4000	—	—	1500	1800	3500	4500	—
	Rated torque*	M _n [Nm]	9.85	8.83	7.65	—	—	12.9	12.6	10.0	8.13	—
	Rated power	P _n [kW]	2.06	2.77	3.20	—	—	2.03	2.38	3.68	3.83	—
480VAC	Rated speed	n _n [rpm]	2400	3500	4500	—	—	2000	2000	4000	—	—
	Rated torque*	M _n [Nm]	9.50	8.23	6.85	—	—	12.3	12.2	9.25	—	—
	Rated power	P _n [kW]	2.39	3.02	3.23	—	—	2.57	2.56	3.87	—	—
	Peak current	I _{0max} [A]	14.3	19.8	28.2	40.2	57.4	15	16.5	29.2	37.5	53.4
	Peak torque	M _{0max} [Nm]	29.7	30.0	30.3	29.7	29.8	38	37.5	38.4	37.5	37.6
	Torque constant	K _{Trms} [Nm/A]	2.39	1.75	1.24	0.85	0.60	2.88	2.57	1.50	1.13	0.80
	Voltage constant	K _{Erms} [mVmin]	154	112	79.8	54.7	38.4	185	166	96.6	72.9	51.3
	Winding resistance line-line	R ₂₅ [Ω]	3.97	2.1	1.06	0.51	0.28	4.08	3.2	1.08	0.65	0.33
	Winding inductance line-line	L [mH]	21.3	11.4	5.70	2.70	1.30	22.9	18.3	6.20	3.50	1.80
Mechanical data												
	Rotor moment of inertia	J [kgcm ²]	9.1					12				
	Pole number	-	10					10				
	Static friction torque	M _R [Nm]	0.058					0.077				
	Thermal time constant	t _{TH} [min]	28					31				
	Weight standard	G [kg]	7.4					9				
	Radial load permitted	F _R [N]	see page (→ # 192)									
	Axial load permitted	F _A [N]	see page (→ # 192)									
Power cable acc. EN60204-1:2006 Table 6, Column B2												
	Minimum cross section	mm ²	1	1	1	2.5	4	1	1	1	1.5	4

* Rated data with reference Aluminum plate 305mm x 305mm x 12.7mm

** Derating:

Brake motor option reduces continuous torque ratings by:

AKM51 = 0.15 Nm AKM52 = 0.26 Nm AKM53 = 0.35 Nm AKM54 = 0.43 Nm

Non-resolver feedback options reduce continuous torque ratings by:

AKM51 = 0.15 Nm AKM52 = 0.34 Nm AKM53 = 0.58 Nm AKM54 = 0.86 Nm

Motors with non-resolver feedback and brake option, reduce continuous torque by:

AKM51 = 0.39 Nm AKM52 = 0.76 Nm AKM53 = 1.13 Nm AKM54 = 1.55 Nm

For motors with optional shaft seal, reduce torque shown by 0.13 Nm and increase M_R by the same amount.

Brake data for Brake options are listed in chapter "Technical Data Brakes" from (→ # 184).

7.7 Technical Data AKM6

U _N	Data	Symbol [Unit]	AKM							
			62G	62K	62M	62P	63G	63K	63M	63N
Electrical data										
	Standstill torque for ΔT winding = 100K*	M ₀ [Nm]**	11.9	12.2	12.2	12.3	16.5	16.8	17.0	17.0
	Standstill current for ΔT winding = 100K	I _{0rms} [A]**	4.9	9.6	13.4	18.8	4.5	9.9	13.8	17.4
	Standstill torque for ΔT winding = 60K*	M ₀ [Nm]**	9.5	9.8	9.8	9.8	13.2	13.4	13.6	13.6
	max. Mains voltage	U _N [VAC]	480							
230VAC	Rated speed	n _n [rpm]	—	2000	3000	4500	—	1500	2000	3000
	Rated torque*	M _n [Nm]	—	10.4	9.50	8.10	—	14.9	14.3	13.0
	Rated power	P _n [kW]	—	2.18	2.98	3.82	—	2.34	2.99	4.08
400VAC	Rated speed	n_n [rpm]	1800	3500	6000	—	1200	3000	4000	5000
	Rated torque*	M _n [Nm]	10.4	9.00	5.70	—	14.9	12.9	11.3	9.60
	Rated power	P _n [kW]	1.96	3.30	3.58	—	1.87	4.05	4.73	5.03
480VAC	Rated speed	n _n [rpm]	2000	4500	—	—	1500	3500	4500	6000
	Rated torque*	M _n [Nm]	10.2	8.00	—	—	14.6	12.0	10.5	7.00
	Rated power	P _n [kW]	2.14	3.77	—	—	2.29	4.40	4.95	4.40
	Peak current	I _{0max} [A]	14.7	28.8	40.3	56.4	13.5	29.7	41.4	52.2
	Peak torque	M _{0max} [Nm]	29.7	30.2	30.2	30.3	42.1	42.6	43.0	43.0
	Torque constant	K _{Trms} [Nm/A]	2.47	1.28	0.91	0.66	3.70	1.71	1.24	0.98
	Voltage constant	K _{Frms} [mV/min]	159	82.1	58.8	42.2	238	110	79.9	63.3
	Winding resistance line-line	R ₂₅ [Ω]	4.13	1.08	0.57	0.30	5.50	1.14	0.61	0.39
	Winding inductance line-line	L [mH]	31.7	8.5	4.4	2.2	43.5	9.3	4.9	3.1
Mechanical data										
	Rotor moment of inertia	J [kgcm ²]	17				24			
	Pole number	-	10				10			
	Static friction torque	M _R [Nm]	0.05				0.1			
	Thermal time constant	t _{TH} [min]	20				25			
	Weight standard	G [kg]	8.9				11.1			
	Radial load permitted	F _R [N]	see page (→ # 193)							
	Axial load permitted	F _A [N]	see page (→ # 193)							
Power cable acc. EN60204-1:2006 Table 6, Column B2										
	Minimum cross section	mm ²	1	1	2.5	4	1	1	2.5	2.5

* Rated data with reference Aluminum plate 457mm x 457mm x 12.7mm

** Derating:

Brake motor option reduces continuous torque ratings by:

AKM62 = 0.5 Nm AKM63 = 0.9 Nm AKM64 = 1.3 Nm AKM65 = 1.7 Nm

Non-resolver feedback options reduce continuous torque ratings by:

AKM62 = 0.9 Nm AKM63 = 1.2 Nm AKM64 = 1.5 Nm AKM65 = 1.8 Nm

Motors with non-resolver feedback and brake option, reduce continuous torque by:

AKM62 = 1.6 Nm AKM63 = 2.4 Nm AKM64 = 3.1 Nm AKM65 = 4.0 Nm

For motors with optional shaft seal, reduce torque shown by 0.25 Nm and increase M_R by the same amount.

Brake data for Brake options are listed in chapter "Technical Data Brakes" from (→ # 184) .

U _N	Data	Symbol [Unit]	AKM							
			64K	64L	64P	64Q	65K	65M	65N	65P
Electrical data										
	Standstill torque for ΔT winding = 100K*	M ₀ [Nm]**	20.8	21.0	20.4	20	24.8	25.0	24.3	24.5
	Standstill current for ΔT winding = 100K	I _{0rms} [A]**	9.2	12.8	18.6	20.7	9.8	13.6	17.8	19.8
	Standstill torque for ΔT winding = 60K*	M ₀ [Nm]**	16.6	16.8	16.3	16.0	19.8	20.0	19.4	19.6
	max. Mains voltage	U _N [VAC]	480							
230VAC	Rated speed	n _n [rpm]	1200	1500	2500	3000	1000	1500	2000	2400
	Rated torque*	M _n [Nm]	18.8	18.4	16.0	15.3	22.8	21.9	19.8	19.1
	Rated power	P _n [kW]	2.36	2.89	4.19	4.81	2.39	3.44	4.15	4.8
400VAC	Rated speed	n_n [rpm]	2000	3000	4500	5000	2000	2700	3500	4000
	Rated torque*	M _n [Nm]	17.2	15.6	11.9	10.7	20.2	18.8	16.0	14.9
	Rated power	P _n [kW]	3.60	4.90	5.62	6.45	4.23	5.32	5.86	6.24
480VAC	Rated speed	n _n [rpm]	2500	3500	5500	6000	2200	3000	4000	5000
	Rated torque*	M _n [Nm]	16.3	14.4	9.00	7.4	19.7	18.1	14.7	11.6
	Rated power	P _n [kW]	4.27	5.28	5.18	4.65	4.54	5.69	6.16	6.08
	Peak current	I _{0max} [A]	27.6	38.4	55.9	62.1	29.4	40.8	53.4	59.3
	Peak torque	M _{0max} [Nm]	53.5	54.1	52.9	53.2	64.5	65.2	63.7	64.1
	Torque constant	K _{Trms} [Nm/A]	2.28	1.66	1.10	1	2.54	1.85	1.38	1.3
	Voltage constant	K _{Frms} [mVmin]	147	107	71.0	64.4	164	119	88.8	80.5
	Winding resistance line-line	R ₂₅ [Ω]	1.41	0.75	0.36	0.30	1.35	0.73	0.43	0.37
	Winding inductance line-line	L [mH]	11.8	6.2	2.8	1.9	11.4	6.1	3.4	2.8
Mechanical data										
	Rotor moment of inertia	J [kgcm ²]	32				40			
	Pole number	-	10				10			
	Static friction torque	M _R [Nm]	0.15				0.2			
	Thermal time constant	t _{TH} [min]	30				35			
	Weight standard	G [kg]	13.3				15.4			
	Radial load permitted	F _R [N]	see page (→ # 193)							
	Axial load permitted	F _A [N]	see page (→ # 193)							
Power cable acc. EN60204-1:2006 Table 6, Column B2										
	Minimum cross section	mm ²	1	1.5	4	4	1	2.5	4	4

* Rated data with reference Aluminum plate 457mm x 457mm x 12.7mm

** Derating:

Brake motor option reduces continuous torque ratings by:

AKM62 = 0.5 Nm AKM63 = 0.9 Nm AKM64 = 1.3 Nm AKM65 = 1.7 Nm

Non-resolver feedback options reduce continuous torque ratings by:

AKM62 = 0.9 Nm AKM63 = 1.2 Nm AKM64 = 1.5 Nm AKM65 = 1.8 Nm

Motors with non-resolver feedback and brake option, reduce continuous torque by:

AKM62 = 1.6 Nm AKM63 = 2.4 Nm AKM64 = 3.1 Nm AKM65 = 4.0 Nm

For motors with optional shaft seal, reduce torque shown by 0.25 Nm and increase M_R by the same amount.

Brake data for Brake options are listed in chapter "Technical Data Brakes" from (→ # 184) .

7.8 Technical Data AKM7 without fan

U _N	Data	Symbol [Unit]	AKM									
			72K	72M	72P	72Q	73M	73P	73Q***	74L	74P	74Q***
Electrical data												
	Standstill torque for ΔT winding = 100K*	M ₀ [Nm]**	29.7	30.0	29.4	29.5	42.0	41.6	41.5	53.0	52.5	52.2
	Standstill current for ΔT winding = 100K	I _{0rms} [A]**	9.3	13.0	18.7	23.5	13.6	19.5	24.5	12.9	18.5	26.1
	Standstill torque for ΔT winding = 60K*	M ₀ [Nm]**	23.8	24.0	23.5	23.6	33.6	33.3	33.2	42.4	42.0	41.8
	max. Mains voltage	U _N [VAC]	480									
230VAC	Rated speed	n _n [rpm]	—	—	1800	2000	—	1300	1500	—	—	1300
	Rated torque*	M _n [Nm]	—	—	23.8	23.2	—	34.7	33.4	—	—	41.9
	Rated power	P _n [kW]	—	—	4.49	4.86	—	4.72	5.25	—	—	5.71
400VAC	Rated speed	n_n [rpm]	1500	2000	3000	4000	1500	2400	3000	1200	1800	2500
	Rated torque*	M _n [Nm]	25.1	23.6	20.1	16.3	33.8	28.5	25.2	43.5	39.6	31.5
	Rated power	P _n [kW]	3.94	4.94	6.31	6.83	5.31	7.16	7.92	5.47	7.46	8.25
480VAC	Rated speed	n _n [rpm]	1800	2500	3500	4500	1800	2800	3500	1400	2000	3000
	Rated torque*	M _n [Nm]	24.0	22.1	18.2	14.1	32.1	26.3	22	41.5	35.9	27.3
	Rated power	P _n [kW]	4.52	5.79	6.67	6.65	6.05	7.71	8.07	6.08	7.52	8.58
	Peak current	I _{0max} [A]	27.9	39	56.1	70.5	40.8	58.6	73.5	38.7	55.5	78.3
	Peak torque	M _{0max} [Nm]	79.4	79.8	78.5	78.4	112	111	111	143	142	141
	Torque constant	K _{Trms} [Nm/A]	3.23	2.33	1.58	1.3	3.10	2.13	1.7	4.14	2.84	2
	Voltage constant	K _{Frms} [mV/min]	208	150	102	81.2	200	137	109	266	183	129
	Winding resistance line-line	R ₂₅ [Ω]	1.36	0.69	0.35	0.26	0.76	0.38	0.27	0.93	0.47	0.26
	Winding inductance line-line	L [mH]	20.7	10.8	5.0	3.2	12.4	5.9	3.7	16.4	7.7	3.8
Mechanical data												
	Rotor moment of inertia	J [kgcm ²]	65			92			120			
	Pole number	-	10			10			10			
	Static friction torque	M _R [Nm]	0.16			0.24			0.33			
	Thermal time constant	t _{TH} [min]	46			53			60			
	Weight standard	G [kg]	19.7			26.7			33.6			
	Radial load permitted	F _R [N]	see page (→ # 194)									
	Axial load permitted	F _A [N]	see page (→ # 194)									
Power cable acc. EN60204-1:2006 Table 6, Column B2												
	Minimum cross section	mm ²	1	1.5	4	6	2.5	4	6	1.5	4	6

* Rated data with reference Aluminum plate 457mm x 457mm x 12.7mm

** Derating:

Brake motor option reduces continuous torque ratings by 1Nm.

Non-resolver feedback options reduce continuous torque ratings by:

AKM72 = 2.0 Nm

AKM73 = 2.7 Nm

AKM74 = 3.4 Nm

Motors with non-resolver feedback and brake option, reduce continuous torque by:

AKM72 = 3.9 Nm

AKM73 = 5.1 Nm

AKM74 = 6.2 Nm

For motors with optional shaft seal, reduce torque shown by 0.25 Nm and increase M_R by the same amount.

*** Technical data with connector option H. In case of using the connector option C the standstill current is limited to 23,5A.

Brake data for Brake options are listed in chapter "Technical Data Brakes" from (→ # 184).

7.9 Technical Data AKM7 with fan

U_N	Data	Symbol [Unit]	AKM			
			72K	72M	72P***	72Q***
Electrical data						
	Standstill torque for ΔT winding = 100K*	M_0 [Nm]**	38.6	39.0	38.2	38.3
	Standstill current for ΔT winding = 100K	I_{0rms} [A]**	12.1	16.9	24.3	30.5
	Standstill torque for ΔT winding = 60K*	M_0 [Nm]**	30.9	31.2	30.6	30.6
	max. Mains voltage	U_N [VAC]	480			
230VAC	Rated speed	n_n [rpm]	—	—	1800	2000
	Rated torque*	M_n [Nm]	—	—	30.9	30.7
	Rated power	P_n [kW]	—	—	5.83	6.43
400VAC	Rated speed	n_n [rpm]	1500	2000	3000	4000
	Rated torque*	M_n [Nm]	32.6	30.7	26.1	21.6
	Rated power	P_n [kW]	5.13	6.43	8.20	9.05
480VAC	Rated speed	n_n [rpm]	1800	2500	3500	4500
	Rated torque*	M_n [Nm]	31.2	28.7	23.7	18.7
	Rated power	P_n [kW]	5.88	7.52	8.69	8.82
	Peak current	I_{0max} [A]	27.9	39	56.1	70.5
	Peak torque	M_{0max} [Nm]	79.4	79.8	78.5	78.4
	Torque constant	K_{Trms} [Nm/A]	3.23	2.33	1.58	1.3
	Voltage constant	K_{Erms} [mVmin]	208	150	102	81.2
	Winding resistance line-line	R_{25} [Ω]	1.36	0.69	0.35	0.26
	Winding inductance line-line	L [mH]	20.7	10.8	5.0	3.2
Mechanical data						
	Rotor moment of inertia	J [kgcm ²]	65			
	Pole number	-	10			
	Static friction torque	M_R [Nm]	0.16			
	Thermal time constant	t_{TH} [min]	46			
	Weight	G [kg]	19.7			
	Radial load permitted	F_R [N]	see page (→ # 195)			
	Axial load permitted	F_A [N]	see page (→ # 195)			
Power cable acc. EN60204-1:2006 Table 6, Column B2						
	Minimum cross section	mm ²	1.5	2.5	6	10

* Rated data with reference Aluminum plate 457mm x 457mm x 12.7mm

** Derating:

Brake motor option reduces continuous torque ratings by 1Nm.

Non-resolver feedback options reduce continuous torque ratings by:

AKM72 = 2.0 Nm

AKM73 = 2.7 Nm

AKM74 = 3.4 Nm

Motors with non-resolver feedback and brake option, reduce continuous torque by:

AKM72 = 3.9 Nm

AKM73 = 5.1 Nm

AKM74 = 6.2 Nm

For motors with optional shaft seal, reduce torque shown by 0.25 Nm and increase M_R by the same amount.

*** Technical data with connector option H. In case of using the connector option C the standstill current is limited to 23,5A.

Brake data for Brake options are listed in chapter "Technical Data Brakes" from (→ # 184).

Fan data

Operating voltage	U_{FAN} [VDC]	24 ± 10 %	Operating current	I_{FAN} [mA]	270
Electrical power	P_{FAN} [W]	6.5	Weight of the FAN kit	G_{FAN} [kg]	2.5
Cable outer diameter	[mm]	4 to 6	Clamping range terminals	[mm ²]	0.33 to 4

A 10 mm cable bushing is built into the fan housing. Connection cable is not part of delivery.

U _N	Data	Symbol [Unit]	AKM					
			73M	73P***	73Q***	74L	74P***	74Q***
Electrical data								
	Standstill torque for ΔT winding = 100K*	M ₀ [Nm]**	54.6	52.2	53.9	68.9	68.3	67.8
	Standstill current for ΔT winding = 100K	I _{0rms} [A]**	17.7	24.5	31.9	16.8	24.1	34.0
	Standstill torque for ΔT winding = 60K*	M ₀ [Nm]**	43.7	41.8	43.1	55.1	54.6	54.2
	max. Mains voltage	U _N [VAC]	480					
230VAC	Rated speed	n _n [rpm]	—	1300	1500	—	—	1300
	Rated torque*	M _n [Nm]	—	45.1	43.9	—	—	55.3
	Rated power	P _n [kW]	—	6.14	6.9	—	—	7.53
400VAC	Rated speed	n_n [rpm]	1500	2400	3000	1200	1800	2500
	Rated torque*	M _n [Nm]	42.5	37.1	33.2	56.6	51.5	41.6
	Rated power	P _n [kW]	6.67	9.33	10.43	7.11	9.70	10.89
480VAC	Rated speed	n _n [rpm]	1800	2800	3500	1400	2000	3000
	Rated torque*	M _n [Nm]	40.3	34.2	28.9	54.0	46.7	36.0
	Rated power	P _n [kW]	7.60	10.02	10.60	7.92	9.78	11.31
	Peak current	I _{0max} [A]	40.8	58.6	73.5	38.7	55.5	78.3
	Peak torque	M _{0max} [Nm]	112	111	111	143	142	141
	Torque constant	K _{Trms} [Nm/A]	3.10	2.13	1.7	4.14	2.84	2.0
	Voltage constant	K _{Frms} [mVmin]	200	137	109	266	183	129
	Winding resistance line-line	R ₂₅ [Ω]	0.76	0.38	0.27	0.93	0.47	0.26
	Winding inductance line-line	L [mH]	12.4	5.9	3.7	16.4	7.7	3.8
Mechanical data								
	Rotor moment of inertia	J [kgcm ²]	92			120		
	Pole number	-	10			10		
	Static friction torque	M _R [Nm]	0.24			0.33		
	Thermal time constant	t _{TH} [min]	53			60		
	Weight	G [kg]	26.7			33.6		
	Radial load permitted	F _R [N]	see page (→ # 195)					
	Axial load permitted	F _A [N]	see page (→ # 195)					
Power cable acc. EN60204-1:2006 Table 6, Column B2								
	Minimum cross section	mm ²	4	6	10	2.5	6	10

* Rated data with reference Aluminum plate 457mm x 457mm x 12.7mm

** Derating:

Brake motor option reduces continuous torque ratings by 1Nm.

Non-resolver feedback options reduce continuous torque ratings by:

AKM72 = 2.0 Nm

AKM73 = 2.7 Nm

AKM74 = 3.4 Nm

Motors with non-resolver feedback and brake option, reduce continuous torque by:

AKM72 = 3.9 Nm

AKM73 = 5.1 Nm

AKM74 = 6.2 Nm

For motors with optional shaft seal, reduce torque shown by 0.25 Nm and increase M_R by the same amount.

*** Technical data with connector option H. In case of using the connector option C the standstill current is limited to 23,5A.

Brake data for Brake options are listed in chapter "Technical Data Brakes" from (→ # 184) .

Fan data

Operating voltage	U _{FAN} [VDC]	24 ± 10 %		Operating current	I _{FAN} [mA]	270
Electrical power	P _{FAN} [W]	6.5		Weight of the FAN kit	G _{FAN} [kg]	2.5
Cable outer diameter	[mm]	4 to 6		Clamping range terminals	[mm ²]	0.33 to 4

A 10 mm cable bushing is built into the fan housing. Connection cable is not part of delivery.

7.10 Technical Data AKM8

U _N	Data	Symbol [Unit]	AKM			
			82T	83T	83V	84T
Electrical data						
	Standstill torque for ΔT winding = 100K*	M ₀ [Nm]**	75	130	130	180
	Standstill current for ΔT winding = 100K	I _{0rms} [A]**	48	62	88	67
	Standstill torque for ΔT winding = 60K*	M ₀ [Nm]**	60	104	104	144
	max. Mains voltage	U _N [VAC]	480			
230VAC	Rated speed	n _n [rpm]	—	—	—	—
	Rated torque*	M _n [Nm]	—	—	—	—
	Rated power	P _n [kW]	—	—	—	—
400VAC	Rated speed	n_n [rpm]	2500	2200	3000	1800
	Rated torque*	M _n [Nm]	47.5	70	65	105
	Rated power	P _n [kW]	12.4	16.1	20.4	19.8
480VAC	Rated speed	n _n [rpm]	3000	2500	—	2000
	Rated torque*	M _n [Nm]	38	60	—	93
	Rated power	P _n [kW]	11.9	15.7	—	19.5
	Peak current	I _{0max} [A]	240	310	264	335
	Peak torque	M _{0max} [Nm]	210	456	299	668
	Torque constant	K _{Trms} [Nm/A]	1.6	2.1	1.5	2.7
	Voltage constant	K _{Frms} [mV/min]	108	141	92	177
	Winding resistance line-line	R ₂₅ [Ω]	0.092	0.061	0.030	0.058
	Winding inductance line-line	L [mH]	2.73	2.36	1.18	2.5
Mechanical data						
	Rotor moment of inertia	J [kgcm ²]	172	334	334	495
	Pole number	-	10			
	Static friction torque	M _R [Nm]	1.7	1.83	1.0	2.34
	Thermal time constant	t _{TH} [min]	71	94	94	116
	Weight standard	G [kg]	49	73	73	97
	Radial load permitted	F _R [N]	(→ # 197)			
	Axial load permitted	F _A [N]	(→ # 197)			
Power cable acc. EN60204-1:2006 Table 6, Column B2						
	Minimum cross section	mm ²	16	25	35	25

* Rated data with reference Aluminum plate 457mm x 457mm x 12.7mm

** Derating:

Brake motor option reduces continuous torque ratings by 6Nm.

Non-resolver feedback options reduce continuous torque ratings by:

AKM82 = 9.0 Nm

AKM83 = 6.0 Nm

AKM84 = 18.0 Nm

Motors with non-resolver feedback and brake option, reduce continuous torque by:

AKM82 = 17.0 Nm

AKM83 = 16.0 Nm

AKM84 = 28.0 Nm

Brake data for Brake options are listed in chapter "Technical Data Brakes" from (→ # 184).

7.11 Technical Data Brakes

FAILSAFE, HOLDING BRAKE

The holding brake is designed to provide static holding torque to the motor shaft with the brake coil de-energized. The brake must first be released (coil energized) prior to commanding motor rotation as determined by its drop-out time. The brake is intended for holding or “parking” of a stationary motor. It is not intended for dynamic braking. There should be absolutely no motion of the rotor when power is removed from the brake coil.

It may be used for a limited number of emergency stop conditions, however such use will eventually cause wear, leading to eventual malfunction of the brake. Number of emergency stops strongly depends on applied load. Contact Kollmorgen for proper calculation of energy what needs to be absorbed during emergency stops in application.

Contamination of the motor internal compartment by oil or other foreign materials will result in failure of the brake. Check the suitability of motor sealing for the working environment.

Motor Family	-	AKM1	AKM2	AKM3	AKM4	AKM5	AKM6	AKM7	AKM8	Notes
Nominal Operating Voltage	VDC ±10%	24								
Minimum Dry Static Torque, 120°C	Nm	0,41	1,42	2,5	5,3	14,5	25,0	53,0	150,0	1
Maximum Speed	rpm	8000	8000	8000	6000	6000	4750	4000	3500	
Maximum acceleration	rad/s ²	167000	84500	60000	37000	15400	6800	5800	6700	11,12
Coil Resistance, 25°C	Ω ±7%	89,9	68,5	56,9	45,2	29,6	22,4	16,2	11,7	
Maximum Release Voltage (New Brake)	VDC	18								2,14
Minimum Re-Engage Voltage (New Brake)	VDC	≥0,8	≥1,5							3,14
Current @24V, 25°C	ADC	0,27	0,35	0,42	0,53	0,81	1,07	1,48	2,05	10
Maximum Release Current (New Brake), 25°C	ADC	0,20	0,26	0,32	0,40	0,61	0,80	1,11	1,54	14
Power Consumption @24V, 25°C	Watt ±7%	6,4	8,4	10,1	12,8	19,5	25,7	35,6	49,0	
Response (Engage/Closing) Time	ms	22	36	20	30	30	40	70	100	6,8,9
Release (Opening) Time	ms	45	45	50	75	115	155	170	300	6,7
Maximum Backlash	deg.	1,15	1,01	1,01	0,81	0,71	0,51	0,44	0,44	4,5,12
Typical Backlash	deg.	0,53	0,46	0,46	0,37	0,31	0,24	0,20	0,20	4,5,12
Friction Disc Inertia	kg.cm ²	0,0013	0,014	0,014	0,090	0,214	0,717	2,460	5,530	
Weight	kg	0,18	0,27	0,35	0,63	1,10	2,00	2,90	8,00	
B _{10d}	-	20.000.000			15.000.000					13
Temperature Range	°C	+5°C to 120°C								
Number of springs	-	5	8	12	10	14	13	20 one type + 6 second type	14	

Notes:

Note 1: Minimum Dry Static Torque - max. torque that can be applied to a brake without the risk of slipping.

Note 2: Maximum Release Voltage - value of voltage where the brake is 100% OPEN. The brake is mounted inside of the motor.

Note 3: Minimum Re-Engage Voltage - value of voltage where the brake is 100% CLOSED. The brake is mounted inside of the motor.

Note 4: Backlash - amount of clearance, or free rotation, from a point based in one direction to a point in the opposite direction with torque applied, between the drive connection of the brake to the motor shaft. 25% of the rated torque of the brake can be applied during the backlash measurement.

Note 5: Maximum Backlash is calculated using worst-case tolerancing, and typical backlash is calculated using statistical tolerancing.

Note 6: Release and response times measured on standalone brakes with Kollmorgen AKD drive. Release/Response Time of the brake measured with a diode and a transistor in power supply circuit.

Note 7: Brake release time, i.e. the time for the brake to release when the power is applied to the brake, is fairly consistent regardless of how the brake is switched.

Note 8: Brake response time, i.e. the time taken for the brake to re-engage when the power is cut if the circuit contains any form of arc suppression over the switching, then the decay circuit within the brake, when the power is cut, will be prolonged.

Note 9: Cutting the brake supply on the 'dc' side, i.e. a clean cut in the brake supply at the brake connection, will give the fastest possible switching.

Note 10: Current of the brake is calculated from nominal voltage and nominal resistance at 25°C

Note 11: Acceleration calculated from maximum acceleration of Kollmorgen AKM motor with the brake without external load.

Note 12: Brake is able to perform 50.000.000 reverse cycles with maximum acceleration and backlash up to 0.8°.

Note 13: B_{10d} is number of operations where 10% of the sample would fail to danger.

Note 14: New brake - brake mounted in the motor without previous usage. Parameters could be influenced by number of emergency stops absorbed by brake during lifetime.

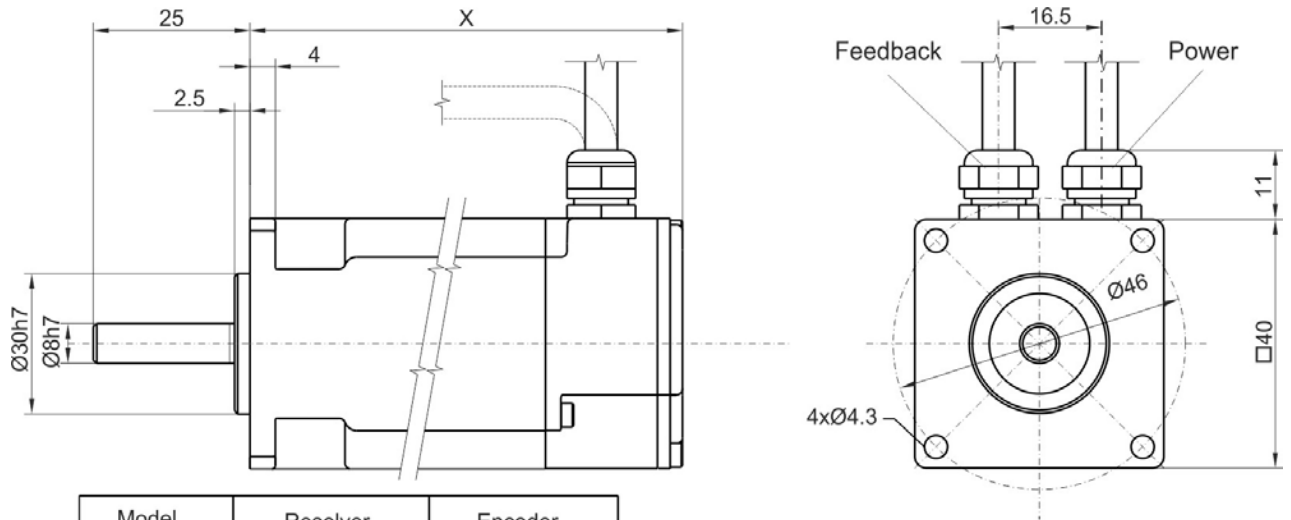
8 Dimension drawings

All drawings in this chapter are drawings in principle (not scaled). 3D Models are available from www.kollmorgen.com.

8.1 Dimensions/Radial Forces AKM1 (Ax flanges)	187
8.2 Dimensions/Radial Forces AKM2 (Ax flanges)	189
8.3 Dimensions/Radial Forces AKM3 (Ax flanges)	190
8.4 Dimensions/Radial Forces AKM4 (Ax flanges)	191
8.5 Dimensions/Radial Forces AKM5 (Ax flanges)	192
8.6 Dimensions/Radial Forces AKM6 (Ax flanges)	193
8.7 Dimensions/Radial Forces AKM7 (Ax flanges)	194
8.8 Dimensions/Radial Forces AKM8 (Ax flanges)	197

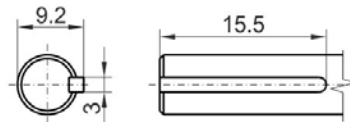
8.1 Dimensions/Radial Forces AKM1 (Ax flanges)

Dimensions with cable connection

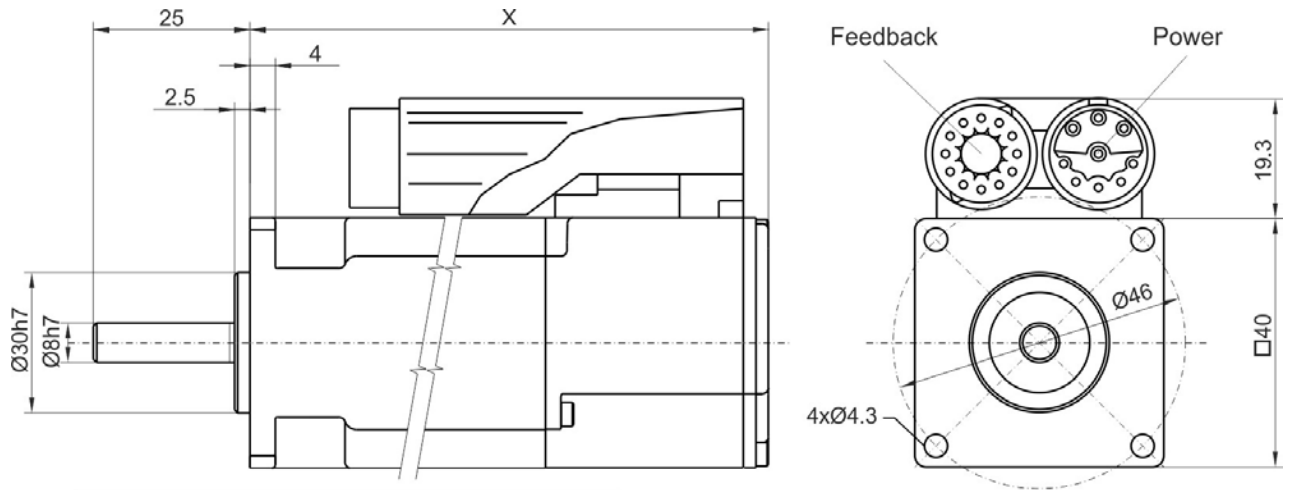


Model	Resolver		Encoder	
	no brake	brake	no brake	brake
x (cable)				
AKM11	69.6	115.6	88.5	125.0
AKM12	88.6	134.6	107.5	144.0
AKM13	107.6	153.6	126.5	163.0

Option Keyway

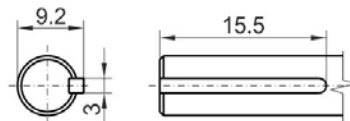


Dimensions with Y-TEC connectors

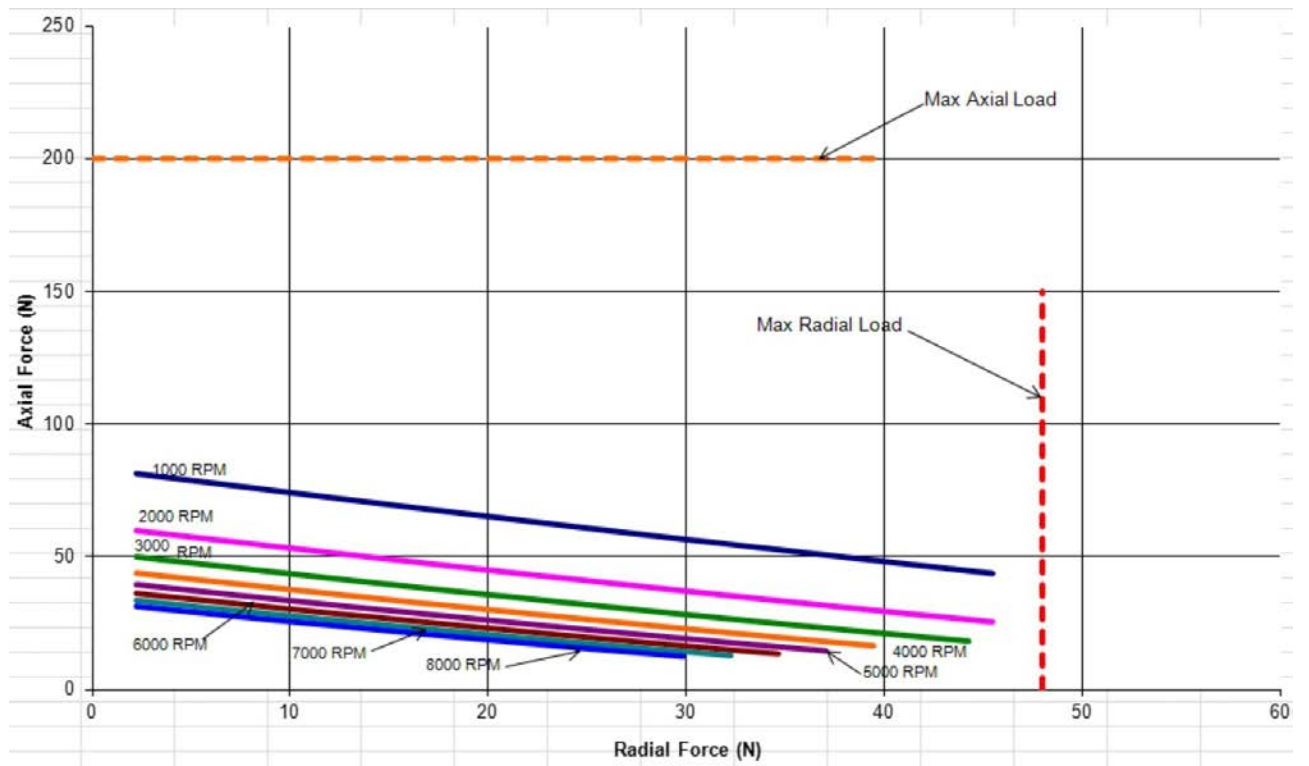


Model	Resolver		Encoder	
	no brake	brake	no brake	brake
x (y-tec)				
AKM11	79.1	115.6	88.5	125.0
AKM12	98.1	134.6	107.5	144.0
AKM13	117.1	153.6	126.5	163.0

Option Keyway

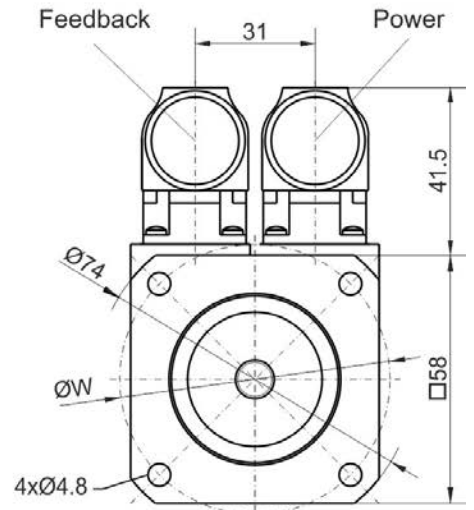
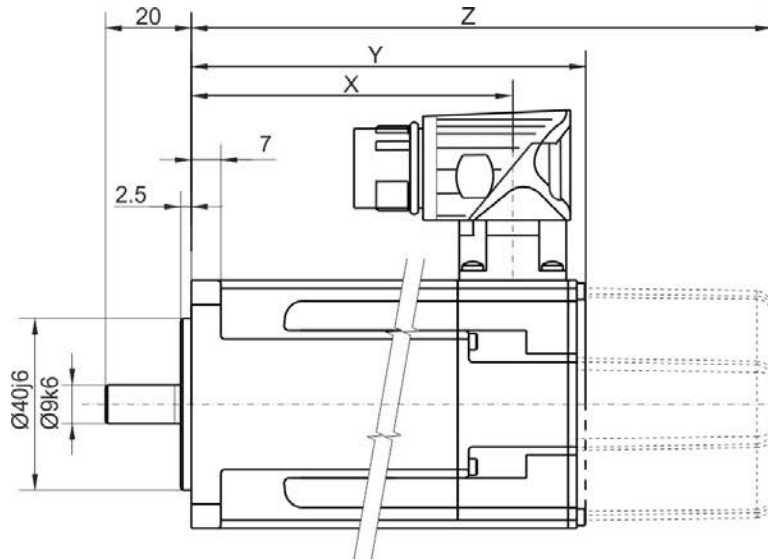


Radial/axial forces at shaft end



8.2 Dimensions/Radial Forces AKM2 (Ax flanges)

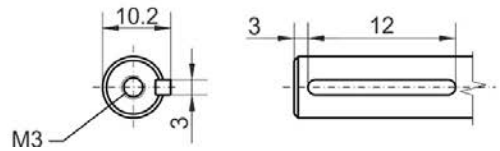
Dimensions with SpeedTec Ready connectors



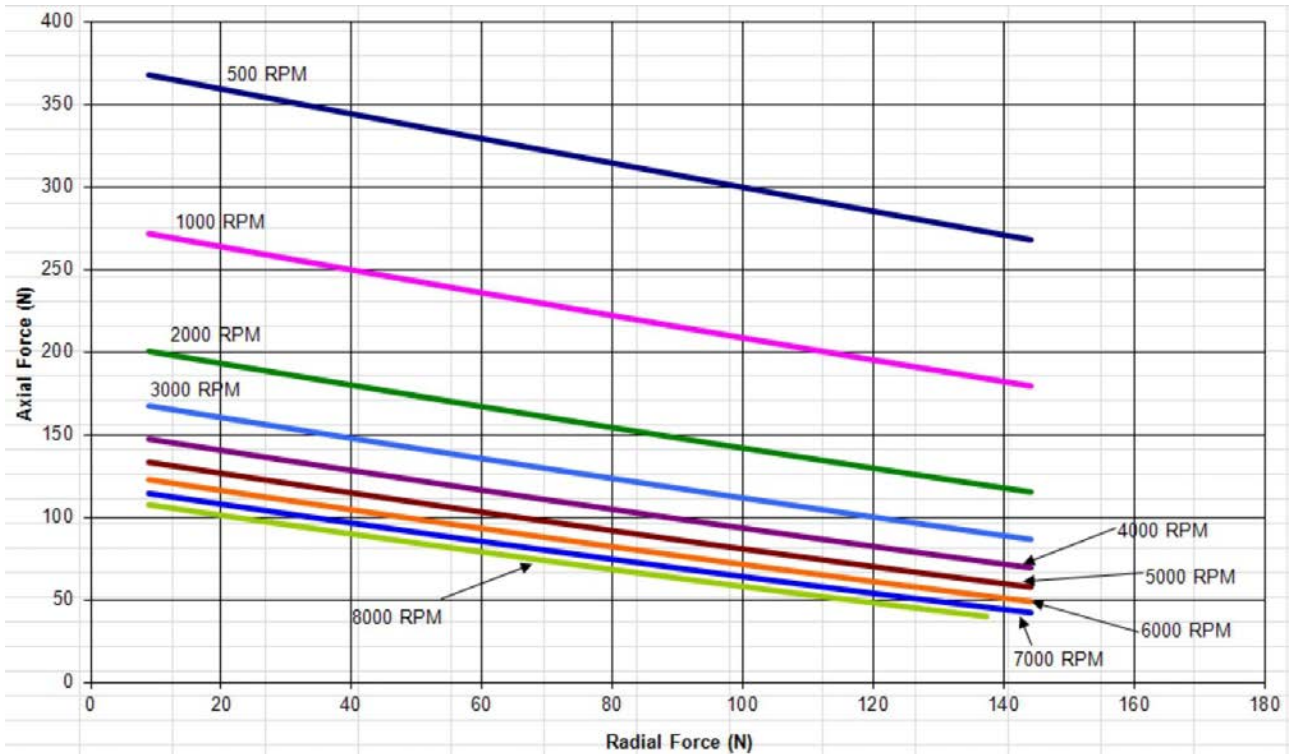
AKM2xx-Ax: ØW = Ø63mm
AKM2xx-Dx: ØW = Ø65mm

Model	X	Res/SFD/BiSS/EnDat		Hiperface	
		Y	Z (brake)	Y	Z (brake)
AKM21	76.1	95.4	129.5	113.4	147.1
AKM22	95.1	114.4	148.5	132.4	166.1
AKM23	114.1	133.4	167.5	151.4	185.1
AKM24	133.1	152.4	186.5	170.4	204.1

Option Keyway

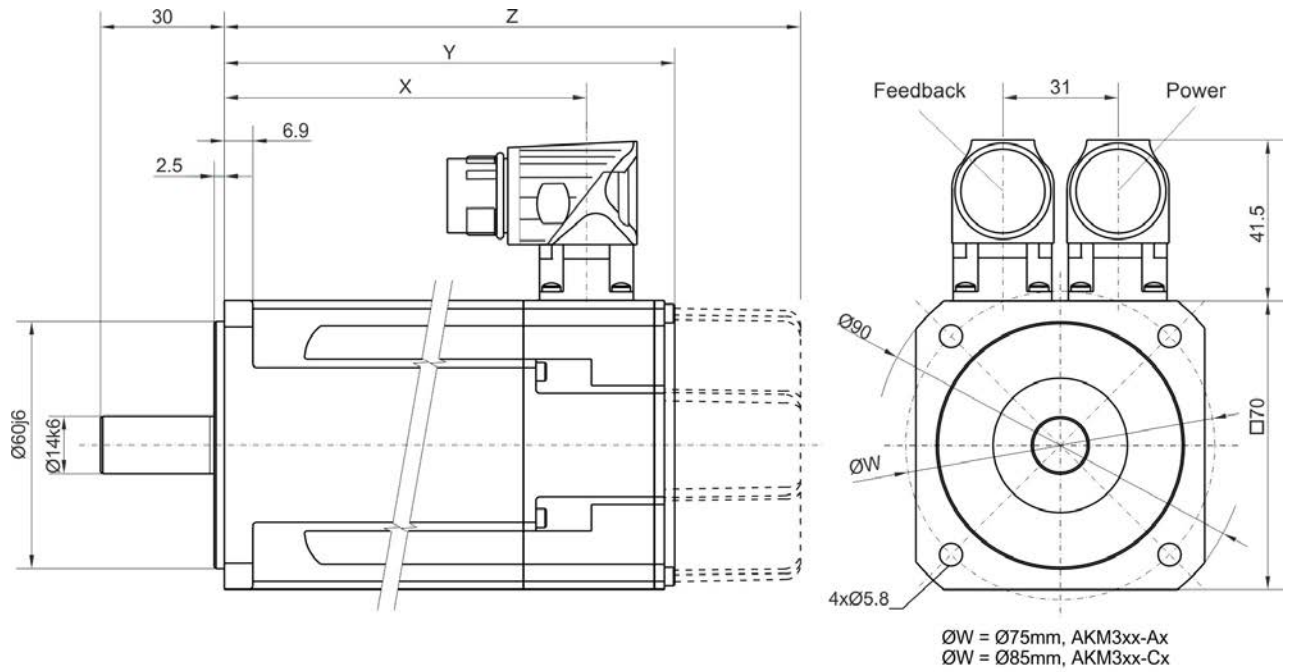


Radial/axial forces at shaft end

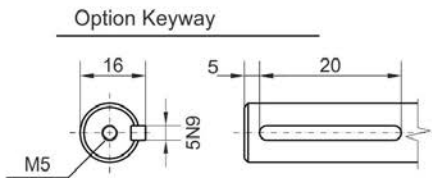


8.3 Dimensions/Radial Forces AKM3 (Ax flanges)

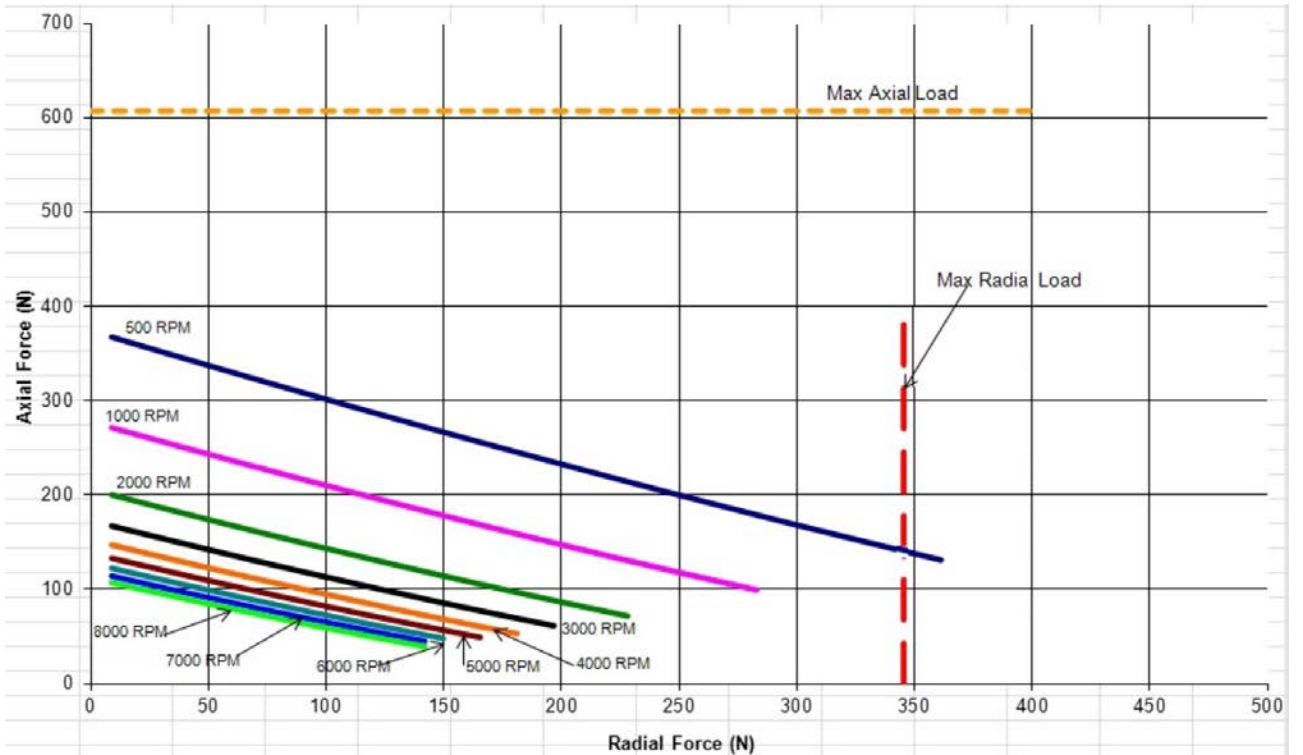
Dimensions with SpeedTec Ready connectors



Model	X	Res/SFD/BiSS/EnDat		Hiperface	
		Y	Z (brake)	Y1	Z (brake)
AKM31	87.9	109.8	141.3	125.3	159.3
AKM32	118.9	140.8	172.3	156.3	190.3
AKM33	149.9	171.8	203.3	187.3	221.3

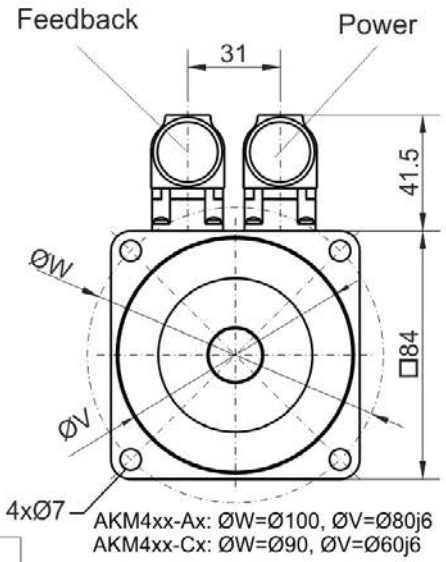
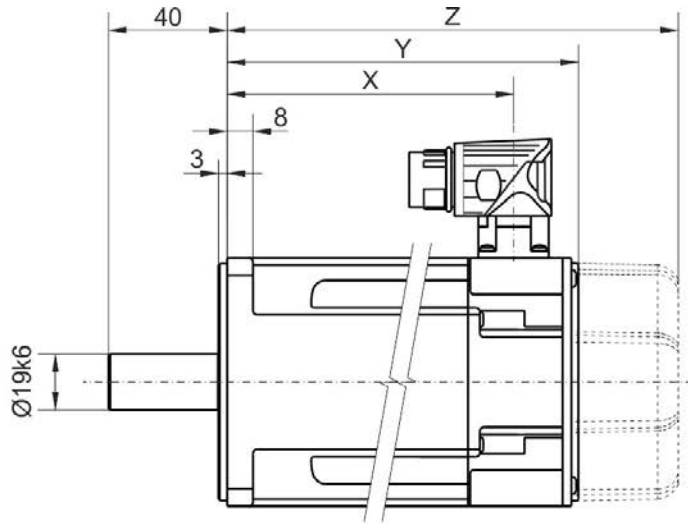


Radial/axial forces at shaft end



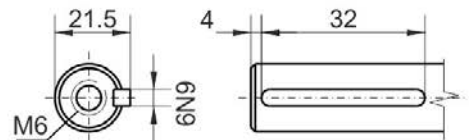
8.4 Dimensions/Radial Forces AKM4 (Ax flanges)

Dimensions with SpeedTec Ready connectors

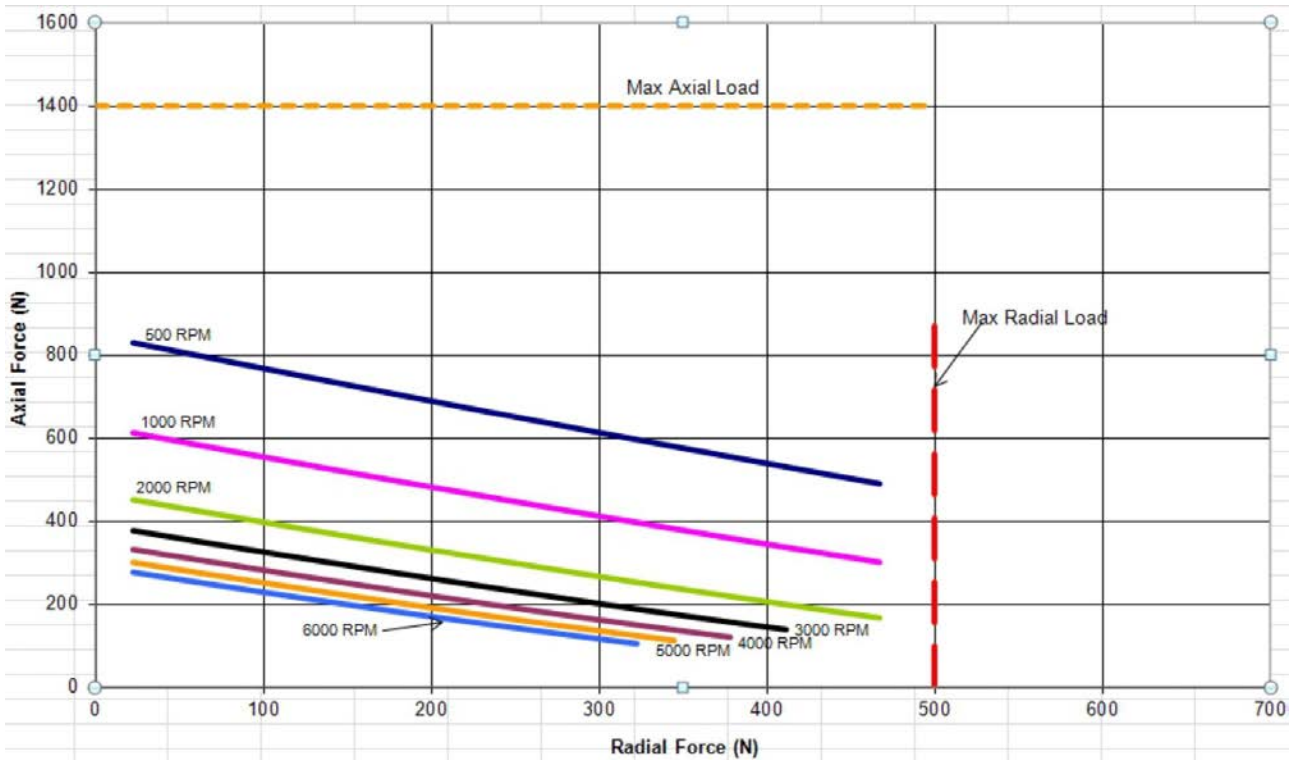


Model	X	Res/SFD/BiSS/ExN		Hiperface		DriveCliq	
		Y	Z(brake)	Y	Z(brake)	Y	Z(brake)
AKM41	96.4	118.8	152.3	136.8	170.3	152.3	170.3
AKM42	125.5	147.8	181.3	165.8	199.3	181.3	199.3
AKM43	154.4	176.8	210.3	194.8	228.3	210.3	228.3
AKM44	183.4	205.8	239.3	223.8	257.3	239.3	257.3

Option Keyway

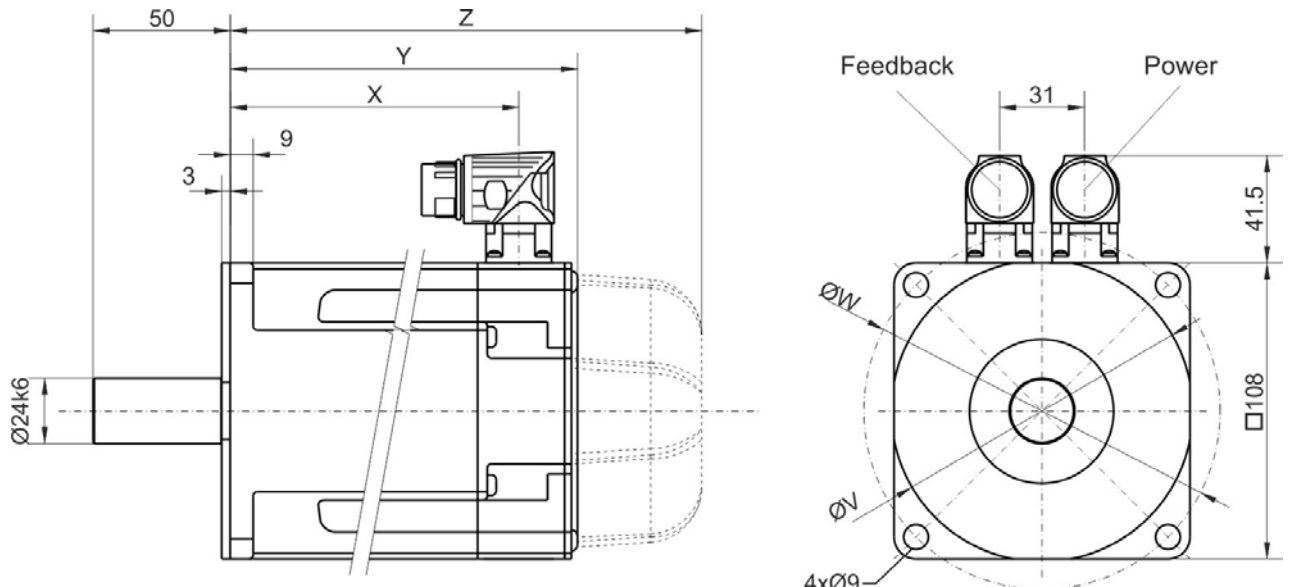


Radial/axial forces at shaft end



8.5 Dimensions/Radial Forces AKM5 (Ax flanges)

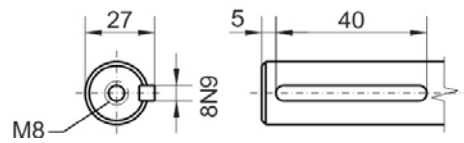
Dimensions with SpeedTec Ready connectors



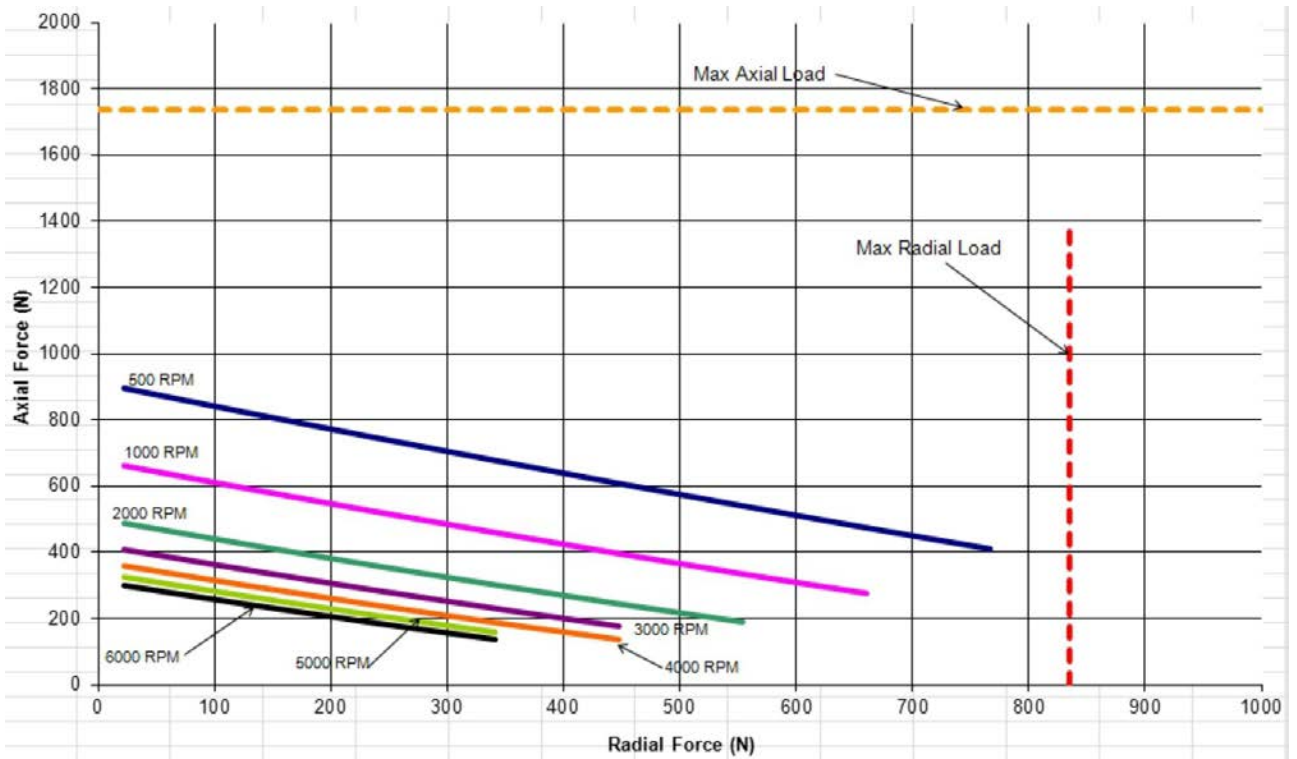
AKM5xx-Ax: ØW=Ø130, ØV=Ø110j6
 AKM5xx-Cx: ØW=Ø115, ØV=Ø95j6

Model	X	Resolver/Comcoder		Encoder/DriveCliq	
		Y	Z (brake)	Y	Z (brake)
AKM51	105.3	127.5	172.5	146.0	189.0
AKM52	136.3	158.5	203.5	177.0	220.0
AKM53	167.3	189.5	234.5	208.0	251.0
AKM54	198.3	220.5	265.5	239.0	282.0

Option Keyway

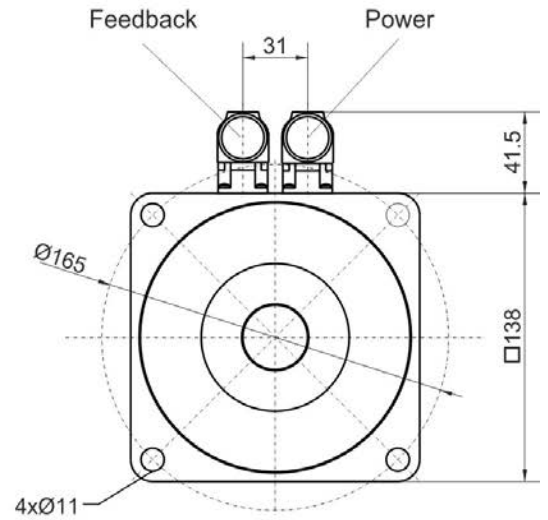
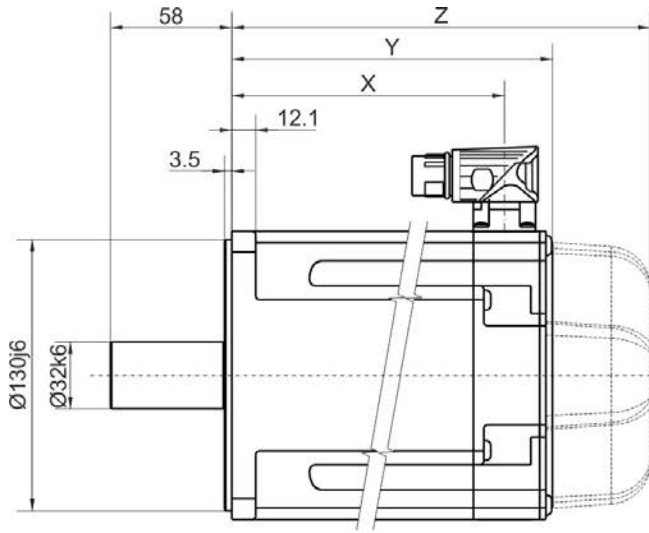


Radial/axial forces at shaft end



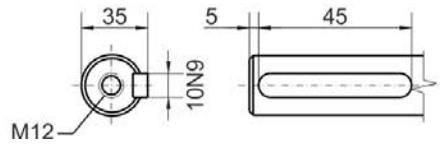
8.6 Dimensions/Radial Forces AKM6 (Ax flanges)

Dimensions with SpeedTec Ready connectors

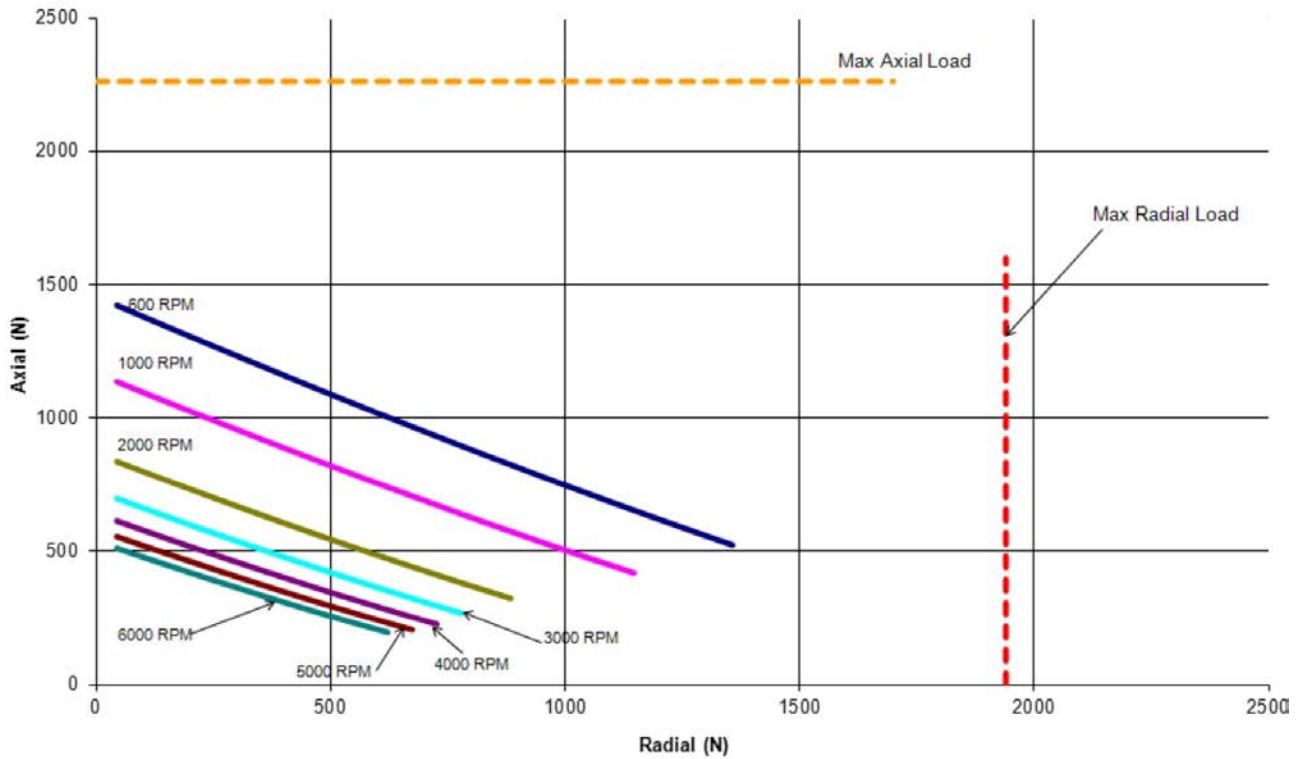


Model	X	Resolver/Comcoder		Encoder/DriveCliqu	
		Y	Z(brake)	Y	Z(brake)
AKM62	130.5	153.7	200.7	172.2	219.7
AKM63	155.5	178.7	225.7	197.2	244.7
AKM64	180.5	203.7	250.7	222.2	269.7
AKM65	205.5	228.7	275.7	247.2	294.7

Option Keyway

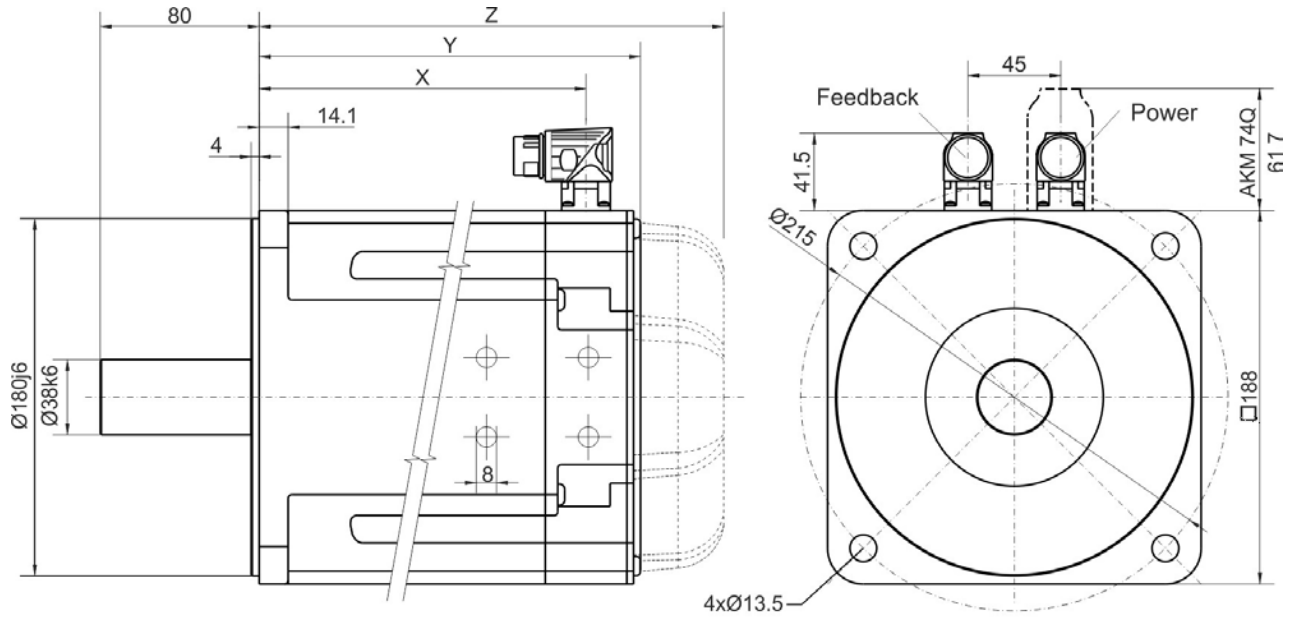


Radial/axial forces at shaft end

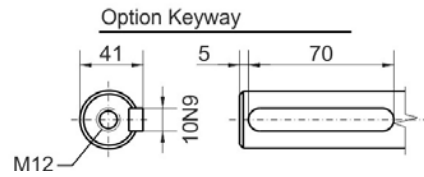


8.7 Dimensions/Radial Forces AKM7 (Ax flanges)

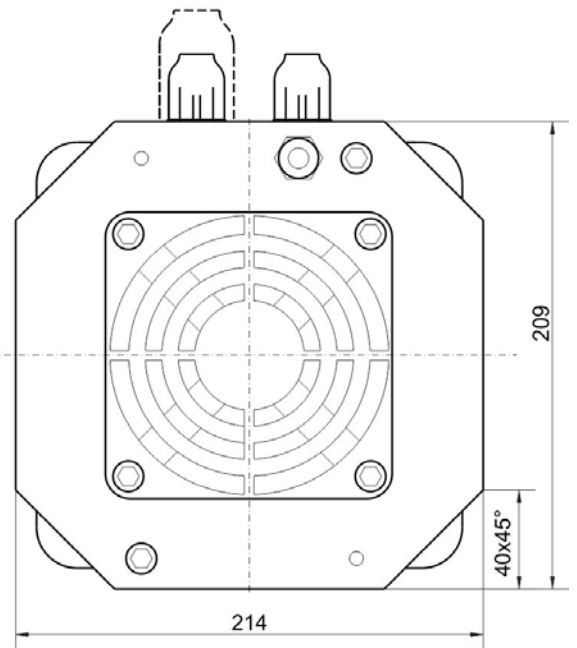
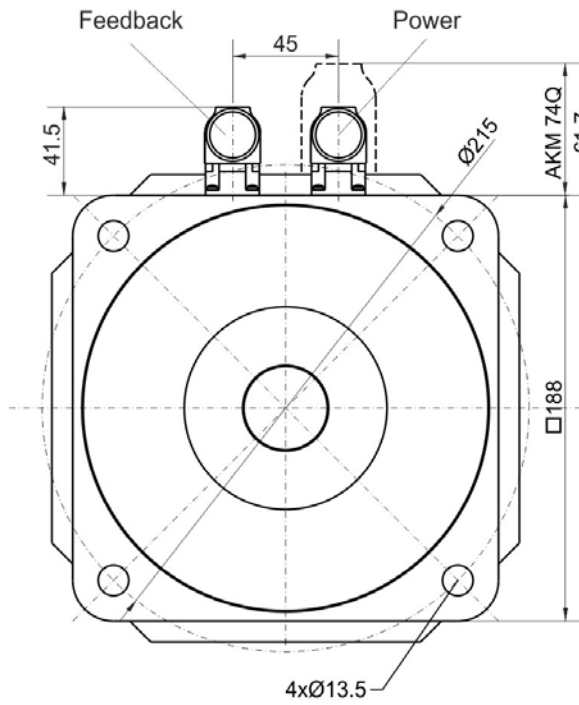
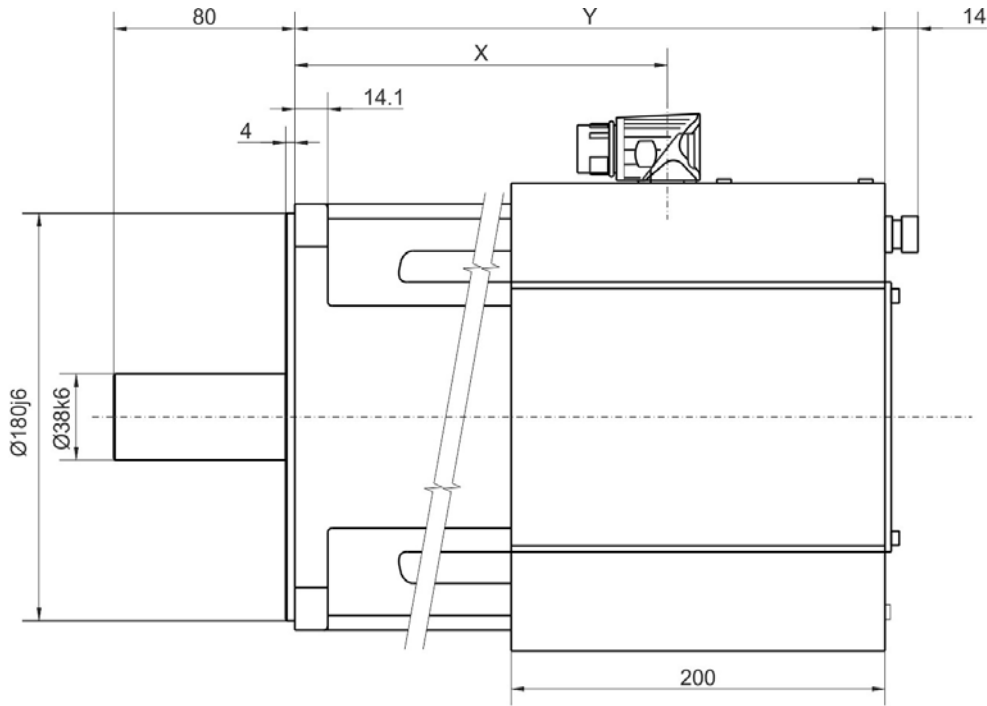
Dimensions standard motor with SpeedTec Ready (or M40 - dotted line) connectors



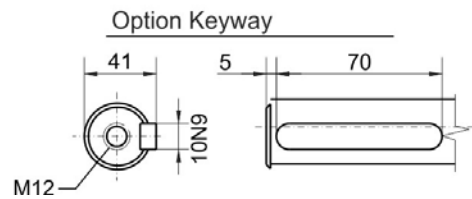
Model	X	Resolver/Comcoder		Encoder/DriveCliq	
		Y	Z (brake)	Y	Z (brake)
AKM72	164.5	192.5	234.5	201.7	253.3
AKM73	198.5	226.5	268.5	235.7	287.3
AKM74	232.5	260.5	302.5	269.7	321.3



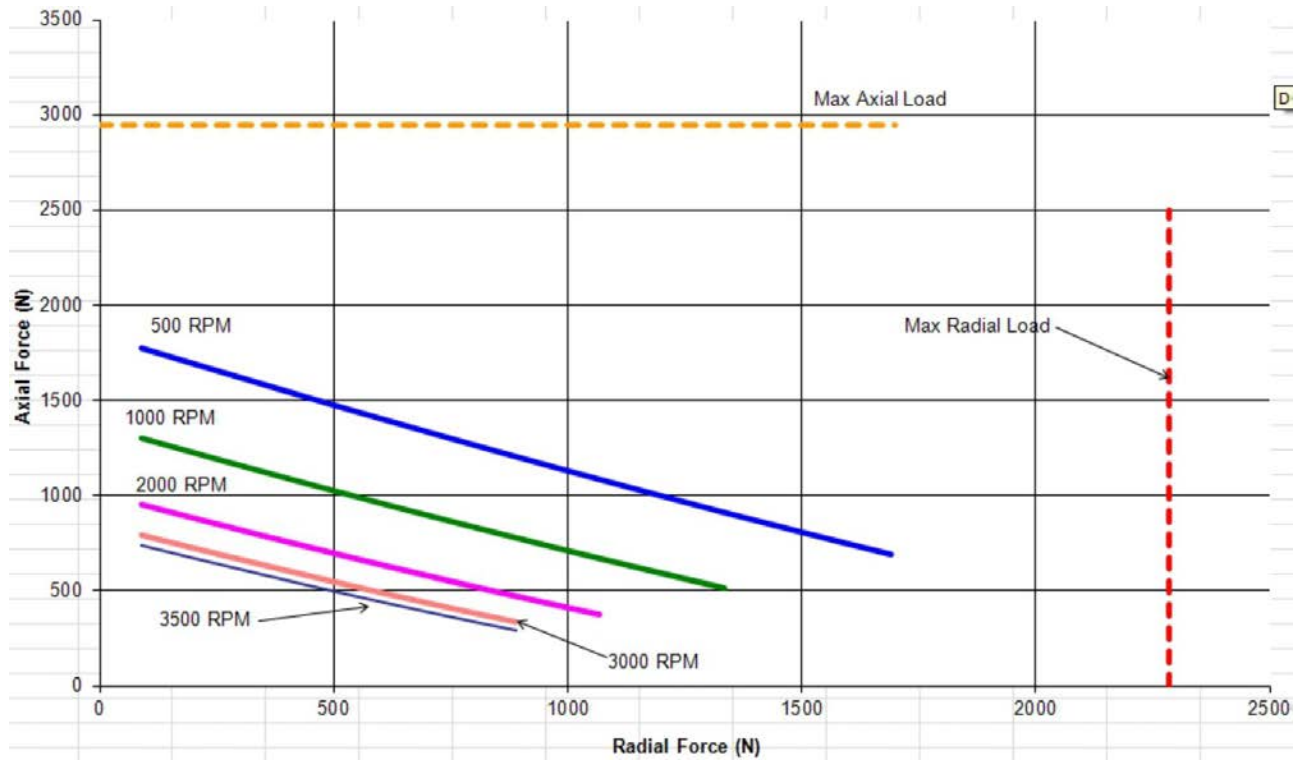
Dimensions with mounted fan kit and SpeedTec Ready (or M40 - dotted line) connectors



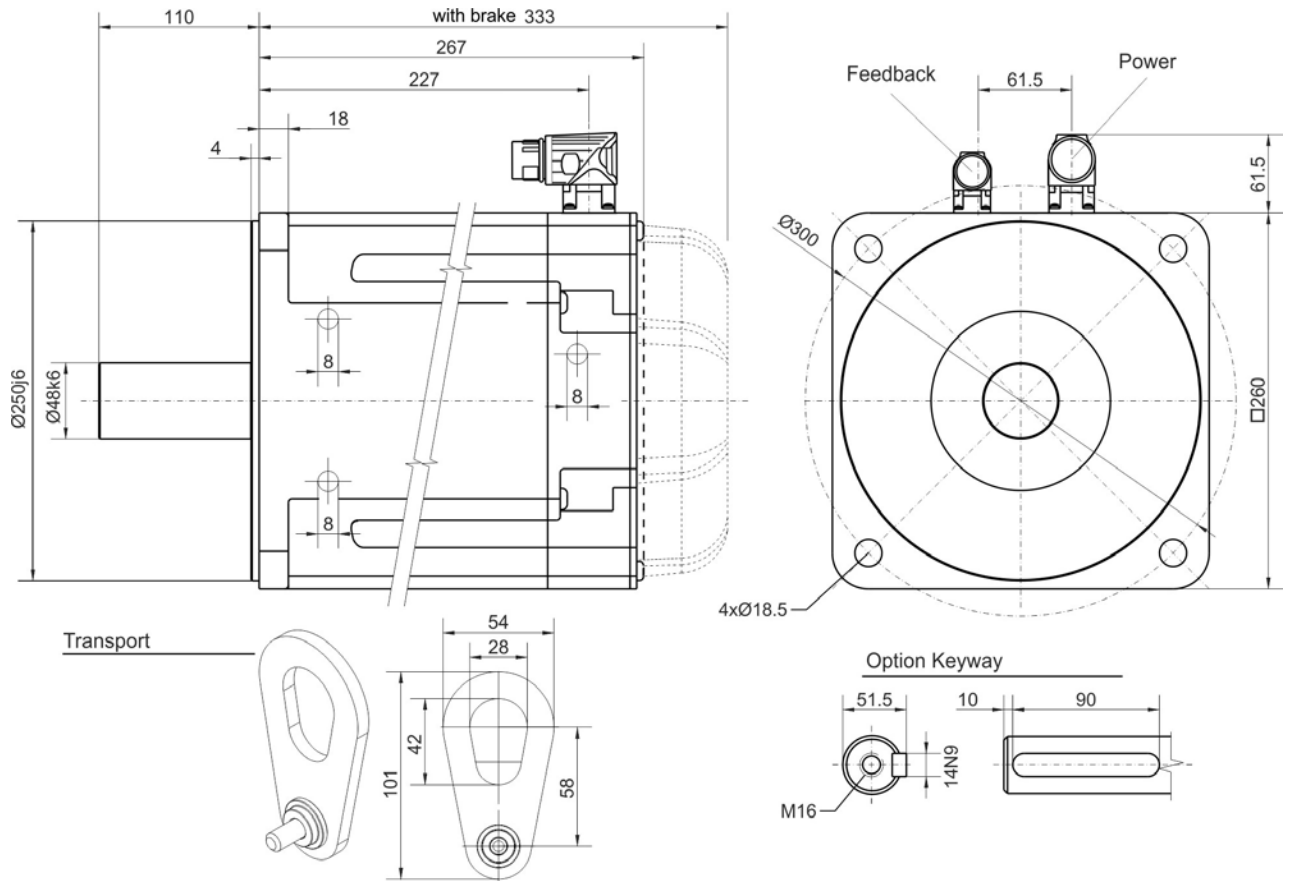
Model	X	Y	Z (brake)
AKM72	164.5	266	318.5
AKM73	198.5	300	352.5
AKM74	232.5	334	386.5



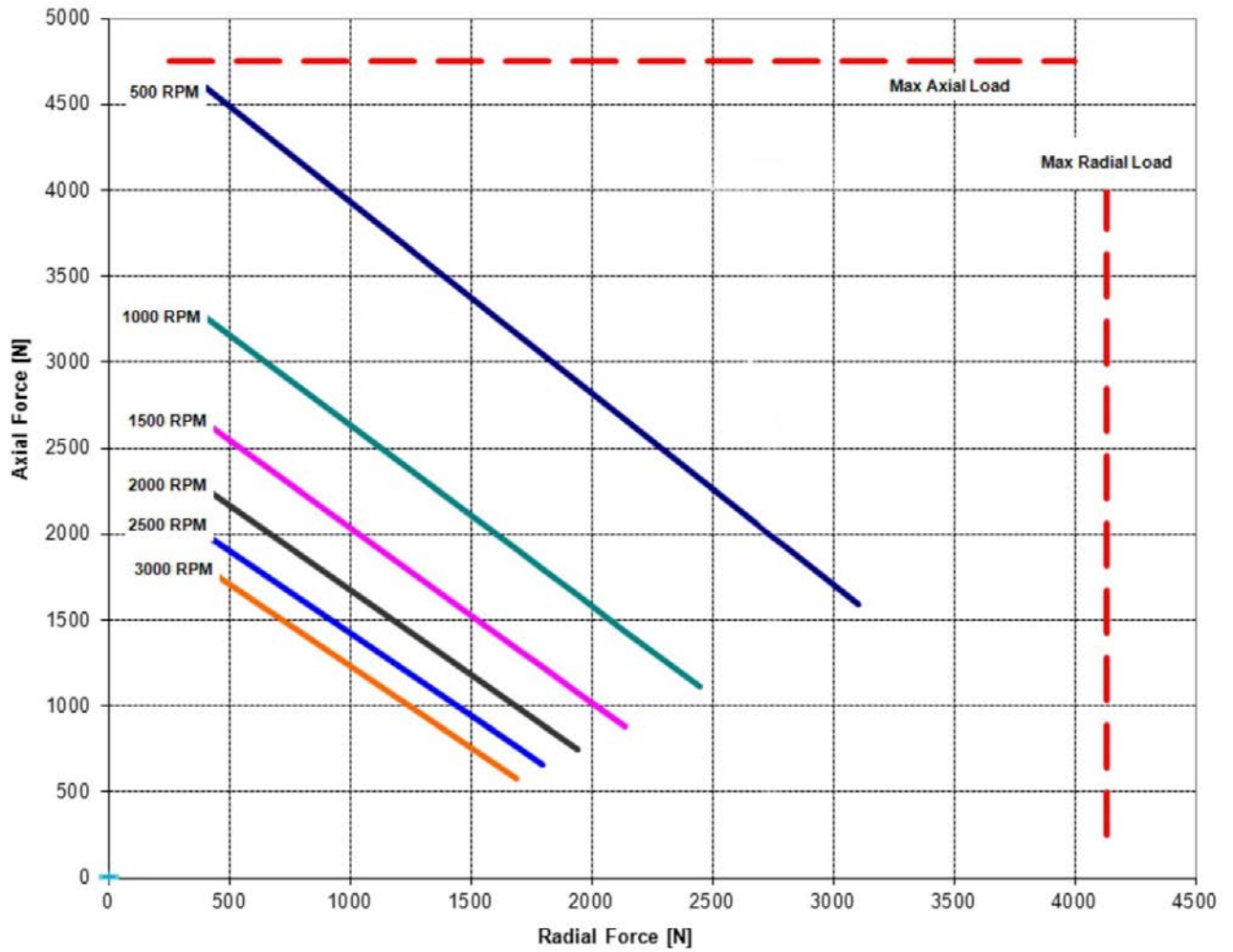
Radial/axial forces at shaft end



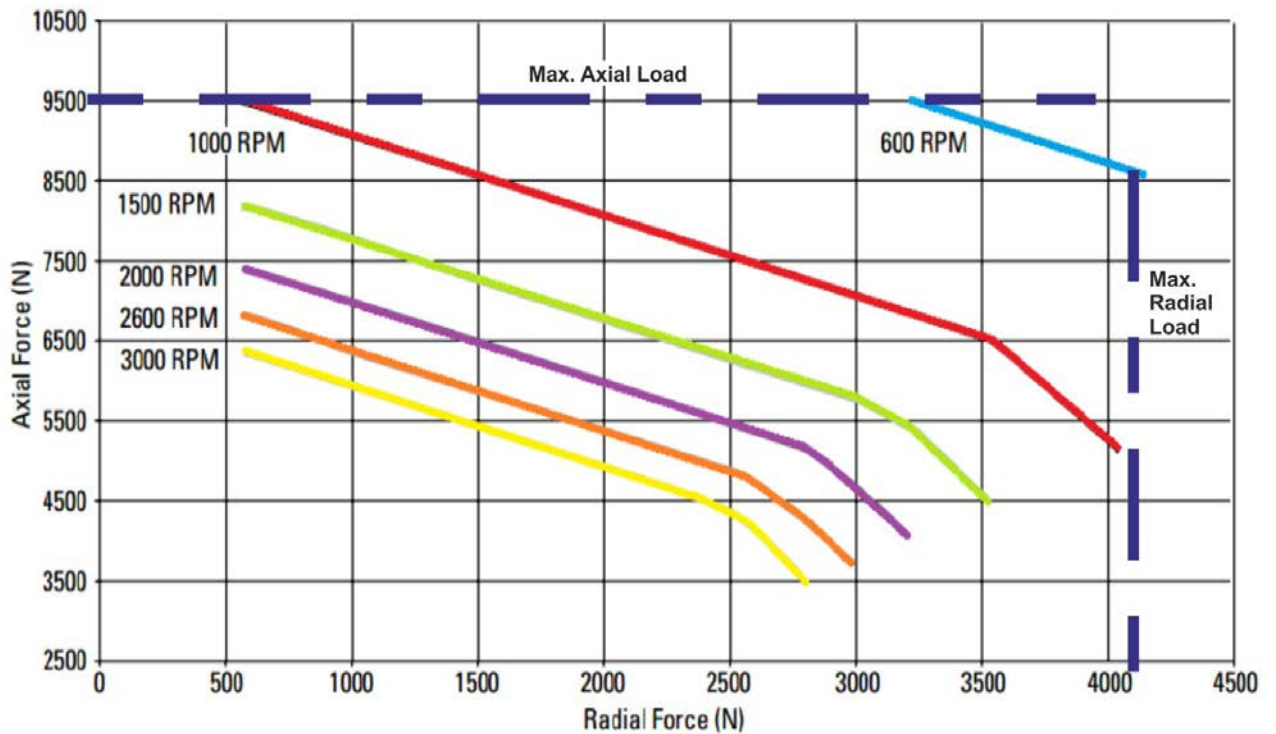
Dimensions with M40 power connector and and SpeedTec Ready feedback connector



Radial/axial forces at shaft end



Radial/axial forces at shaft end with reinforced bearing



9 Connector Pinout

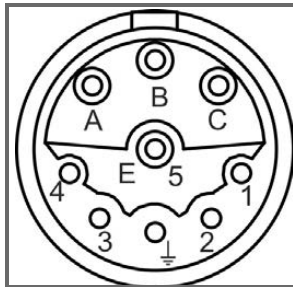
All connector views: facing front. Abbreviations used :


U	Motor phase U	BR	Motor holding brake	Up	Sensor Voltage supply
V	Motor phase V	TH	Thermal sensor	0V	Ground for Sensor Voltage supply
W	Motor phase W	Z	Zero pulse		
PE	Protection Earth	n.c.	not connected		

9.1 Connector codes 1, Y: AKM1	201
9.1.1 Power	201
9.1.2 Resolver (Feedback code R-)	201
9.1.3 ComCoder (Feedback code 1-, 2-)	201
9.1.4 SFD (Feedback code C-)	201
9.1.5 Encoder (Feedback codes GC, GD - S300...S700 drives only)	202
9.2 Connector codes 1, 2, 7, B, C, G, H, T: AKM1 - AKM8	203
9.2.1 Power	203
9.2.2 Resolver (Feedback code R-)	204
9.2.3 SFD (Feedback code C-)	204
9.2.4 Encoder (Feedback codes Ax, Dx, Lx, Gx)	204
9.2.5 ComCoder (Feedback codes 1-, 2-)	204
9.3 Connector code D: AKM1 - AKM6	205
9.3.1 Power & SFD AKM1 (Feedback code C-)	205
9.3.2 Power & SFD AKM2 - AKM6 (Feedback code C-)	205
9.3.3 Power & SFD3 AKM1 (Feedback codes CA)	205
9.3.4 Power & SFD3/DSL AKM2 - AKM6 (Feedback codes CA, GE, GF)	205
9.4 Connector codes R & U: AKM4 - AKM7	206
9.4.1 Power	206
9.4.2 DRIVE-CLiQ (Feedback codes MA, MB)	206

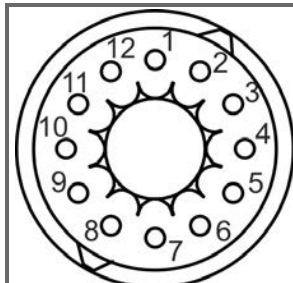
9.1 Connector codes 1, Y: AKM1

9.1.1 Power



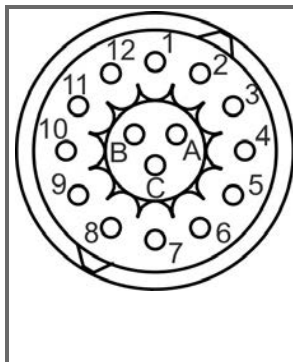
Pin	Function	Pin	Function
1	BR +	A	U
2	BR -	B	W
3	n.c.	C	V
4	n.c.	E	n.c.
5	n.c.		PE

9.1.2 Resolver (Feedback code R-)



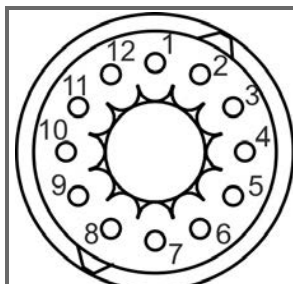
Pin	Function	Pin	Function
1	n.c.	7	S2, cos+
2	TH +	8	S1, sin+
3	S4, cos-	9	R1, ref+
4	S3, sin-	10	n.c.
5	R2, ref-	11	n.c.
6	TH -	12	n.c.

9.1.3 ComCoder (Feedback code 1-, 2-)



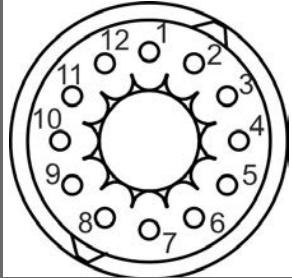
Pin	Function	Pin	Function
1	B +	9	TH -
2	B -	10	Up
3	A +	11	n.c.
4	A -	12	n.c.
5	Z +	A	Hall U
6	Z -	B	Hall V
7	0V	C	Hall W
8	TH +		

9.1.4 SFD (Feedback code C-)



Pin	Function	Pin	Function
1	Up	7	n.c.
2	0V	8	n.c.
3	Data -	9	n.c.
4	Data +	10	n.c.
5	n.c.	11	n.c.
6	n.c.	12	n.c.

9.1.5 Encoder (Feedback codes GC, GD - S300...S700 drives only)

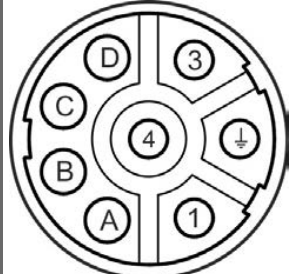
	<table border="1"> <thead> <tr> <th>Pin</th> <th>Function</th> <th>Pin</th> <th>Function</th> </tr> </thead> <tbody> <tr> <td>1</td> <td>TH +</td> <td>7</td> <td>Data -</td> </tr> <tr> <td>2</td> <td>TH -</td> <td>8</td> <td>Sin +</td> </tr> <tr> <td>3</td> <td>n.c.</td> <td>9</td> <td>Cos +</td> </tr> <tr> <td>4</td> <td>Sin -</td> <td>10</td> <td>Up</td> </tr> <tr> <td>5</td> <td>Cos -</td> <td>11</td> <td>0V</td> </tr> <tr> <td>6</td> <td>Data +</td> <td>12</td> <td>n.c.</td> </tr> </tbody> </table>	Pin	Function	Pin	Function	1	TH +	7	Data -	2	TH -	8	Sin +	3	n.c.	9	Cos +	4	Sin -	10	Up	5	Cos -	11	0V	6	Data +	12	n.c.
Pin	Function	Pin	Function																										
1	TH +	7	Data -																										
2	TH -	8	Sin +																										
3	n.c.	9	Cos +																										
4	Sin -	10	Up																										
5	Cos -	11	0V																										
6	Data +	12	n.c.																										

9.2 Connector codes 1, 2, 7, B, C, G, H, T: AKM1 - AKM8


Model	Connector code (PTC)	Connector code (KTY 84-130)
AKM1	C	7
AKM2	B, C	1, 7
AKM3 - AKM7	C	1
AKM2 - AKM6	G	-
AKM7, AKM82T	H	1
AKM8	T	2

9.2.1 Power

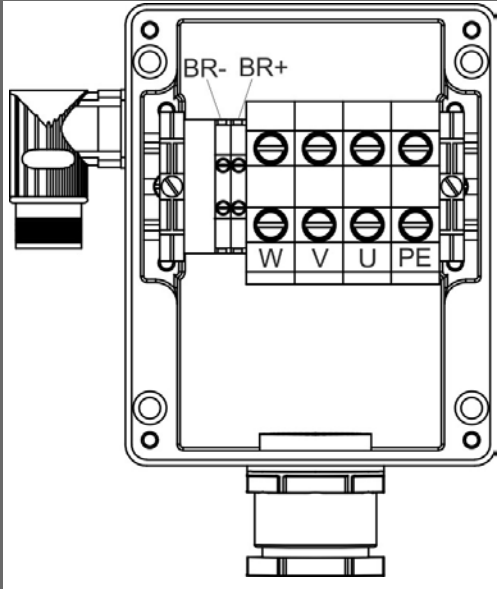
Connector codes 1, 7, B, C, G for AKM1 - AKM7

		Pin	Function	Pin	Function
		1	U	A	BR +
		⊥	PE	B	BR -
		3	W	C	n.c.
		4	V	D	n.c.

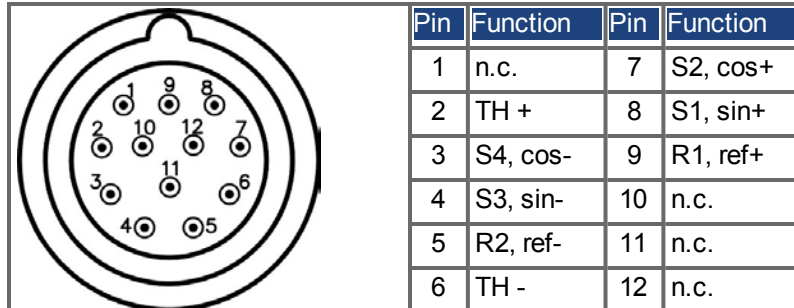
Connector code 1, H for AKM7, AKM82T

		Pin	Function	Pin	Function
		U	U	+	BR +
		V	V	-	BR -
		W	W		
		⊥	PE		

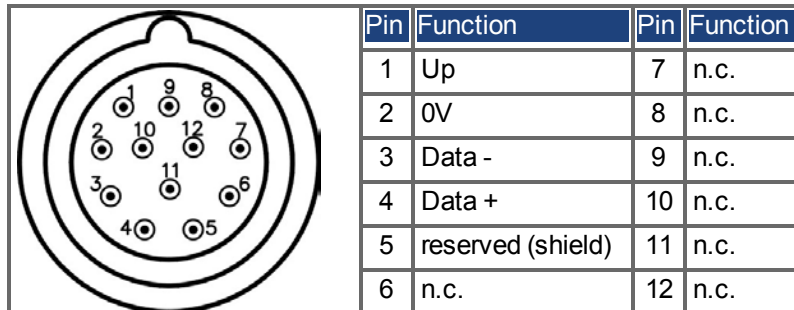
Connector code 2, T for AKM8

		Terminal	Function	Terminal	Function
		U	Phase U	BR -	Brake -
		V	Phase V	BR +	Brake +
		W	Phase W	PE	Protective Earth

9.2.2 Resolver (Feedback code R-)

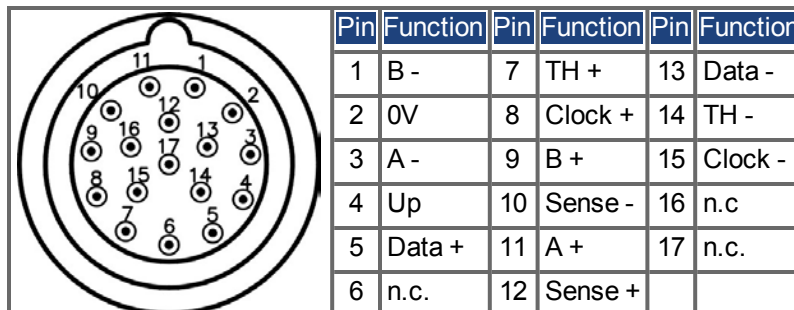


9.2.3 SFD (Feedback code C-)

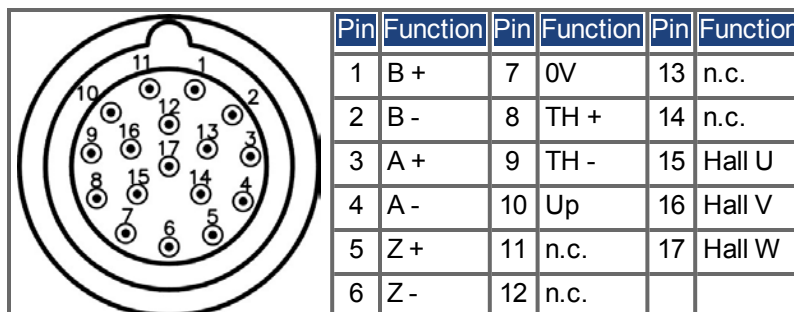


9.2.4 Encoder (Feedback codes Ax, Dx, Lx, Gx)

Model	Feedback code
AKM1	GC (Sx Drives), GD (Sx Drives)
AKM2 - AKM7	AA, AB, DA, DB, LA, LB, GA (Sxyz Drives), GJ/GM (AKD Drives), GB (Sxyz Drives), GK/GN (AKD Drives)

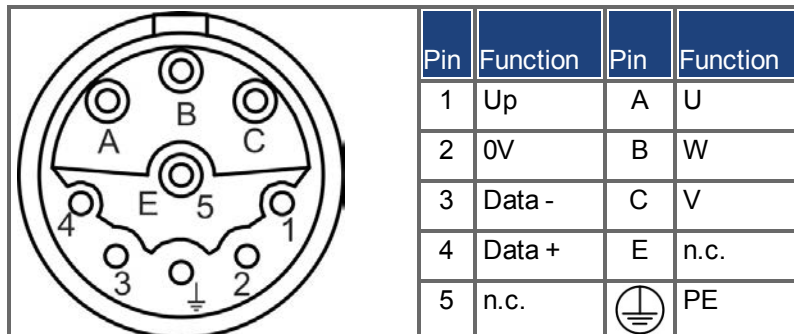


9.2.5 ComCoder (Feedback codes 1-, 2-)

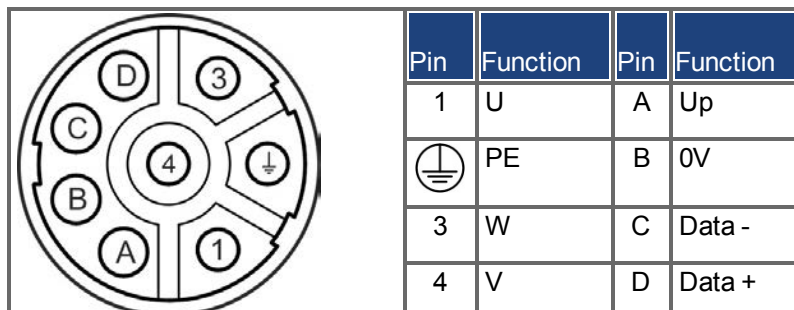


9.3 Connector code D: AKM1 - AKM6

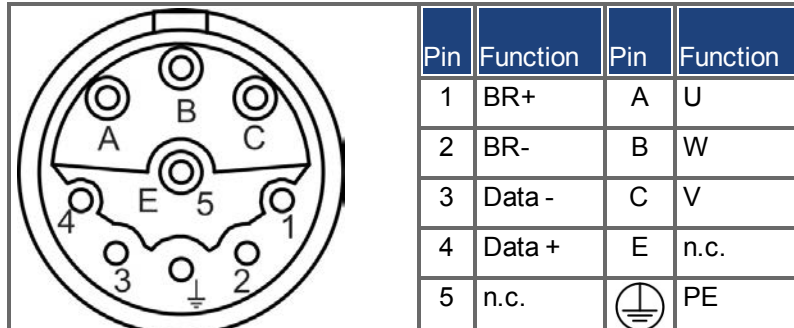
9.3.1 Power & SFD AKM1 (Feedback code C-)



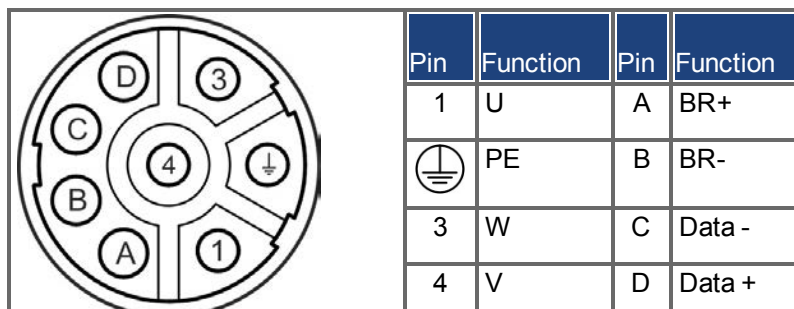
9.3.2 Power & SFD AKM2 - AKM6 (Feedback code C-)



9.3.3 Power & SFD3 AKM1 (Feedback codes CA)




9.3.4 Power & SFD3/DSL AKM2 - AKM6 (Feedback codes CA, GE, GF)



9.4 Connector codes R & U: AKM4 - AKM7

9.4.1 Power

Pin	Function	Pin	Function
1	U	4	BR +
2	V	5	BR -
	PE	6	W

9.4.2 DRIVE-CLiQ (Feedback codes MA, MB)

Pin	Function	Pin	Function
1	Up	5	0V
2	n.c.	6	TXN
3	RXP	7	TXP
4	RXN	8	n.c.

10 Approvals

Certificates can be found in our Product WIKI on the [Approvals](#) page.

10.1	Conformance with UL	208
10.2	Conformance with CE	208
10.3	Conformance with EAC	208
10.4	Conformance with RoHS	208
10.5	Conformanced with REACH	208

10.1 Conformance with UL

Recognized for USA and Canada in **File E61960**.

10.2 Conformance with CE

The motors have been tested by an authorized testing laboratory in a defined configuration. Any divergence from the configuration and installation described in this documentation means that the user will be responsible for carrying out new measurements to ensure conformance with regulatory requirements.

NOTICE

Feedback systems and contacts must not be tested with high voltage. Feedback systems are not suitable for high voltage testing, it is allowed to exclude sensitive electronic components from these tests. Feedback systems might be destroyed during a high voltage test.

NOTE

CE Declaration of Conformity can be found on the Kollmorgen website.

Kollmorgen declares the conformity of the product series AKM with the following directives:

- **EC Directive 2014/35/EU, Low voltage**
- **EC Directive 2014/30/EU, Electromagnetic compatibility**

10.3 Conformance with EAC

EAC is the abbreviation for EurAsian Conformity. The mark is used in the states of the Eurasian Customs Union (Russia, Belarus, Kazakhstan) similar to the European CE mark.

Kollmorgen declares, that the AKM has passed all required conformity procedures in a member state of the Eurasian Customs Union, and that the AKM meets all technical requirements requested in the member states of the Eurasian Customs Union :

- Low voltage (TP TC 020/2011)
- Electromagnetic Compatibility (TP TC 004/2011)

Contact in Russia:

Intelligence Automatics LLC. , Bakuninskaya Str. d 14, Building 1, RU-105005 Moskau

10.4 Conformance with RoHS

Directive 2011/65/EC of the European Union on the restriction of the use of certain hazardous substances in electrical and electronic equipment (RoHS) became operative as from the 3rd of January, 2013. Following substances namely are involved

Lead (Pb), Cadmium (Cd), Hexavalent chromium (CrVI), Polybrominated biphenyls (PBB), Polybrominated diphenyl ethers (PBDE), Mercury (Hg)

The AKM motor series is manufactured RoHS conformal.

10.5 Conformed with REACH

EU Regulation no. 1907/2006 deals with the registration, evaluation, authorisation and restriction of chemical substances 1 (abbreviated to "REACH").

AKM motors do not contain any substances (CMR substances, PBTsubstances, vPvB substances and similar hazardous substances stipulated in individual cases based on scientific criteria) above 0.1 mass percent per product that are included on the candidate list.

11 Record of document revisions

Revision	Remarks
01 / 2009	First multilingual edition
06 / 2010	Appendix renamed to Drawings, AKM8 added, symbols according to ANSI Z535, Hiperface added, minor corrections, technical data moved to appendix, new windings for AKM4 to 7, radial-/axial force diagrams new for AKM1 to 8
10 / 2010	Transport tool order information, wiring diagrams updated for H connector
12 / 2010	Weight data AKM8, derating AKM8, DIN 748 => EN 50347, company name&address
04 / 2011	Washdown Variants, some minor corrections, climate categories, flange temperature limit
12 / 2011	EnDat encoders RoHS compliant, SFD combi connector option "D", GOST-R certificate, AKM8 dimensions corrected, AKM7 transport, Washdown Food
03 / 2012	AKM3: FRmax corrected, Washdown Food information extended, peak current/torque data AKM1 to AKM7 updated
08 / 2012	AKM 1 extended options, wiring diagrams removed, connector pinout section added, KTY thermal sensor version added, CE certificate, part number scheme extended
04 / 2013	Brake data, y-tec power pinout corrected, AKM 7 fan option, i-tec connector new, KTY thermal sensor version updated
04 / 2014	Hint for 65°C max. flange temp. removed, data 65M 480V updated, SpeedTec Ready connector for AKM4 to 7 (dimension drawings updated), AKM83V added
06 / 2014	Layout change, 6 languages version
11 / 2014	Technical data Peak Current Sym/Unit corrected, AKM72Q/73Q with fan added, connector option H extended for AKM7xQ, data AKM83V updated, connector option D: SFD(PTC)/SFD3-DSL(KTY), certificates removed, GOST-R removed
12 / 2014	Technical data holding brakes updated, Connector-Feedback relationship table new
04 / 2015	EAC certification, connector/feedback tables optimized, Molex connectors removed, shaft seal run-in added, FR/FA diagram for AKM8 with enforced bearing added, AKM 2/3 SpeedTec connectors, RoHS and REACH statements added
09 / 2015	Back cover page updated, DriveCLiQ feedback added, Washdown information updated (flanges), AKM64Q data (R, L) corrected, Safety feedback devices added, Connector-Feedback table updated, y-tec Comcoder pinout new
05 / 2016	Feedbacks GM/GN/GP/GR mapped for AKD only, DriveCLiQ power connector updated, shaft seal notes, LVD 2014/35/EU, EMCD 2014/30/EU, IP protection class updated, SpeedTec connector drawing updated, AKM and Washdown mating connectors added, keyway standard added
01 / 2017	Option KTY83-110 added, Washdown installation and mating connectors updated, AKM1 dimensions updated, DriveCLiQ dimensions added, Brake specification updated, Brake and feedback derating updated, Hybrid cable option updated,

About KOLLMORGEN

Kollmorgen is a leading provider of motion systems and components for machine builders. Through world-class knowledge in motion, industry-leading quality and deep expertise in linking and integrating standard and custom products, Kollmorgen delivers breakthrough solutions that are unmatched in performance, reliability and ease-of-use, giving machine builders an irrefutable marketplace advantage.

For assistance with your application needs, visit www.kollmorgen.com or contact us at:

North America

KOLLMORGEN

203A West Rock Road
Radford, VA 24141 USA

Web: www.kollmorgen.com

Mail: support@kollmorgen.com

Tel.: +1 - 540 - 633 - 3545

Fax: +1 - 540 - 639 - 4162

Europe

KOLLMORGEN Europe GmbH

Pempelfurtstraße 1
40880 Ratingen, Germany

Web: www.kollmorgen.com

Mail: technik@kollmorgen.com

Tel.: +49 - 2102 - 9394 - 0

Fax: +49 - 2102 - 9394 - 3155

China & Southeast Asia

KOLLMORGEN

Rm 202, Building 3, Lane 168, Linhong
Rd
Changning District, Shanghai, China

Web: www.kollmorgen.cn

Mail: sales.china@kollmorgen.com

Tel.: +86 - 400 - 661 - 2802

Fax: +86 - 21 - 6071 - 0665

KOLLMORGEN[®]

Because Motion Matters™